



FIT-LINE[®]
GLOBAL

NexusConnect[®]

ULTRA HIGH PURE PFA INSERT FITTINGS



For more information, please visit: Fit-LineGlobal.com



TABLE OF CONTENTS

Nexus Connect Introduction	3	Male Run Tee (Male x Male x MNPT)	27
Integrated Gauge Ring	4	Female Branch Tee (Male x FNPT x Male)	28
Sleeve Positions & Tube Length	5	Union Tee (Male x Male x Male)	28
Acceptable Operating Range	6	Union Tee Reducer (Male x Male x Male)	29
Ordering Info—Pipe Thread Connectors/Unions	7	Union Tee (TightINSERT) Branch (Male x Female x Male)	30
Ordering Info—Weld Connectors/Nuts & Sleeves	8	Union Tee (TightINSERT) Run (Male x Male x Female)	31
Male Connector (Male x MNPT)	9	Union Tee (TightINSERT) Branch-Run (Male x Female x Female)	32
Male Connector (JIS) (Male x JIS)	10	Union Tee (TightINSERT) Run-Run (Female x Male x Female)	33
Male Connector (TightINSERT) (Female x MNPT)	11	Union Tee (TightINSERT) All (Female x Female x Female)	34
Male Connector Panel Mount (Male x MNPT)	12	Union Tee Reducer (TightINSERT) All (Female x Female x Female)	34
Female Connector (Male x FNPT)	13	Union Cross (Male x Male x Male x Male)	35
Straight Union (Male x Male)	14	Union Cross Reducer (Male x Male x Male x Male)	35
Straight Union Reducer (Male x Male)	14	Sleeve	36
Straight Union Adapter (TightINSERT) (Male x Female)	15	Cap	36
Tube Union (TightINSERT) (Female x Female)	15	Cap Sleeve	36
Straight Union Panel Mount (Male x Male)	16	Insert Nut	37
Straight Union Panel Mount Reducer (Male x Male)	16	Panel Mount Nut	37
Male Reducer (TightINSERT) (Female x Male)	17	Gauge Ring	37
Male Increaser (TightINSERT) (Female x Male)	17	Weld Straight Connector (Pipe x Male)	38
Male Elbow (Male x MNPT)	18	Weld Straight Connector (TightINSERT) (Pipe x Female)	39
Male Elbow (JIS) (Male x JIS)	19	Weld Straight Connector (Tube x Male)	40
Male Elbow (TightINSERT) (Female x MNPT)	20	Weld Elbow Connector (Tube x Male)	41
Female Elbow (Male x FNPT)	20	Weld Elbow Connector (TightINSERT) (Tube x Female)	41
Union Elbow (Male x Male)	21	Weld Tee Connector (Tube x Male x Tube)	42
Union Elbow Reducer (Male x Male)	21	Weld Tee Connector (TightINSERT) (Tube x Female x Tube)	42
Union Elbow (TightINSERT) (Male x Female)	22	Weld Cross Connector (Male x Tube x Male x Tube)	43
Union Elbow Reducer (TightINSERT) (Male x Female)	22	Transition Fittings (Male Nexus x Female Flare, Transition Elbow)	44
Union Elbow (TightINSERT) All (Female x Female)	23	Transition Fittings (Male Flare x Female Nexus, Transition Elbow)	45
Union Elbow Reducer (TightINSERT) All (Female x Female)	23	Nexus Connect Tube Assembly System	46
Union Elbow Sweep (Male x Male)	24	Nexus Connect Torque Wrench System	47
Union Elbow Sweep (TightINSERT) (Male x Female)	24	Torque Wrench System Operating Instructions	48
Union Elbow Sweep (TightINSERT) All (Male x Female)	25	The Fit-Line Global Story	49
Union Elbow Panel Mount (Male x Male)	25	Warranty & Goods	51
Male Branch Tee (Male x MNPT x Male)	26		



ROBUST HIGH-PURITY PFA FITTINGS FOR CORROSIVE CHEMICAL APPLICATION

Nexus Connect fittings are designed and manufactured to Fit-Line Global's high quality requirements to ensure safe, reliable, leak-free connections. As a result, they are a strong choice for use in high-purity and corrosive chemical semiconductor applications.

FEATURES AND BENEFITS

- **High Purity Components**
All components are molded from virgin ultra-high purity PFA material and cleaned using a proprietary 5-stage washing system within a certified class 1000 clean room.
- **Temperature**
All sizes 1/4" through 1" are capable of 392°F (200°C) rating.
- **Ease of Assembly**
Integrated Gauge Rings ensure proper tightening torque for repeatable fitting makeup.
- **Packaging**
Each fitting is double poly bagged inside a certified class 1000 clean room per SEMI 57-0120.
- **Traceability**
Fittings are traceable from raw material, manufacturing, to packaging, per SEMI 57-0120. Each fitting is labeled with part number, description, and lot number.

SEMICONDUCTOR APPLICATIONS

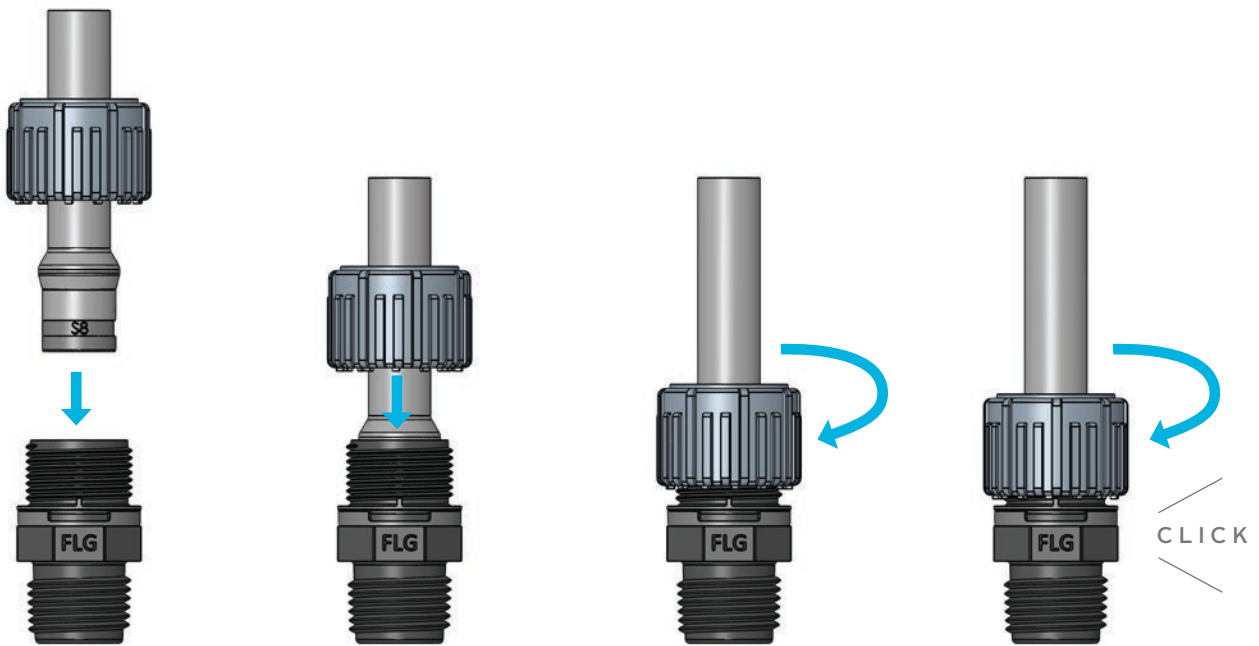
- Bulk chemical and slurry delivery
- Chemical and slurry blend and distribution
- Chemical-Mechanical Polishing (CMP)
- High-temperature wet deaning processes
- Photolithography
- Wet etching

FEATURES AND BENEFITS

- **Ease of Assembly**
Audible “click” is heard when proper tightening torque is achieved.
- **Ensures proper tightening torque of insert nut during assembly, without use of extra equipment.**
- **Prevents insert nut from being overtightened during assembly.**
- **Adaptable to machined fittings & valves using the NEXUS Connect fitting end.**
(*See Fit-Line Sales for licensing agreement options for your product)

ASSEMBLY INSTRUCTIONS

Image shows suggested assembly instruction steps.



STEP 1:
INSERT
TUBING

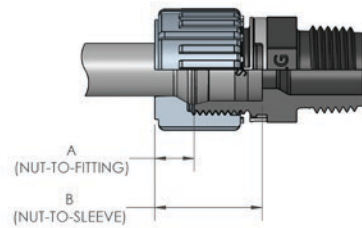
STEP 2:
SLIDE NUT
ONTO FITTING

STEP 3:
TIGHTEN NUT
BY HAND

STEP 4:
TIGHTEN NUT WITH
WRENCH UNTIL
“CLICK” IS HEARD

NUT & SLEEVE POSITIONS

This table details nut position relative to the fitting and sleeve position relative to the nut per fitting size.



Nut & Sleeve Positions		
Fitting Size	A	B
1/4"	.30	.68
3/8"	.32	.83
1/2"	.38	1.02
3/4"	.44	1.23
1"	.46	1.44

TUBE LENGTH CALCULATION

The following formulas define how to calculate the required tubing length when either nut-to-nut or fitting-to-fitting dimensions are known. Minimum tube lengths per fitting size are also defined in this table for reference.

Min Tube Length	
Fitting Size	L (Min)
1/4"	1.29
3/8"	1.49
1/2"	1.83
3/4"	2.11
1"	2.55

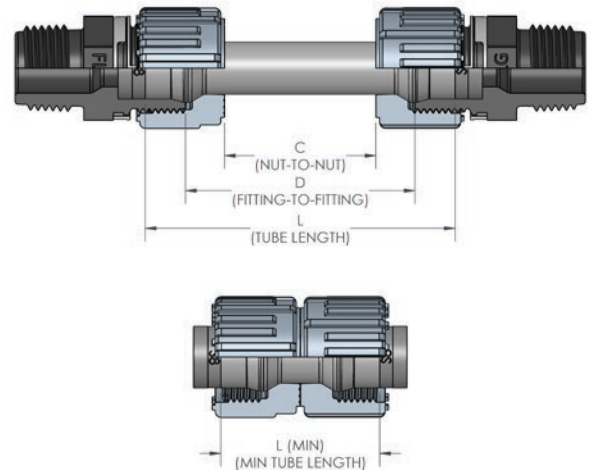
EQUATIONS

Nut-to-Nut: $L = C + 2B$

Fitting-to-Fitting: $L = D + 2B - 2A$

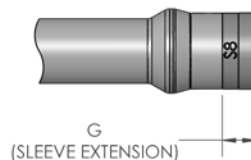
EXAMPLE

- Fitting Size = 1/2"
A = .38, B = 1.02
- Measure Dim (Fitting-to-Fitting)
D = 2.00
- Calculate Length
 $L = D + 2B - 2A$
 $= 2.00 + 2(1.02) - 2(.38)$
L = 3.28

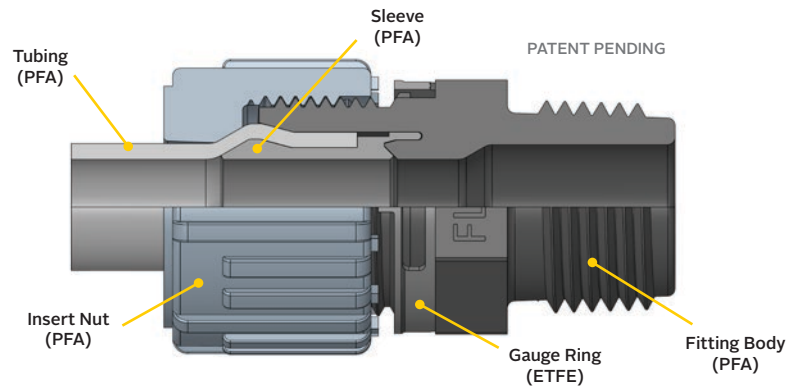


SLEEVE EXTENSION

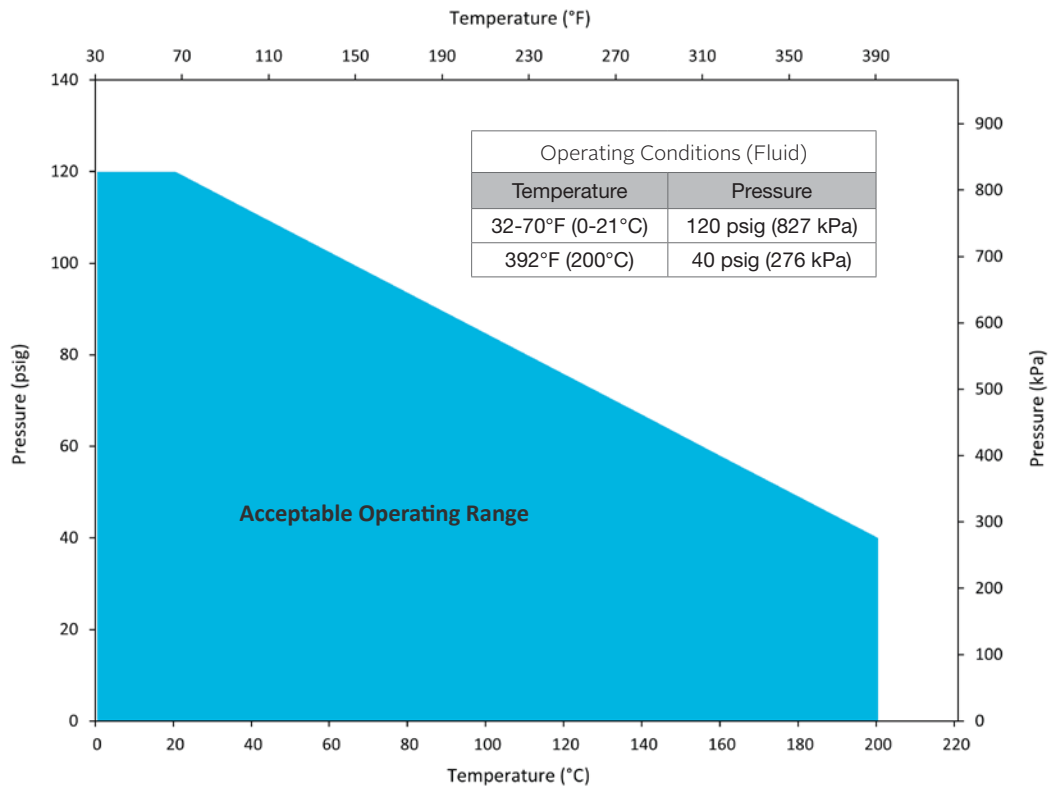
The sleeve will extend from the tubing after it is inserted. The table below shows the sleeve extension per fitting size. The dimensions in this table include length reduction of the tubing and can be used to reference final sleeve position after insertion.



Sleeve Extension	
Fitting Size	G
1/4"	.07
3/8"	.13
1/2"	.17
3/4"	.20
1"	.24



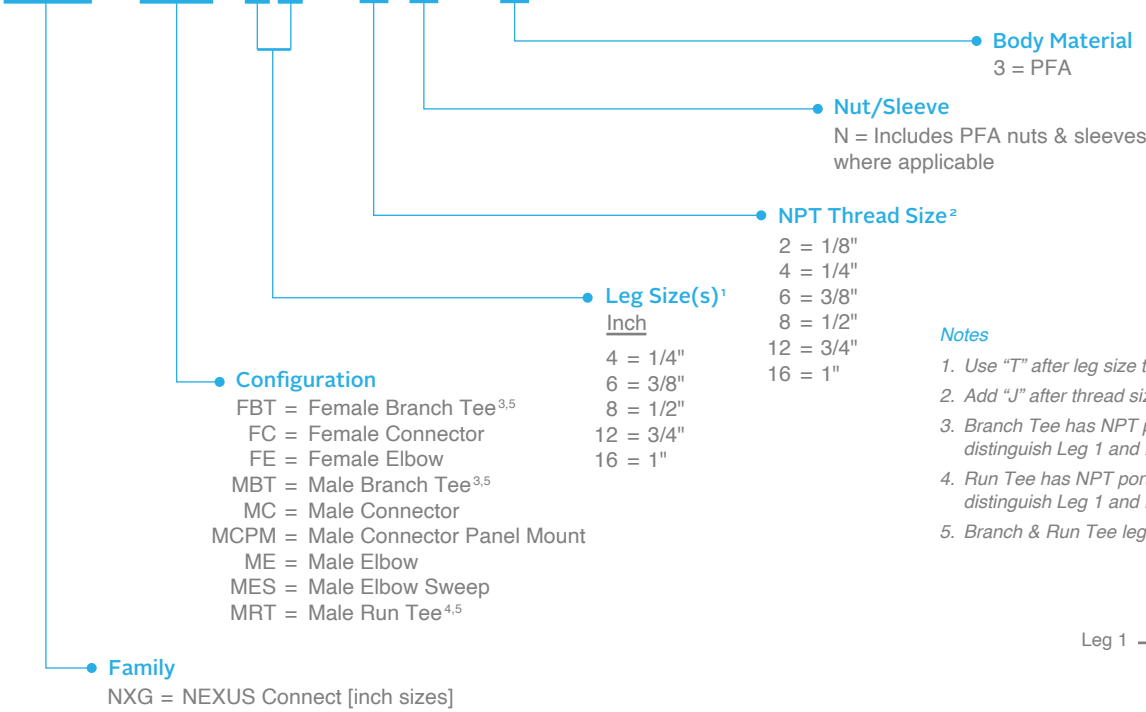
ACCEPTABLE OPERATING RANGE



Acceptable PFA Tube Dimensions		
Tube Size	O.D.	Thickness
1/4" x 5/32"	.250 ± .004	.047 ± .004
3/8" x 1/4"	.375 ± .005	.063 ± .005
1/2" x 3/8"	.500 ± .005	.063 ± .005
3/4" x 5/8"	.750 ± .005	.063 ± .005
1" x 7/8"	1.000 ± .008	.063 ± .005

PIPE THREAD CONNECTORS:

NXG - FBT 88 - 8 N - 3



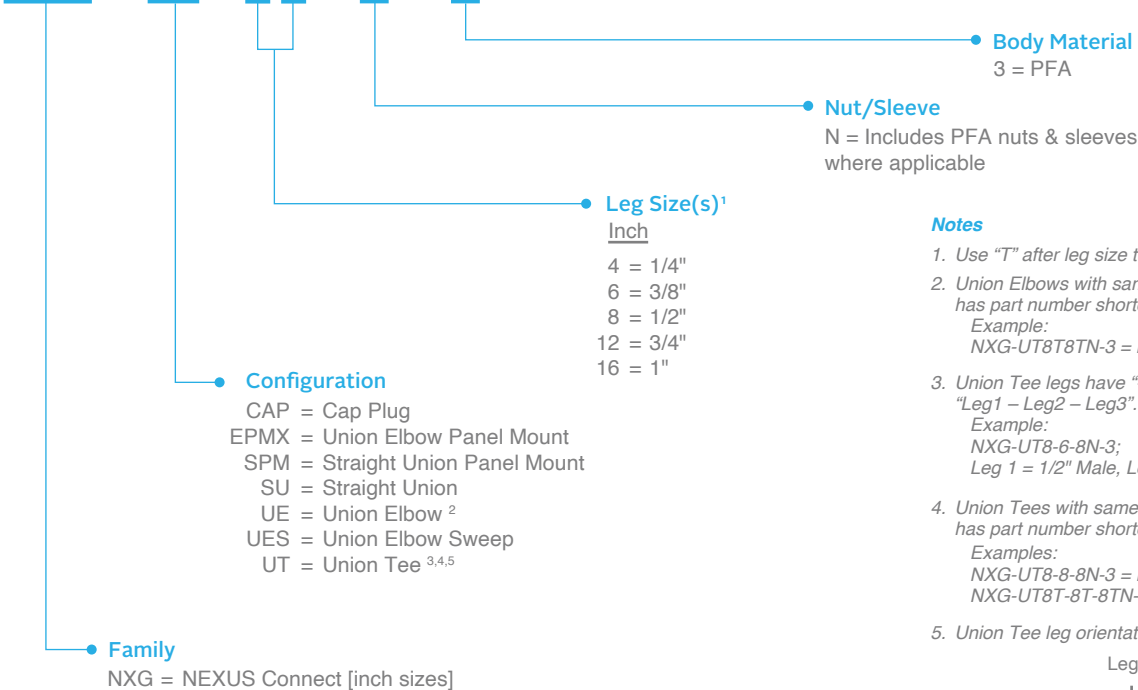
Notes

1. Use "T" after leg size to designate female connection.
2. Add "J" after thread size designator for JIS taper thread.
3. Branch Tee has NPT port on Leg 2. Size designators distinguish Leg 1 and Leg 3 sizes, respectively.
4. Run Tee has NPT port on Leg 3. Size designators distinguish Leg 1 and Leg 2 sizes, respectively.
5. Branch & Run Tee leg orientation:



UNIONS:

NXG - SU 88 - N - 3



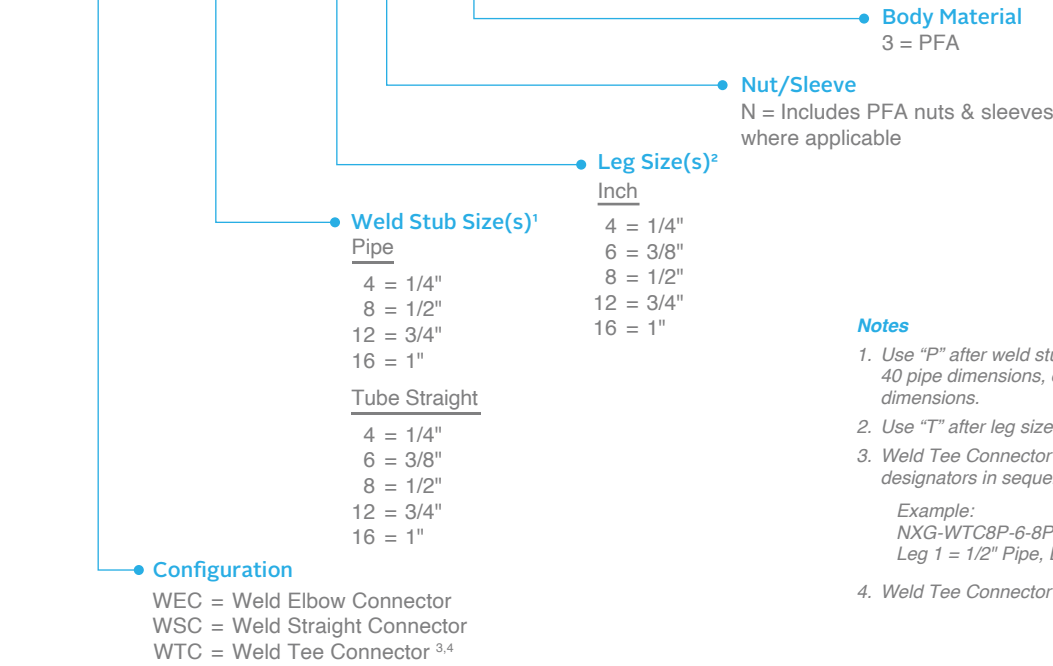
Notes

1. Use "T" after leg size to designate female connection.
2. Union Elbows with same size female connection on both sides has part number shortened to a single leg size descriptor.
Example:
NXG-UT8T8TN-3 = NXG-UT8TN-3
3. Union Tee legs have "." between size designators in sequence: "Leg1 - Leg2 - Leg3". See image below for reference⁵.
Example:
NXG-UT8-6-8N-3;
Leg 1 = 1/2" Male, Leg 2 = 3/8" Male, Leg 3 = 1/2" Male
4. Union Tees with same size and type connection on all sides has part number shortened to a single leg size descriptor.
Examples:
NXG-UT8-8-8N-3 = NXG-UT8N-3
NXG-UT8T-8T-8TN-3 = NXG-UT8TN-3
5. Union Tee leg orientation:



WELD CONNECTORS:

NXG - WEC 8 P - 8 N - 3



Family
NXG = NEXUS Connect [inch sizes]

Configuration
WEC = Weld Elbow Connector
WSC = Weld Straight Connector
WTC = Weld Tee Connector ^{3,4}

Weld Stub Size(s)¹

Pipe	Inch
4 = 1/4"	4 = 1/4"
8 = 1/2"	6 = 3/8"
12 = 3/4"	8 = 1/2"
16 = 1"	12 = 3/4"
	16 = 1"

Tube Straight

4 = 1/4"
6 = 3/8"
8 = 1/2"
12 = 3/4"
16 = 1"

Body Material
3 = PFA

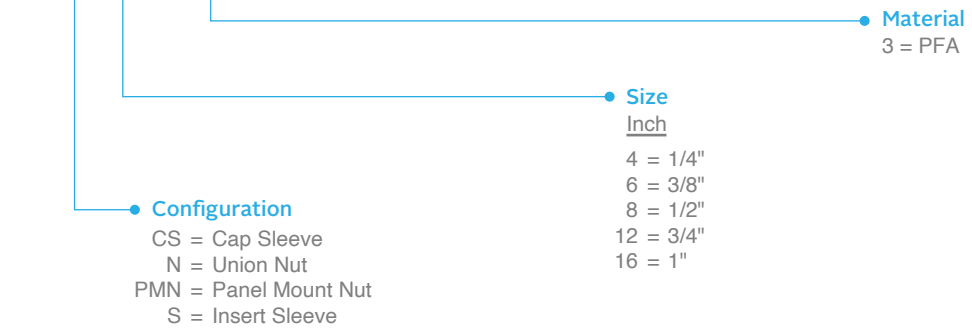
Nut/Sleeve
N = Includes PFA nuts & sleeves where applicable

- Notes**
- Use "P" after weld stub size to designate schedule 40 pipe dimensions, or "TS" to designate tube straight dimensions.
 - Use "T" after leg size to designate female connection.
 - Weld Tee Connector legs have "-" between size designators in sequence: "Leg1 - Leg2 - Leg3".
Example:
NXG-WTC8P-6-8PN-3;
Leg 1 = 1/2" Pipe, Leg 2 = 3/8" Male, Leg 3 = 1/2" Pipe
 - Weld Tee Connector leg orientation:



NUTS & SLEEVES:

NXG - N 8 - 3



Family
NXG = NEXUS Connect [inch sizes]

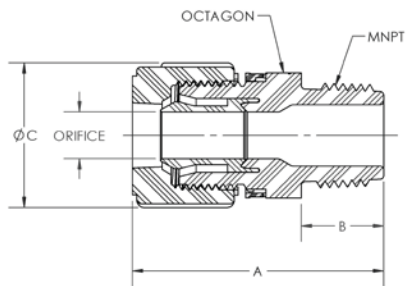
Configuration
CS = Cap Sleeve
N = Union Nut
PMN = Panel Mount Nut
S = Insert Sleeve

Size

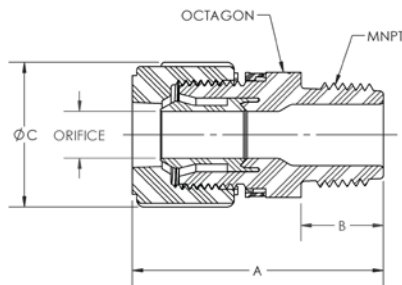
Inch
4 = 1/4"
6 = 3/8"
8 = 1/2"
12 = 3/4"
16 = 1"

Material
3 = PFA

Male Connector (Male x MNPT)							
Part No.	Tube Size	MNPT Size	Orifice	A	B	C	Octagon
NXG-MC4-2N-3	1/4" x 5/32"	1/8"	.15	1.41	.38	.68	.59
NXG-MC4-4N-3	1/4" x 5/32"	1/4"	.15	1.55	.52	.68	.59
NXG-MC4-6N-3	1/4" x 5/32"	3/8"	.15	1.55	.52	.68	.59
NXG-MC4-8N-3	1/4" x 5/32"	1/2"	.15	1.70	.64	.68	.91
NXG-MC4-12N-3	1/4" x 5/32"	3/4"	.15	1.80	.77	.68	1.00
NXG-MC6-2N-3	3/8" x 1/4"	1/8"	.19	1.58	.38	.97	.83
NXG-MC6-4N-3	3/8" x 1/4"	1/4"	.25	1.72	.52	.97	.83
NXG-MC6-6N-3	3/8" x 1/4"	3/8"	.25	1.72	.54	.97	.83
NXG-MC6-8N-3	3/8" x 1/4"	1/2"	.25	1.86	.66	.97	.83
NXG-MC6-12N-3	3/8" x 1/4"	3/4"	.25	1.97	.77	.97	1.10
NXG-MC8-2N-3	1/2" x 3/8"	1/8"	.19	1.73	.38	1.16	1.00
NXG-MC8-4N-3	1/2" x 3/8"	1/4"	.25	1.87	.52	1.16	1.00
NXG-MC8-6N-3	1/2" x 3/8"	3/8"	.38	1.87	.54	1.16	1.00
NXG-MC8-8N-3	1/2" x 3/8"	1/2"	.38	2.01	.66	1.16	1.00
NXG-MC8-12N-3	1/2" x 3/8"	3/4"	.38	2.12	.77	1.16	1.00
NXG-MC8-16N-3	1/2" x 3/8"	1"	.38	2.39	.92	1.16	1.32
NXG-MC12-6N-3	3/4" x 5/8"	3/8"	.38	2.26	.54	1.56	1.32
NXG-MC12-8N-3	3/4" x 5/8"	1/2"	.49	2.38	.66	1.56	1.32
NXG-MC12-12N-3	3/4" x 5/8"	3/4"	.63	2.49	.77	1.56	1.32
NXG-MC12-16N-3	3/4" x 5/8"	1"	.63	2.64	.98	1.56	1.32
NXG-MC16-8N-3	1" x 7/8"	1/2"	.49	2.77	.75	1.97	1.70
NXG-MC16-12N-3	1" x 7/8"	3/4"	.71	2.91	.89	1.97	1.70
NXG-MC16-16N-3	1" x 7/8"	1"	.88	2.99	.98	1.97	1.70

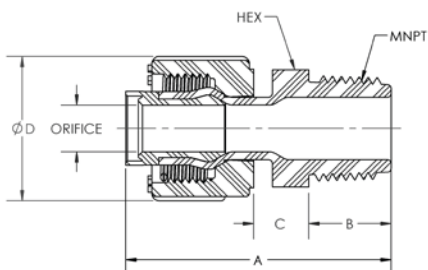


Male Connector (JIS) (Male x JIS)							
Part No.	Tube Size	JIS Size	Orifice	A	B	C	Octagon
NXG-MC4-2JN-3	1/4" x 5/32"	1/8"	.15	1.41	.38	.68	.59
NXG-MC4-4JN-3	1/4" x 5/32"	1/4"	.15	1.55	.52	.68	.59
NXG-MC4-6JN-3	1/4" x 5/32"	3/8"	.15	1.55	.52	.68	.59
NXG-MC4-8JN-3	1/4" x 5/32"	1/2"	.15	1.70	.64	.68	.87
NXG-MC6-4JN-3	3/8" x 1/4"	1/4"	.25	1.72	.52	.97	.83
NXG-MC6-6JN-3	3/8" x 1/4"	3/8"	.25	1.72	.52	.97	.83
NXG-MC6-8JN-3	3/8" x 1/4"	1/2"	.25	1.86	.66	.97	.83
NXG-MC8-2JN-3	1/2" x 3/8"	1/8"	.19	1.73	.38	1.16	1.00
NXG-MC8-4JN-3	1/2" x 3/8"	1/4"	.25	1.87	.52	1.16	1.00
NXG-MC8-6JN-3	1/2" x 3/8"	3/8"	.38	1.87	.52	1.16	1.00
NXG-MC8-8JN-3	1/2" x 3/8"	1/2"	.38	2.01	.66	1.16	1.00
NXG-MC8-12JN-3	1/2" x 3/8"	3/4"	.38	2.12	.77	1.16	1.00
NXG-MC12-6JN-3	3/4" x 5/8"	3/8"	.38	2.26	.52	1.56	1.32
NXG-MC12-8JN-3	3/4" x 5/8"	1/2"	.49	2.38	.66	1.56	1.32
NXG-MC12-12JN-3	3/4" x 5/8"	3/4"	.63	2.49	.77	1.56	1.32
NXG-MC12-16JN-3	3/4" x 5/8"	1"	.63	2.64	.92	1.56	1.32
NXG-MC16-12JN-3	1" x 7/8"	3/4"	.71	2.91	.89	1.97	1.70
NXG-MC16-16JN-3	1" x 7/8"	1"	.88	2.99	.98	1.97	1.70



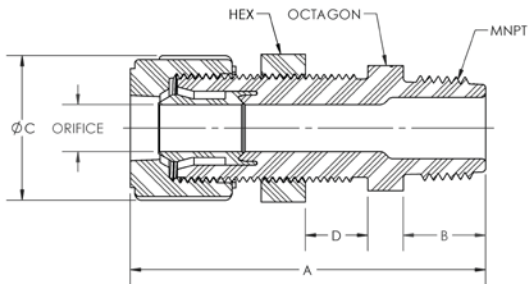
Male Connector (TightINSERT) (Female x MNPT)

Part No.	Connection Size	MNPT Size	Orifice	A	B	C	D	Hex
NXG-MC4T-2N-3	1/4" x 5/32"	1/8"	.15	1.58	.45	.45	.68	.63
NXG-MC4T-4N-3	1/4" x 5/32"	1/4"	.15	1.67	.55	.44	.68	.63
NXG-MC4T-6N-3	1/4" x 5/32"	3/8"	.15	1.68	.55	.45	.68	.69
NXG-MC4T-8N-3	1/4" x 5/32"	1/2"	.15	1.78	.66	.44	.68	.81
NXG-MC6T-6N-3	3/8" x 1/4"	3/8"	.25	1.82	.55	.44	.97	.81
NXG-MC8T-6N-3	1/2" x 3/8"	3/8"	.38	2.01	.55	.44	1.16	.94
NXG-MC8T-8N-3	1/2" x 3/8"	1/2"	.38	2.12	.66	.44	1.16	.94
NXG-MC12T-12N-3	3/4" x 5/8"	3/4"	.63	2.34	.67	.44	1.56	1.19
NXG-MC12T-16N-3	3/4" x 5/8"	1"	.63	2.52	.85	.44	1.56	1.44
NXG-MC16T-12N-3	1" x 7/8"	3/4"	.69	2.60	.67	.49	1.97	1.44
NXG-MC16T-16N-3	1" x 7/8"	1"	.88	2.78	.85	.49	1.97	1.44



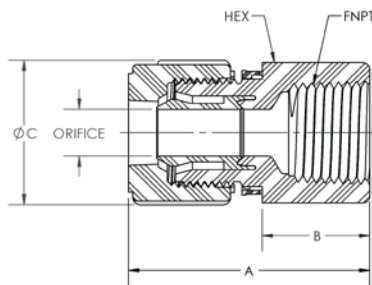
Male Connector Panel Mount (Male x MNPT)

Part No.	Tube Size	MNPT Size	Orifice	A	B	C	D (Max)	Octagon	Hex	Min Panel Hole Dia
NXG-MCPM4-4N-3	1/4" x 5/32"	1/4"	.15	2.26	.52	.68	.50	.59	.75	.49
NXG-MCPM6-4N-3	3/8" x 1/4"	1/4"	.25	2.45	.52	.97	.50	.83	.98	.73
NXG-MCPM6-6N-3	3/8" x 1/4"	3/8"	.25	2.47	.54	.97	.50	.83	.98	.73
NXG-MCPM8-4N-3	1/2" x 3/8"	1/4"	.25	2.71	.52	1.16	.50	1.00	1.18	.89
NXG-MCPM8-6N-3	1/2" x 3/8"	3/8"	.38	2.73	.54	1.16	.50	1.00	1.18	.89
NXG-MCPM8-8N-3	1/2" x 3/8"	1/2"	.38	2.85	.66	1.16	.50	1.00	1.18	.89
NXG-MCPM12-6N-3	3/4" x 5/8"	3/8"	.38	2.99	.54	1.56	.50	1.32	1.50	1.22
NXG-MCPM12-8N-3	3/4" x 5/8"	1/2"	.49	3.10	.66	1.56	.50	1.32	1.50	1.22
NXG-MCPM12-12N-3	3/4" x 5/8"	3/4"	.63	3.21	.77	1.56	.50	1.32	1.50	1.22
NXG-MCPM16-12N-3	1" x 7/8"	3/4"	.71	3.53	.77	1.97	.50	1.70	1.89	1.61
NXG-MCPM16-16N-3	1" x 7/8"	1"	.88	3.74	.98	1.97	.50	1.70	1.89	1.61

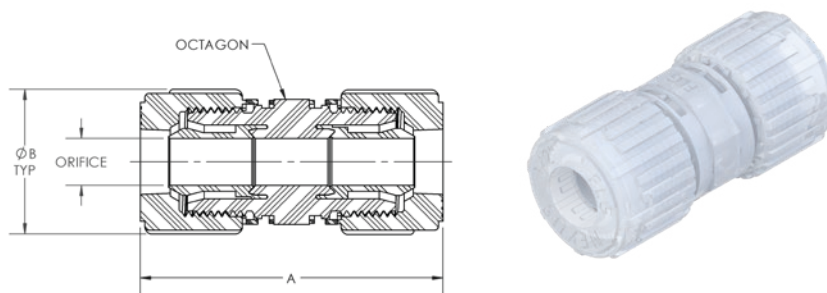


Female Connector (Male x FNPT)							
Part No.	Tube Size	FNPT Size	Orifice	A	B	C	Hex
NXG-FC4-2N-3	1/4" x 5/32"	1/8"	.15	1.47	.73	.68	.63
NXG-FC4-4N-3	1/4" x 5/32"	1/4"	.15	1.56	.82	.68	.75
NXG-FC4-6N-3	1/4" x 5/32"	3/8"	.15	1.58	.84	.68	.94
NXG-FC4-8N-3	1/4" x 5/32"	1/2"	.15	1.60	.86	.68	1.13
NXG-FC6-2N-3	3/8" x 1/4"	1/8"	.25	1.70	.78	.97	*.83
NXG-FC6-4N-3	3/8" x 1/4"	1/4"	.25	1.74	.82	.97	.75
NXG-FC6-6N-3	3/8" x 1/4"	3/8"	.25	1.76	.84	.97	.94
NXG-FC6-8N-3	3/8" x 1/4"	1/2"	.25	1.78	.86	.97	1.13
NXG-FC8-4N-3	1/2" x 3/8"	1/4"	.38	1.85	.78	1.16	*1.00
NXG-FC8-6N-3	1/2" x 3/8"	3/8"	.38	1.89	.82	1.16	.94
NXG-FC8-8N-3	1/2" x 3/8"	1/2"	.38	1.93	.86	1.16	1.13
NXG-FC8-12N-3	1/2" x 3/8"	3/4"	.38	1.99	.92	1.16	1.38
NXG-FC8-16N-3	1/2" x 3/8"	1"	.38	2.21	1.14	1.16	1.63
NXG-FC12-8N-3	3/4" x 5/8"	1/2"	.63	2.30	.98	1.56	*1.32
NXG-FC12-12N-3	3/4" x 5/8"	3/4"	.63	2.24	.92	1.56	1.38
NXG-FC12-16N-3	3/4" x 5/8"	1"	.63	2.46	1.14	1.56	1.63
NXG-FC16-12N-3	1" x 7/8"	3/4"	.88	2.64	1.11	1.97	*1.70
NXG-FC16-16N-3	1" x 7/8"	1"	.88	2.75	1.22	1.97	*1.70

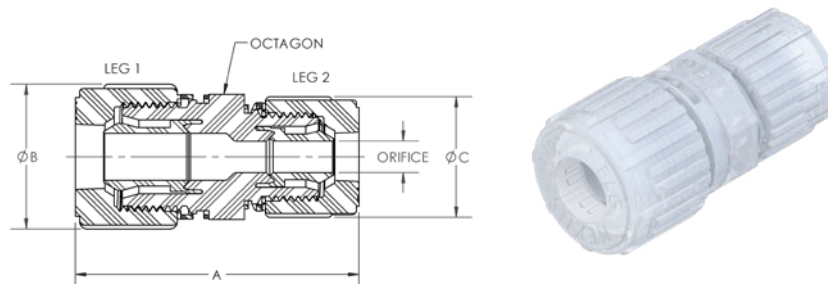
* Octagon shape



Straight Union (Male x Male)					
Part No.	Tube Size	Orifice	A	B	Octagon
NXG-SU44N-3	1/4" x 5/32"	.15	1.77	.68	.59
NXG-SU66N-3	3/8" x 1/4"	.25	2.12	.97	.83
NXG-SU88N-3	1/2" x 3/8"	.38	2.42	1.16	1.00
NXG-SU1212N-3	3/4" x 5/8"	.63	3.04	1.56	1.32
NXG-SU1616N-3	1" x 7/8"	.88	3.63	1.97	1.70

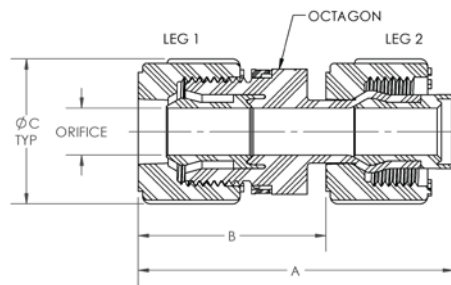


Straight Union Reducer (Male x Male)							
Part No.	Leg 1 Tube Size	Leg 2 Tube Size	Orifice	A	B	C	Octagon
NXG-SU64N-3	3/8" x 1/4"	1/4" x 5/32"	.15	1.94	.97	.68	.83
NXG-SU84N-3	1/2" x 3/8"	1/4" x 5/32"	.15	2.10	1.16	.68	1.00
NXG-SU86N-3	1/2" x 3/8"	3/8" x 1/4"	.25	2.27	1.16	.97	1.00
NXG-SU124N-3	3/4" x 5/8"	1/4" x 5/32"	.15	2.46	1.56	.68	1.32
NXG-SU126N-3	3/4" x 5/8"	3/8" x 1/4"	.25	2.64	1.56	.97	1.32
NXG-SU128N-3	3/4" x 5/8"	1/2" x 3/8"	.38	2.79	1.56	1.16	1.32
NXG-SU166N-3	1" x 7/8"	3/8" x 1/4"	.25	3.03	1.97	.97	1.70
NXG-SU168N-3	1" x 7/8"	1/2" x 3/8"	.38	3.18	1.97	1.16	1.70
NXG-SU1612N-3	1" x 7/8"	3/4" x 5/8"	.63	3.44	1.97	1.56	1.70



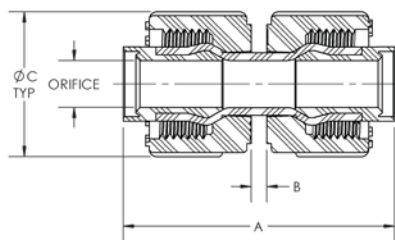
Straight Union Adapter (TightINSERT) (Male x Female)

Part No.	Leg 1 Tube Size	Leg 2 Tube Size	Orifice	A	B	C	Octagon
NXG-SU44TN-3	1/4" x 5/32"	1/4"	.15	1.80	1.12	.68	.59
NXG-SU66TN-3	3/8" x 1/4"	3/8"	.25	2.18	1.35	.97	.83
NXG-SU88TN-3	1/2" x 3/8"	1/2"	.38	2.52	1.50	1.16	1.00
NXG-SU1212TN-3	3/4" x 5/8"	3/4"	.63	3.10	1.87	1.56	1.32
NXG-SU1616TN-3	1" x 7/8"	1"	.88	3.66	2.22	1.97	1.70

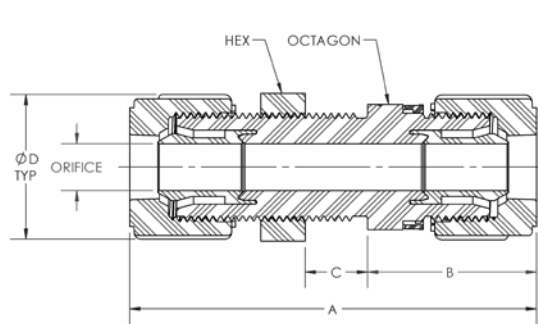


Tube Union (TightINSERT) (Female x Female)

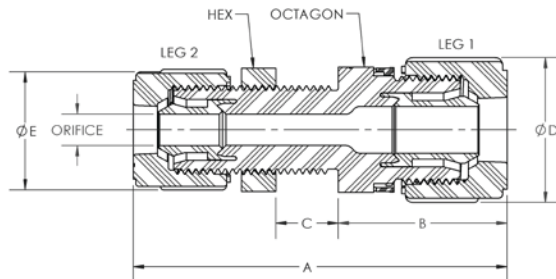
Part No.	Connection Size	Orifice	A	B	C
NXG-TU4N-3-143	1/4"	.15	1.43	.06	.68
NXG-TU6N-3-175	3/8"	.25	1.75	.09	.97
NXG-TU8N-3-217	1/2"	.38	2.17	.12	1.16
NXG-TU12N-3-250	3/4"	.63	2.50	.04	1.56
NXG-TU16N-3-307	1"	.88	3.07	.19	1.97



Straight Union Panel Mount (Male x Male)									
Part No.	Tube Size	Orifice	A	B	C (Max)	D	Hex	Octagon	Min Panel Hole Dia
NXG-SPM44N-3	1/4" x 5/32"	.15	2.49	1.03	.50	.68	.63	.59	.49
NXG-SPM66N-3	3/8" x 1/4"	.25	2.82	1.20	.50	.97	.87	.83	.73
NXG-SPM88N-3	1/2" x 3/8"	.38	3.25	1.35	.50	1.16	1.06	1.00	.89
NXG-SPM1212N-3	3/4" x 5/8"	.63	3.74	1.72	.50	1.56	1.50	1.32	1.22
NXG-SPM1616N-3	1" x 7/8"	.88	4.37	2.02	.50	1.97	1.85	1.70	1.61

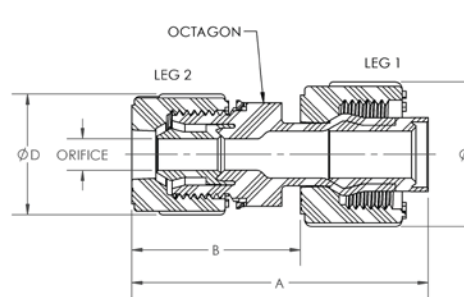


Straight Union Panel Mount Reducer (Male x Male)											
Part No.	Leg 1 Tube Size	Leg 2 Tube Size	Orifice	A	B	C (Max)	D	E	Hex	Octagon	Min Panel Hole Dia
NXG-SPM64N-3	3/8" x 1/4"	1/4" x 5/32"	.15	2.66	1.20	.50	.97	.68	.63	.83	.49
NXG-SPM84N-3	1/2" x 3/8"	1/4" x 5/32"	.15	2.81	1.35	.50	1.16	.68	.63	1.00	.49
NXG-SPM86N-3	1/2" x 3/8"	3/8" x 1/4"	.25	2.99	1.35	.50	1.16	.97	.87	1.00	.73
NXG-SPM126N-3	3/4" x 5/8"	3/8" x 1/4"	.25	3.36	1.72	.50	1.56	.97	.87	1.32	.73
NXG-SPM128N-3	3/4" x 5/8"	1/2" x 3/8"	.38	3.62	1.72	.50	1.56	1.16	1.06	1.32	.89
NXG-SPM1612N-3	1" x 7/8"	3/4" x 5/8"	.63	4.06	2.02	.50	1.97	1.56	1.50	1.70	1.22



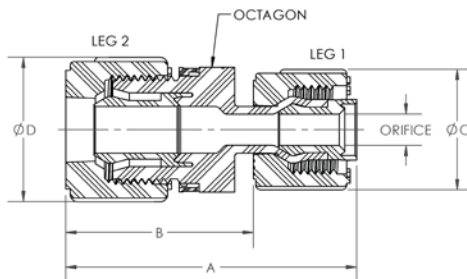
Male Reducer (TightINSERT) (Female x Male)

Part No.	Leg 1 Tube Size	Leg 2 Tube Size	Orifice	A	B	C	D	Octagon
NXG-SU46TN-3	3/8"	1/4" x 5/32"	.15	2.01	1.18	.97	.68	.59
NXG-SU48TN-3	1/2"	1/4" x 5/32"	.15	2.20	1.18	1.16	.68	.59
NXG-SU68TN-3	1/2"	3/8" x 1/4"	.25	2.37	1.35	1.16	.97	.83
NXG-SU612TN-3	3/4"	3/8" x 1/4"	.25	2.58	1.35	1.56	.97	.83
NXG-SU616TN-3	1"	3/8" x 1/4"	.25	2.96	1.52	1.97	.97	1.18
NXG-SU812TN-3	3/4"	1/2" x 3/8"	.38	2.73	1.50	1.56	1.16	1.00
NXG-SU816TN-3	1"	1/2" x 3/8"	.38	3.11	1.67	1.97	1.16	1.18
NXG-SU1216TN-3	1"	3/4" x 5/8"	.63	3.36	1.92	1.97	1.56	1.32

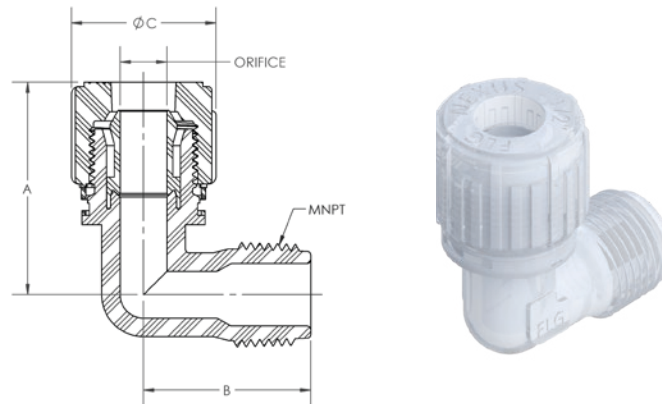


Male Increaser (TightINSERT) (Female x Male)

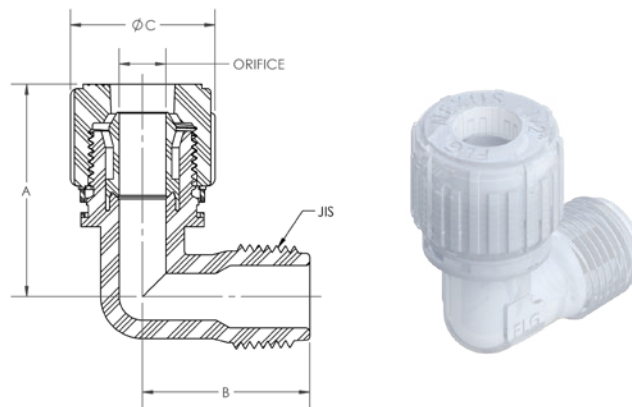
Part No.	Leg 1 Connection Size	Leg 2 Tube Size	Orifice	A	B	C	D	Octagon
NXG-SU64TN-3	1/4"	3/8" x 1/4"	.15	1.97	1.29	.68	.97	.83
NXG-SU84TN-3	1/4"	1/2" x 3/8"	.15	2.12	1.44	.68	1.16	1.00
NXG-SU86TN-3	3/8"	1/2" x 3/8"	.25	2.33	1.50	.97	1.16	1.00
NXG-SU128TN-3	1/2"	3/4" x 5/8"	.38	2.89	1.87	1.16	1.56	1.32
NXG-SU1612TN-3	3/4"	1" x 7/8"	.63	3.39	2.16	1.56	1.97	1.70



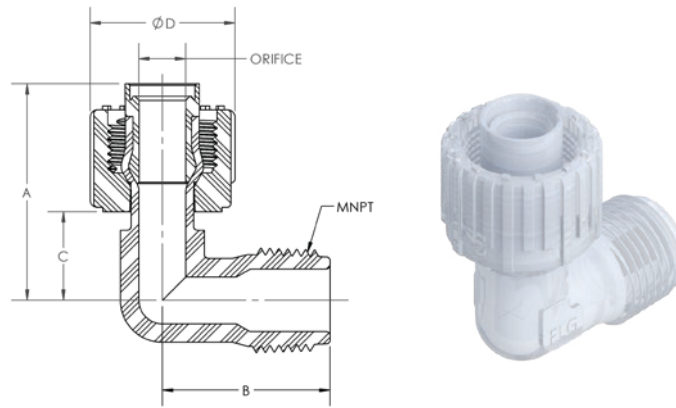
Male Elbow (Male x MNPT)						
Part No.	Tube Size	MNPT Size	Orifice	A	B	C
NXG-ME4-2N-3	1/4" x 5/32"	1/8"	.15	1.17	.83	.68
NXG-ME4-4N-3	1/4" x 5/32"	1/4"	.15	1.17	.98	.68
NXG-ME4-6N-3	1/4" x 5/32"	3/8"	.15	1.17	1.10	.68
NXG-ME4-8N-3	1/4" x 5/32"	1/2"	.15	1.17	1.34	.68
NXG-ME6-4N-3	3/8" x 1/4"	1/4"	.25	1.49	.98	.97
NXG-ME6-6N-3	3/8" x 1/4"	3/8"	.25	1.49	1.10	.97
NXG-ME6-8N-3	3/8" x 1/4"	1/2"	.25	1.49	1.34	.97
NXG-ME8-4N-3	1/2" x 3/8"	1/4"	.25	1.70	1.18	1.16
NXG-ME8-6N-3	1/2" x 3/8"	3/8"	.38	1.70	1.18	1.16
NXG-ME8-8N-3	1/2" x 3/8"	1/2"	.38	1.70	1.34	1.16
NXG-ME8-12N-3	1/2" x 3/8"	3/4"	.38	1.70	1.42	1.16
NXG-ME12-8N-3	3/4" x 5/8"	1/2"	.50	2.14	1.50	1.56
NXG-ME12-12N-3	3/4" x 5/8"	3/4"	.63	2.14	1.58	1.56
NXG-ME12-16N-3	3/4" x 5/8"	1"	.63	2.14	1.58	1.56
NXG-ME16-12N-3	1" x 7/8"	3/4"	.71	2.55	1.77	1.97
NXG-ME16-16N-3	1" x 7/8"	1"	.88	2.55	1.92	1.97



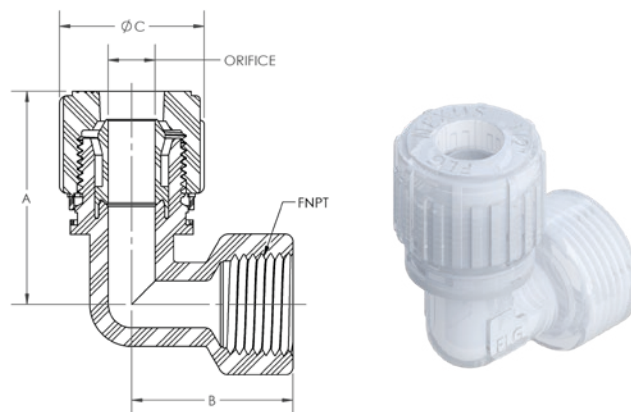
Male Elbow (JIS) (Male x JIS)						
Part No.	Tube Size	JIS Size	Orifice	A	B	C
NXG-ME4-2JN-3	1/4" x 5/32"	1/8"	.15	1.17	.83	.68
NXG-ME4-4JN-3	1/4" x 5/32"	1/4"	.15	1.17	.98	.68
NXG-ME4-6JN-3	1/4" x 5/32"	3/8"	.15	1.17	1.10	.68
NXG-ME4-8JN-3	1/4" x 5/32"	1/2"	.15	1.17	1.34	.68
NXG-ME6-4JN-3	3/8" x 1/4"	1/4"	.25	1.49	.98	.97
NXG-ME6-6JN-3	3/8" x 1/4"	3/8"	.25	1.49	1.10	.97
NXG-ME6-8JN-3	3/8" x 1/4"	1/2"	.25	1.49	1.34	.97
NXG-ME8-4JN-3	1/2" x 3/8"	1/4"	.25	1.70	1.18	1.16
NXG-ME8-6JN-3	1/2" x 3/8"	3/8"	.38	1.70	1.18	1.16
NXG-ME8-8JN-3	1/2" x 3/8"	1/2"	.38	1.70	1.34	1.16
NXG-ME8-12JN-3	1/2" x 3/8"	3/4"	.38	1.70	1.42	1.16
NXG-ME12-8JN-3	3/4" x 5/8"	1/2"	.50	2.14	1.50	1.56
NXG-ME12-12JN-3	3/4" x 5/8"	3/4"	.63	2.14	1.58	1.56
NXG-ME12-16JN-3	3/4" x 5/8"	1"	.63	2.14	1.58	1.56
NXG-ME16-12JN-3	1" x 7/8"	3/4"	.71	2.55	1.77	1.97
NXG-ME16-16JN-3	1" x 7/8"	1"	.88	2.55	1.92	1.97



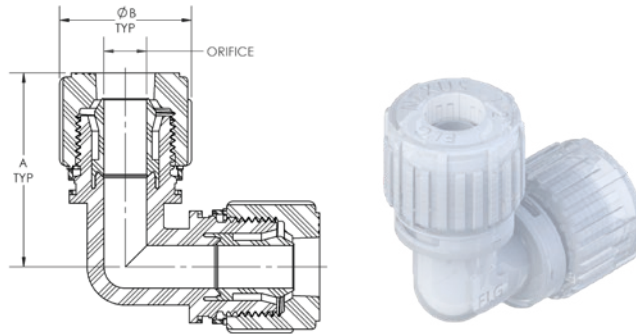
Male Elbow (TightINSERT) (Female x MNPT)							
Part No.	Connection Size	MNPT Size	Orifice	A	B	C	D
NXG-ME4T-4N-3	1/4"	1/4"	.15	1.14	.98	.46	.68
NXG-ME6T-6N-3	3/8"	3/8"	.25	1.47	1.10	.64	.97
NXG-ME8T-8N-3	1/2"	1/2"	.38	1.73	1.34	.71	1.16
NXG-ME12T-12N-3	3/4"	3/4"	.63	2.10	1.58	.87	1.56
NXG-ME16T-16N-3	1"	1"	.88	2.55	1.77	1.11	1.97



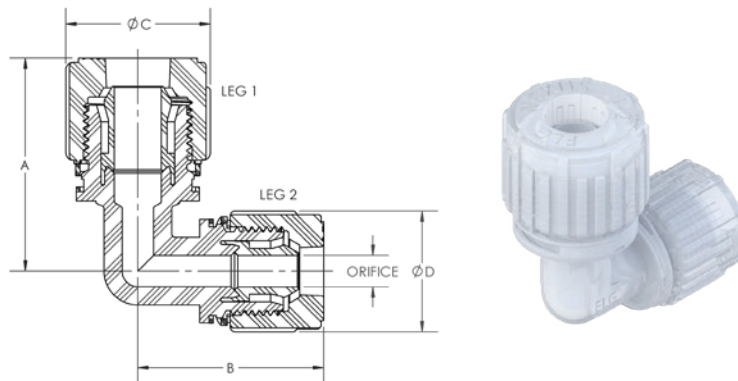
Female Elbow (Male x FNPT)						
Part No.	Tube Size	FNPT Size	Orifice	A	B	C
NXG-FE4-4N-3	1/4" x 5/32"	1/4"	.15	1.17	1.07	.68
NXG-FE6-4N-3	3/8" x 1/4"	1/4"	.25	1.49	1.06	.97
NXG-FE6-6N-3	3/8" x 1/4"	3/8"	.25	1.49	1.25	.97
NXG-FE8-4N-3	1/2" x 3/8"	1/4"	.38	1.70	1.06	1.16
NXG-FE8-8N-3	1/2" x 3/8"	1/2"	.38	1.70	1.29	1.16
NXG-FE12-6N-3	3/4" x 5/8"	3/8"	.50	2.14	1.24	1.56
NXG-FE12-12N-3	3/4" x 5/8"	3/4"	.63	2.14	1.52	1.56
NXG-FE16-16N-3	1" x 7/8"	1"	.88	2.55	1.77	1.97



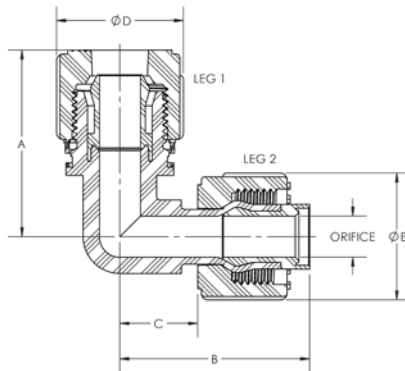
Union Elbow (Male x Male)				
Part No.	Tube Size	Orifice	A	B
NXG-UE44N-3	1/4" x 5/32"	.15	1.17	.68
NXG-UE66N-3	3/8" x 1/4"	.25	1.49	.97
NXG-UE88N-3	1/2" x 3/8"	.38	1.70	1.16
NXG-UE1212N-3	3/4" x 5/8"	.63	2.14	1.56
NXG-UE1616N-3	1" x 7/8"	.88	2.55	1.97



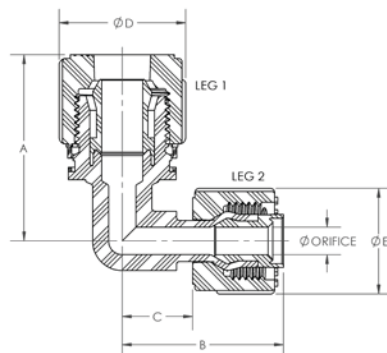
Union Elbow Reducer (Male x Male)							
Part No.	Leg 1 Tube Size	Leg 2 Tube Size	Orifice	A	B	C	D
NXG-UE64N-3	3/8" x 1/4"	1/4" x 5/32"	.15	1.49	1.17	.97	.68
NXG-UE84N-3	1/2" x 3/8"	1/4" x 5/32"	.15	1.70	1.17	1.16	.68
NXG-UE86N-3	1/2" x 3/8"	3/8" x 1/4"	.25	1.70	1.49	1.16	.97
NXG-UE124N-3	3/4" x 5/8"	1/4" x 5/32"	.15	2.14	1.52	1.56	.68
NXG-UE126N-3	3/4" x 5/8"	3/8" x 1/4"	.25	2.14	1.49	1.56	.97
NXG-UE128N-3	3/4" x 5/8"	1/2" x 3/8"	.38	2.14	1.70	1.56	1.16
NXG-UE166N-3	1" x 7/8"	3/8" x 1/4"	.25	2.55	1.92	1.97	.97
NXG-UE168N-3	1" x 7/8"	1/2" x 3/8"	.38	2.55	1.70	1.97	1.16
NXG-UE1612N-3	1" x 7/8"	3/4" x 5/8"	.63	2.55	2.14	1.97	1.56



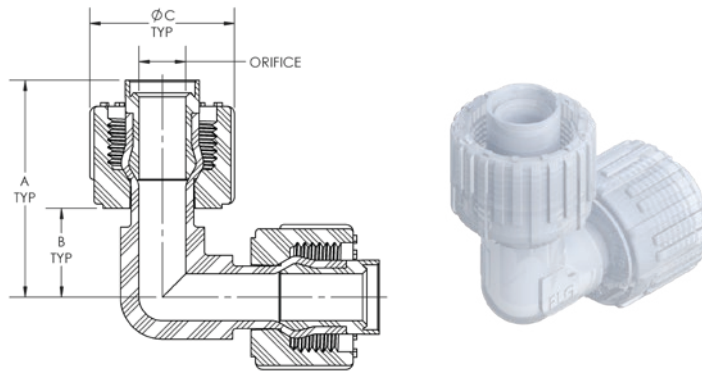
Union Elbow (TightINSERT) (Male x Female)							
Part No.	Leg 1 Tube Size	Leg 2 Connection Size	Orifice	A	B	C	D
NXG-UE44TN-3	1/4" x 5/32"	1/4"	.15	1.17	1.14	.46	.68
NXG-UE66TN-3	3/8" x 1/4"	3/8"	.25	1.49	1.47	.64	.97
NXG-UE88TN-3	1/2" x 3/8"	1/2"	.38	1.70	1.73	.71	1.16
NXG-UE1212TN-3	3/4" x 5/8"	3/4"	.63	2.14	2.10	.87	1.56
NXG-UE1616TN-3	1" x 7/8"	1"	.88	2.55	2.55	1.11	1.97



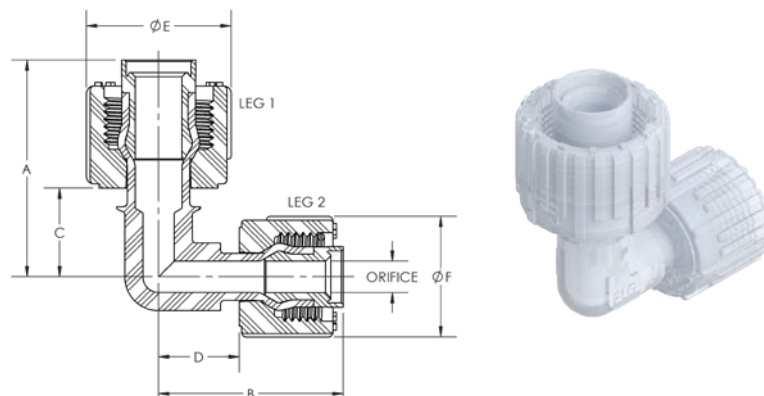
Union Elbow Reducer (TightINSERT) (Male x Female)								
Part No.	Leg 1 Tube Size	Leg 2 Tube Size	Orifice	A	B	C	D	E
NXG-UE46TN-3	1/4" x 5/32"	3/8"	.15	1.17	1.47	.64	.68	.97
NXG-UE48TN-3	1/4" x 5/32"	1/2"	.15	1.17	1.73	.71	.68	1.16
NXG-UE64TN-3	3/8" x 1/4"	1/4"	.15	1.49	1.14	.46	.97	.68
NXG-UE68TN-3	3/8" x 1/4"	1/2"	.25	1.49	1.73	.71	.97	1.16
NXG-UE612TN-3	3/8" x 1/4"	3/4"	.25	1.49	2.10	.87	.97	1.56
NXG-UE84TN-3	1/2" x 3/8"	1/4"	.15	1.70	1.14	.46	1.16	.68
NXG-UE86TN-3	1/2" x 3/8"	3/8"	.25	1.70	1.47	.64	1.16	.97
NXG-UE812TN-3	1/2" x 3/8"	3/4"	.38	1.70	2.10	.87	1.16	1.56
NXG-UE816TN-3	1/2" x 3/8"	1"	.38	1.70	2.55	1.11	1.16	1.97
NXG-UE126TN-3	3/4" x 5/8"	3/8"	.25	2.14	1.47	.64	1.56	.97
NXG-UE128TN-3	3/4" x 5/8"	1/2"	.38	2.14	1.73	.71	1.56	1.16
NXG-UE1216TN-3	3/4" x 5/8"	1"	.63	2.14	2.55	1.11	1.56	1.97
NXG-UE1612TN-3	1" x 7/8"	3/4"	.63	2.55	2.10	.87	1.97	1.56



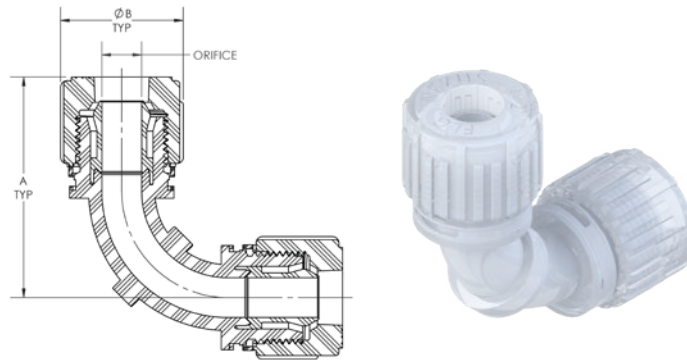
Union Elbow (TightINSERT) All (Female x Female)					
Part No.	Connection Size	Orifice	A	B	C
NXG-UE4TN-3	1/4"	.15	1.14	.46	.68
NXG-UE6TN-3	3/8"	.25	1.47	.64	.97
NXG-UE8TN-3	1/2"	.38	1.73	.71	1.16
NXG-UE12TN-3	3/4"	.63	2.10	.87	1.56
NXG-UE16TN-3	1"	.88	2.55	1.11	1.97



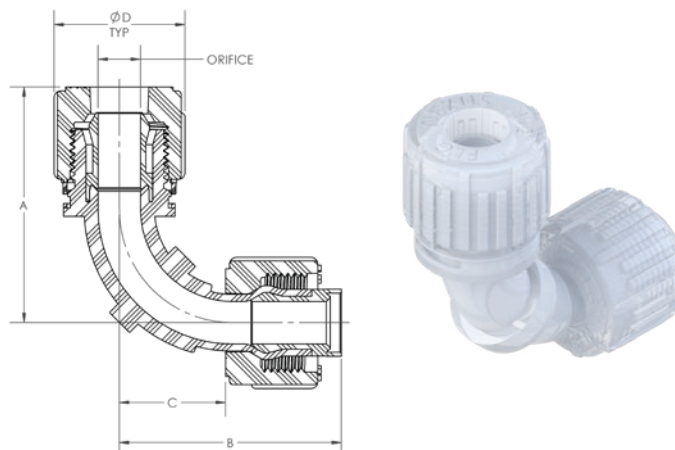
Union Elbow Reducer (TightINSERT) All (Female x Female)									
Part No.	Leg 1 Connection Size	Leg 2 Connection Size	Orifice	A	B	C	D	E	F
NXG-UE6T4TN-3	3/8"	1/4"	.15	1.47	1.14	.64	.46	.97	.68
NXG-UE8T6TN-3	1/2"	3/8"	.25	1.73	1.47	.71	.64	1.16	.97
NXG-UE12T8TN-3	3/4"	1/2"	.38	2.10	1.73	.87	.71	1.56	1.16
NXG-UE16T12TN-3	1"	3/4"	.63	2.55	2.10	1.11	.87	1.97	1.56



Union Elbow Sweep (Male x Male)				
Part No.	Tube Size	Orifice	A	B
NXG-UES44N-3	1/4" x 5/32"	.15	1.52	.68
NXG-UES66N-3	3/8" x 1/4"	.25	1.81	.97
NXG-UES88N-3	1/2" x 3/8"	.38	2.08	1.16
NXG-UES1212N-3	3/4" x 5/8"	.63	2.50	1.56
NXG-UES1616N-3	1" x 7/8"	.88	3.07	1.97

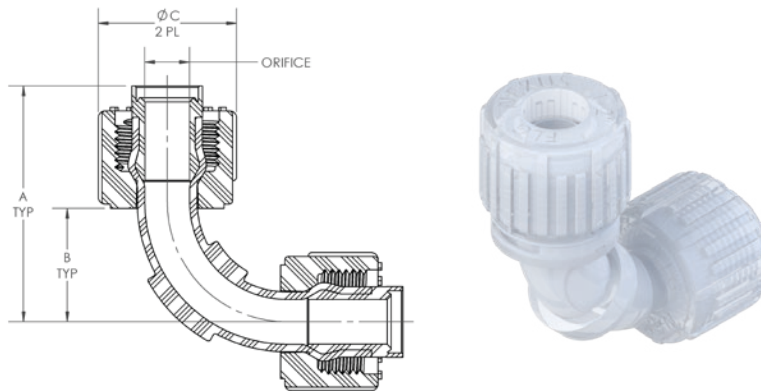


Union Elbow Sweep (TightINSERT) (Male x Female)						
Part No.	Tube Size	Orifice	A	B	C	D
NXG-UES44TN-3	1/4" x 5/32"	.15	1.52	1.59	.91	.68
NXG-UES66TN-3	3/8" x 1/4"	.25	1.81	1.78	.95	.97
NXG-UES88TN-3	1/2" x 3/8"	.38	2.08	1.96	.94	1.16
NXG-UES1212TN-3	3/4" x 5/8"	.63	2.50	2.54	1.31	1.56
NXG-UES1616TN-3	1" x 7/8"	.88	2.99	3.05	1.61	1.97



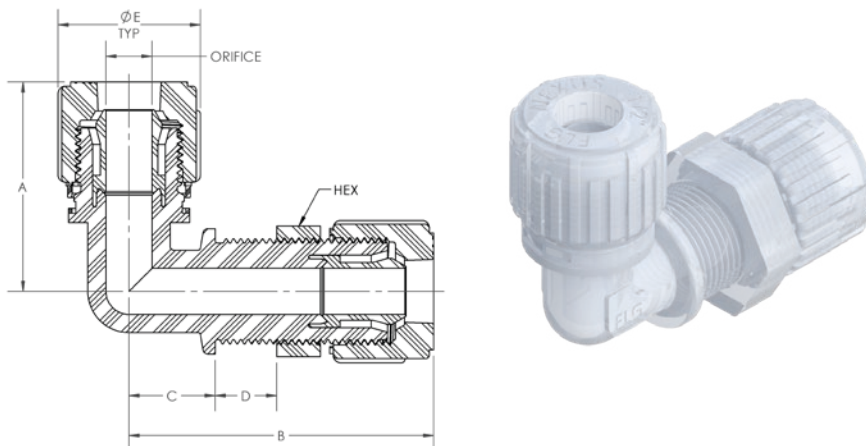
Union Elbow Sweep (TightINSERT) All (Male x Female)

Part No.	Tube Size	Orifice	A	B	C
NXG-UES4TN-3	1/4" x 5/32"	.15	1.57	.89	.68
NXG-UES6TN-3	3/8" x 1/4"	.25	1.74	.91	.97
NXG-UES8TN-3	1/2" x 3/8"	.38	1.97	.95	1.16
NXG-UES12TN-3	3/4" x 5/8"	.63	2.36	1.13	1.56
NXG-UES16TN-3	1" x 7/8"	.88	2.99	1.55	1.97



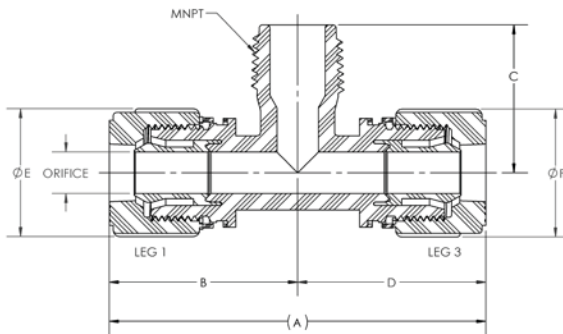
Union Elbow Panel Mount (Male x Male)

Part No.	Tube Size	Orifice	A	B	C	D (Max)	E	Hex	Min Panel Hole Dia
NXG-EPMX44N-3	1/4" x 5/32"	.15	1.17	1.95	.51	.50	.68	.63	.49
NXG-EPMX66N-3	3/8" x 1/4"	.25	1.49	2.26	.64	.50	.97	.87	.73
NXG-EPMX88N-3	1/2" x 3/8"	.38	1.70	2.48	.70	.50	1.16	1.06	.89
NXG-EPMX1212N-3	3/4" x 5/8"	.63	2.14	2.80	.86	.50	1.56	1.50	1.22
NXG-EPMX1616N-3	1" x 7/8"	.88	2.55	3.27	1.09	.50	1.97	1.85	1.61



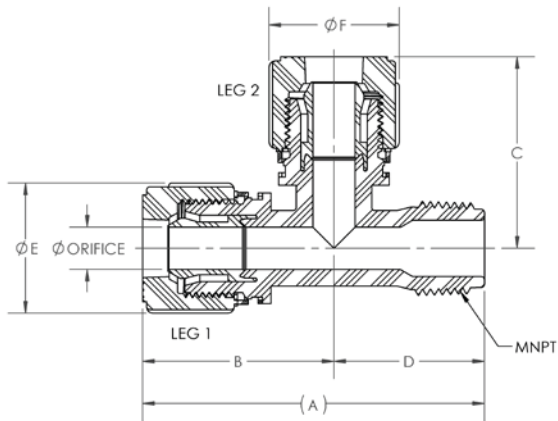
Male Branch Tee (Male x MNPT x Male)

Part No.	Leg 1 Tube Size	Leg 3 Tube Size	MNPT Size	Orifice	A	B	C	D	E	F
NXG-MBT44-2N-3	1/4" x 5/32"	1/4" x 5/32"	1/8"	.15	2.34	1.17	.83	1.17	.68	.68
NXG-MBT44-4N-3	1/4" x 5/32"	1/4" x 5/32"	1/4"	.15	2.34	1.17	.98	1.17	.68	.68
NXG-MBT44-6N-3	1/4" x 5/32"	1/4" x 5/32"	3/8"	.15	2.34	1.17	1.10	1.17	.68	.68
NXG-MBT44-8N-3	1/4" x 5/32"	1/4" x 5/32"	1/2"	.15	2.34	1.17	1.34	1.17	.68	.68
NXG-MBT66-2N-3	3/8" x 1/4"	3/8" x 1/4"	1/8"	.19	2.97	1.49	.95	1.49	.97	.97
NXG-MBT66-4N-3	3/8" x 1/4"	3/8" x 1/4"	1/4"	.25	2.97	1.49	.98	1.49	.97	.97
NXG-MBT66-6N-3	3/8" x 1/4"	3/8" x 1/4"	3/8"	.25	2.97	1.49	1.10	1.49	.97	.97
NXG-MBT66-8N-3	3/8" x 1/4"	3/8" x 1/4"	1/2"	.25	2.97	1.49	1.34	1.49	.97	.97
NXG-MBT88-4N-3	1/2" x 3/8"	1/2" x 3/8"	1/4"	.25	3.41	1.70	1.18	1.70	1.16	1.16
NXG-MBT88-6N-3	1/2" x 3/8"	1/2" x 3/8"	3/8"	.38	3.41	1.70	1.18	1.70	1.16	1.16
NXG-MBT88-8N-3	1/2" x 3/8"	1/2" x 3/8"	1/2"	.38	3.41	1.70	1.34	1.70	1.16	1.16
NXG-MBT88-12N-3	1/2" x 3/8"	1/2" x 3/8"	3/4"	.38	3.41	1.70	1.42	1.70	1.16	1.16
NXG-MBT1212-8N-3	3/4" x 5/8"	3/4" x 5/8"	1/2"	.50	4.27	2.14	1.50	2.14	1.56	1.56
NXG-MBT1212-12N-3	3/4" x 5/8"	3/4" x 5/8"	3/4"	.63	4.27	2.14	1.58	2.14	1.56	1.56
NXG-MBT1212-16N-3	3/4" x 5/8"	3/4" x 5/8"	1"	.63	4.27	2.14	1.58	2.14	1.56	1.56
NXG-MBT1616-12N-3	1" x 7/8"	1" x 7/8"	3/4"	.71	5.09	2.55	1.77	2.55	1.97	1.97
NXG-MBT1616-16N-3	1" x 7/8"	1" x 7/8"	1"	.88	5.09	2.55	1.77	2.55	1.97	1.97

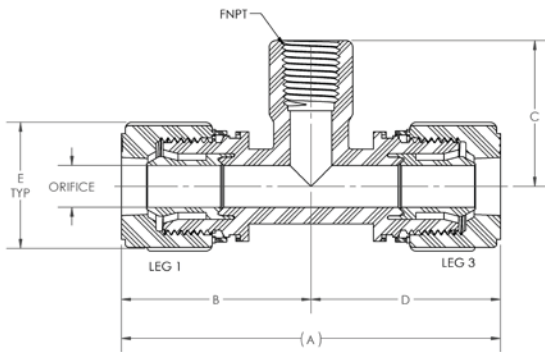


Male Run Tee (Male x Male x MNPT)

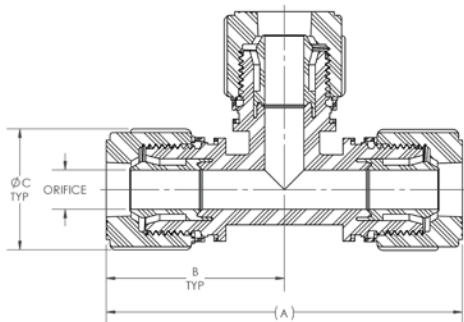
Part No.	Leg 1 Tube Size	Leg 2 Tube Size	MNPT Size	Orifice	A	B	C	D	E	F
NXG-MRT44-2N-3	1/4" x 5/32"	1/4" x 5/32"	1/8"	.15	2.00	1.17	1.17	.83	.68	.68
NXG-MRT44-4N-3	1/4" x 5/32"	1/4" x 5/32"	1/4"	.15	2.16	1.17	1.17	.98	.68	.68
NXG-MRT44-6N-3	1/4" x 5/32"	1/4" x 5/32"	3/8"	.15	2.27	1.17	1.17	1.20	.68	.68
NXG-MRT66-4N-3	3/8" x 1/4"	3/8" x 1/4"	1/4"	.25	2.47	1.49	1.49	.98	.97	.97
NXG-MRT66-6N-3	3/8" x 1/4"	3/8" x 1/4"	3/8"	.25	2.59	1.49	1.49	1.10	.97	.97
NXG-MRT66-8N-3	3/8" x 1/4"	3/8" x 1/4"	1/2"	.25	2.83	1.49	1.49	1.34	.97	.97
NXG-MRT88-6N-3	1/2" x 3/8"	1/2" x 3/8"	3/8"	.38	2.88	1.70	1.70	1.18	1.16	1.16
NXG-MRT88-8N-3	1/2" x 3/8"	1/2" x 3/8"	1/2"	.38	3.04	1.70	1.70	1.34	1.16	1.16
NXG-MRT1212-8N-3	3/4" x 5/8"	3/4" x 5/8"	1/2"	.50	3.63	2.14	2.14	1.50	1.56	1.56
NXG-MRT1212-12N-3	3/4" x 5/8"	3/4" x 5/8"	3/4"	.63	3.71	2.14	2.14	1.58	1.56	1.56
NXG-MRT1616-12N-3	1" x 7/8"	1" x 7/8"	3/4"	.71	4.32	2.55	2.55	1.77	1.97	1.97
NXG-MRT1616-16N-3	1" x 7/8"	1" x 7/8"	1"	.88	4.32	2.55	2.55	1.77	1.97	1.97



Female Branch Tee (Male x FNPT x Male)									
Part No.	Leg 1 Tube Size	Leg 2 Tube Size	FNPT Size	Orifice	A	B	C	D	E
NXG-FBT66-4N-3	1/4" x 5/32"	1/4" x 5/32"	1/4"	.25	2.97	1.49	1.06	1.49	.97
NXG-FBT88-4N-3	1/2" x 3/8"	1/2" x 3/8"	1/4"	.38	3.41	1.70	1.31	1.70	1.16
NXG-FBT88-8N-3	1/2" x 3/8"	1/2" x 3/8"	1/2"	.38	3.41	1.70	1.29	1.70	1.16
NXG-FBT1212-4N-3	3/4" x 5/8"	3/4" x 5/8"	1/4"	.38	4.27	2.14	1.29	2.14	1.56
NXG-FBT1212-12N-3	3/4" x 5/8"	3/4" x 5/8"	3/4"	.63	4.27	2.14	1.52	2.14	1.56
NXG-FBT1212-16N-3	3/4" x 5/8"	3/4" x 5/8"	1"	.63	4.27	2.14	2.10	2.14	1.56
NXG-FBT1616-4N-3	1" x 7/8"	1" x 7/8"	1/4"	.38	5.09	2.55	1.42	2.55	1.97
NXG-FBT1616-8N-3	1" x 7/8"	1" x 7/8"	1/2"	.68	5.09	2.55	1.41	2.55	1.97
NXG-FBT1616-16N-3	1" x 7/8"	1" x 7/8"	1"	.88	5.09	2.55	2.10	2.55	1.97

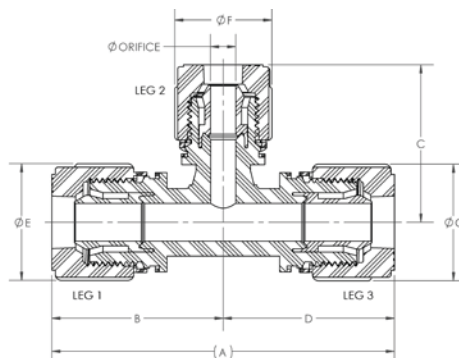


Union Tee (Male x Male x Male)					
Part No.	Tube Size	Orifice	A	B	C
NXG-UT4N-3	1/4" x 5/32"	.15	2.34	1.17	.68
NXG-UT6N-3	3/8" x 1/4"	.25	2.97	1.49	.97
NXG-UT8N-3	1/2" x 3/8"	.38	3.41	1.70	1.16
NXG-UT12N-3	3/4" x 5/8"	.63	4.27	2.14	1.56
NXG-UT16N-3	1" x 7/8"	.88	5.09	2.55	1.97



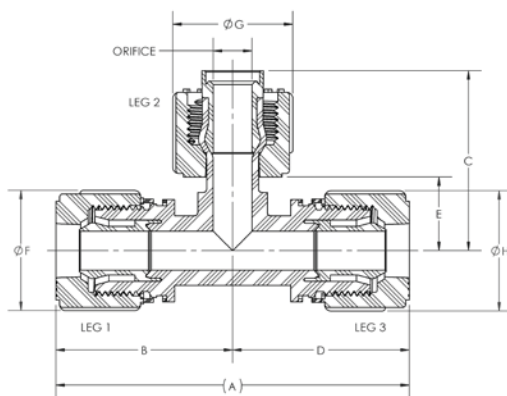
Union Tee Reducer (Male x Male x Male)

Part No.	Leg 1 Tube Size	Leg 2 Connection Size	Leg 3 Tube Size	Orifice	A	B	C	D	E	F	G
NXG-UT4-6-4N-3	1/4" x 5/32"	3/8" x 1/4"	1/4" x 5/32"	.15	2.34	1.17	1.49	1.17	.68	.97	.68
NXG-UT4-8-4N-3	1/4" x 5/32"	1/2" x 3/8"	1/4" x 5/32"	.15	2.34	1.17	1.70	1.17	.68	1.16	.68
NXG-UT6-4-4N-3	3/8" x 1/4"	1/4" x 5/32"	1/4" x 5/32"	.15	2.66	1.49	1.17	1.17	.97	.68	.68
NXG-UT6-4-6N-3	3/8" x 1/4"	1/4" x 5/32"	3/8" x 1/4"	.15	2.97	1.49	1.29	1.49	.97	.68	.97
NXG-UT6-6-4N-3	3/8" x 1/4"	3/8" x 1/4"	1/4" x 5/32"	.15	2.78	1.49	1.49	1.29	.97	.97	.68
NXG-UT6-8-6N-3	3/8" x 1/4"	1/2" x 3/8"	3/8" x 1/4"	.25	2.97	1.49	1.70	1.49	.97	1.16	.97
NXG-UT8-4-4N-3	1/2" x 3/8"	1/4" x 5/32"	1/4" x 5/32"	.15	2.87	1.70	1.17	1.17	1.16	.68	.68
NXG-UT8-4-6N-3	1/2" x 3/8"	1/4" x 5/32"	3/8" x 1/4"	.15	3.27	1.70	1.41	1.56	1.16	.68	.97
NXG-UT8-4-8N-3	1/2" x 3/8"	1/4" x 5/32"	1/2" x 3/8"	.15	3.41	1.70	1.41	1.70	1.16	.68	1.16
NXG-UT8-6-6N-3	1/2" x 3/8"	3/8" x 1/4"	3/8" x 1/4"	.25	3.19	1.70	1.49	1.49	1.16	.97	.97
NXG-UT8-6-8N-3	1/2" x 3/8"	3/8" x 1/4"	1/2" x 3/8"	.25	3.41	1.70	1.56	1.70	1.16	.97	1.16
NXG-UT8-8-4N-3	1/2" x 3/8"	1/2" x 3/8"	1/4" x 5/32"	.15	3.11	1.70	1.70	1.41	1.16	1.16	.68
NXG-UT8-8-6N-3	1/2" x 3/8"	1/2" x 3/8"	3/8" x 1/4"	.25	3.27	1.70	1.70	1.56	1.16	1.16	.97
NXG-UT8-12-8N-3	1/2" x 3/8"	3/4" x 5/8"	1/2" x 3/8"	.38	3.41	1.70	2.14	1.70	1.16	1.56	1.16
NXG-UT12-4-12N-3	3/4" x 5/8"	1/4" x 5/32"	3/4" x 5/8"	.15	4.27	2.14	1.52	2.14	1.56	.68	1.56
NXG-UT12-6-6N-3	3/4" x 5/8"	3/8" x 1/4"	3/8" x 1/4"	.25	3.62	2.14	1.49	1.49	1.56	.97	.97
NXG-UT12-6-12N-3	3/4" x 5/8"	3/8" x 1/4"	3/4" x 5/8"	.25	4.27	2.14	1.80	2.14	1.56	.97	1.56
NXG-UT12-8-8N-3	3/4" x 5/8"	1/2" x 3/8"	1/2" x 3/8"	.38	3.84	2.14	1.70	1.70	1.56	1.16	1.16
NXG-UT12-8-12N-3	3/4" x 5/8"	1/2" x 3/8"	3/4" x 5/8"	.38	4.27	2.14	1.95	2.14	1.56	1.16	1.56
NXG-UT12-12-4N-3	3/4" x 5/8"	3/4" x 5/8"	1/4" x 5/32"	.15	3.66	2.14	2.14	1.52	1.56	1.56	.68
NXG-UT12-12-6N-3	3/4" x 5/8"	3/4" x 5/8"	3/8" x 1/4"	.25	3.94	2.14	2.14	1.80	1.56	1.56	.97
NXG-UT12-12-8N-3	3/4" x 5/8"	3/4" x 5/8"	1/2" x 3/8"	.38	4.08	2.14	2.14	1.95	1.56	1.56	1.16
NXG-UT12-16-12N-3	3/4" x 5/8"	1" x 7/8"	3/4" x 5/8"	.63	4.27	2.14	2.55	2.14	1.56	1.97	1.56
NXG-UT16-4-16N-3	1" x 7/8"	1/4" x 5/32"	1" x 7/8"	.15	5.09	2.55	1.64	2.55	1.97	.68	1.97
NXG-UT16-6-16N-3	1" x 7/8"	3/8" x 1/4"	1" x 7/8"	.25	5.09	2.55	1.92	2.55	1.97	.97	1.97
NXG-UT16-8-16N-3	1" x 7/8"	1/2" x 3/8"	1" x 7/8"	.38	5.09	2.55	2.07	2.55	1.97	1.16	1.97
NXG-UT16-12-16N-3	1" x 7/8"	3/4" x 5/8"	1" x 7/8"	.63	5.09	2.55	2.36	2.55	1.97	1.56	1.97
NXG-UT16-8-8N-3	1" x 7/8"	1/2" x 3/8"	1/2" x 3/8"	.38	4.25	2.55	1.70	1.70	1.97	1.16	1.16
NXG-UT16-12-8N-3	1" x 7/8"	3/4" x 5/8"	1/2" x 3/8"	.38	4.49	2.55	2.14	1.95	1.97	1.56	1.16
NXG-UT16-12-12N-3	1" x 7/8"	3/4" x 5/8"	3/4" x 5/8"	.63	4.68	2.55	2.14	2.14	1.97	1.56	1.56
NXG-UT16-12-16N-3	1" x 7/8"	3/4" x 5/8"	1" x 7/8"	.63	5.09	2.55	2.36	2.55	1.97	1.56	1.97
NXG-UT16-16-4N-3	1" x 7/8"	1" x 7/8"	1/4" x 5/32"	.15	4.19	2.55	2.55	1.64	1.97	1.97	.68
NXG-UT16-16-8N-3	1" x 7/8"	1" x 7/8"	1/2" x 3/8"	.38	4.61	2.55	2.55	2.07	1.97	1.97	1.16
NXG-UT16-16-12N-3	1" x 7/8"	1" x 7/8"	3/4" x 5/8"	.63	4.91	2.55	2.55	2.36	1.97	1.97	1.56



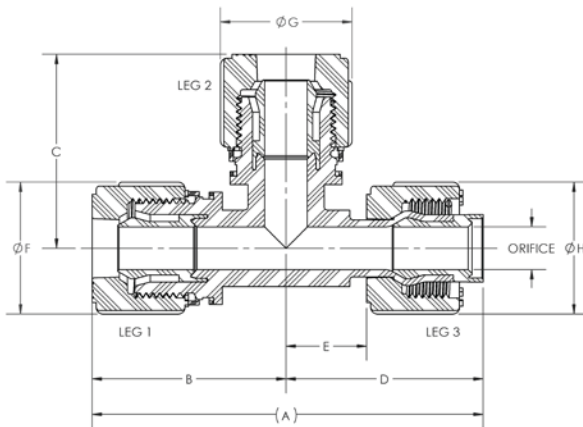
Union Tee (TightINSERT) Branch (Male x Female x Male)

Part No.	Leg 1 Tube Size	Leg 2 Connection Size	Leg 3 Tube Size	Orifice	A	B	C	D	E	F	G	H
NXG-UT4-4T-4N-3	1/4" x 5/32"	1/4"	1/4" x 5/32"	.15	2.34	1.17	1.14	1.17	.46	.68	.68	.68
NXG-UT4-6T-4N-3	1/4" x 5/32"	3/8"	1/4" x 5/32"	.15	2.34	1.17	1.47	1.17	.64	.68	.97	.68
NXG-UT6-4T-6N-3	3/8" x 1/4"	1/4"	3/8" x 1/4"	.15	2.97	1.49	1.38	1.49	.70	.97	.68	.97
NXG-UT6-6T-6N-3	3/8" x 1/4"	3/8"	3/8" x 1/4"	.25	2.97	1.49	1.47	1.49	.64	.97	.97	.97
NXG-UT6-8T-6N-3	3/8" x 1/4"	1/2"	3/8" x 1/4"	.25	2.97	1.49	1.73	1.49	.71	.97	1.16	.97
NXG-UT8-4T-8N-3	1/2" x 3/8"	1/4"	1/2" x 3/8"	.15	3.41	1.70	1.14	1.70	.46	1.16	.68	1.16
NXG-UT8-6T-8N-3	1/2" x 3/8"	3/8"	1/2" x 3/8"	.25	3.41	1.70	1.46	1.70	.63	1.16	.97	1.16
NXG-UT8-8T-6N-3	1/2" x 3/8"	1/2"	3/8" x 1/4"	.25	3.27	1.70	1.73	1.56	.71	1.16	1.16	.97
NXG-UT8-8T-8N-3	1/2" x 3/8"	1/2"	1/2" x 3/8"	.38	3.41	1.70	1.73	1.70	.71	1.16	1.16	1.16
NXG-UT8-12T-8N-3	1/2" x 3/8"	3/4"	1/2" x 3/8"	.38	3.41	1.70	2.10	1.70	.87	1.16	1.56	1.16
NXG-UT12-6T-12N-3	3/4" x 5/8"	3/8"	3/4" x 5/8"	.25	4.27	2.14	1.82	2.14	.99	1.56	.97	1.56
NXG-UT12-8T-12N-3	3/4" x 5/8"	1/2"	3/4" x 5/8"	.38	4.27	2.14	1.97	2.14	.95	1.56	1.16	1.56
NXG-UT12-8T-8N-3	3/4" x 5/8"	1/2"	1/2" x 3/8"	.38	3.84	2.14	1.73	1.70	.71	1.56	1.16	1.16
NXG-UT12-12T-8N-3	3/4" x 5/8"	3/4"	1/2" x 3/8"	.38	4.08	2.14	2.10	1.95	.87	1.56	1.56	1.16
NXG-UT12-12T-12N-3	3/4" x 5/8"	3/4"	3/4" x 5/8"	.63	4.27	2.14	2.10	2.14	.87	1.56	1.56	1.56
NXG-UT12-16T-8N-3	3/4" x 5/8"	1"	1/2" x 3/8"	.38	4.08	2.14	2.55	1.95	1.11	1.56	1.97	1.16
NXG-UT12-16T-12N-3	3/4" x 5/8"	1"	3/4" x 5/8"	.63	4.27	2.14	2.55	2.14	1.11	1.56	1.97	1.56
NXG-UT16-8T-16N-3	1" x 7/8"	1/2"	1" x 7/8"	.38	5.09	2.55	1.87	2.55	.84	1.97	1.16	1.97
NXG-UT16-12T-16N-3	1" x 7/8"	3/4"	1" x 7/8"	.63	5.09	2.55	2.10	2.55	.87	1.97	1.56	1.97
NXG-UT16-16T-8N-3	1" x 7/8"	1"	1/2" x 3/8"	.38	4.61	2.55	2.55	2.07	1.11	1.97	1.97	1.16
NXG-UT16-16T-16N-3	1" x 7/8"	1"	1" x 7/8"	.88	5.09	2.55	2.55	2.55	1.11	1.97	1.97	1.97



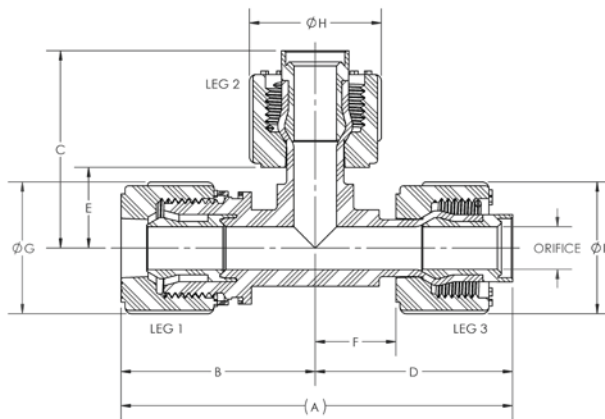
Union Tee (TightINSERT) Run (Male x Male x Female)

Part No.	Leg 1 Tube Size	Leg 2 Tube Size	Leg 3 Connection Size	Orifice	A	B	C	D	E	F	G	H
NXG-UT4-4-4TN-3	1/4" x 5/32"	1/4" x 5/32"	1/4"	.15	2.31	1.17	1.17	1.14	.46	.68	.68	.68
NXG-UT4-6-6TN-3	1/4" x 5/32"	3/8" x 1/4"	3/8"	.15	2.75	1.27	1.49	1.47	.64	.68	.97	.97
NXG-UT6-4-6TN-3	3/8" x 1/4"	1/4" x 5/32"	3/8"	.15	2.96	1.49	1.29	1.47	.64	.97	.68	.97
NXG-UT6-6-4TN-3	3/8" x 1/4"	3/8" x 1/4"	1/4"	.15	2.75	1.49	1.49	1.26	.58	.97	.97	.68
NXG-UT6-6-6TN-3	3/8" x 1/4"	3/8" x 1/4"	3/8"	.25	2.96	1.49	1.49	1.47	.64	.97	.97	.97
NXG-UT6-6-8TN-3	3/8" x 1/4"	3/8" x 1/4"	1/2"	.25	3.22	1.49	1.49	1.73	.71	.97	.97	1.16
NXG-UT6-8-8TN-3	3/8" x 1/4"	1/2" x 3/8"	1/2"	.25	3.30	1.56	1.70	1.73	.71	.97	1.16	1.16
NXG-UT6-12-12TN-3	3/8" x 1/4"	3/4" x 5/8"	3/4"	.25	3.92	1.82	2.14	2.10	.87	.97	1.56	1.56
NXG-UT8-4-8TN-3	1/2" x 3/8"	1/4" x 5/32"	1/2"	.15	3.43	1.70	1.41	1.73	.71	1.16	.68	1.16
NXG-UT8-6-6TN-3	1/2" x 3/8"	3/8" x 1/4"	3/8"	.25	3.18	1.70	1.49	1.47	.64	1.16	.97	.97
NXG-UT8-6-8TN-3	1/2" x 3/8"	3/8" x 1/4"	1/2"	.25	3.43	1.70	1.56	1.73	.71	1.16	.97	1.16
NXG-UT8-8-6TN-3	1/2" x 3/8"	1/2" x 3/8"	3/8"	.25	3.16	1.70	1.70	1.46	.63	1.16	1.16	.97
NXG-UT8-8-8TN-3	1/2" x 3/8"	1/2" x 3/8"	1/2"	.38	3.43	1.70	1.70	1.73	.71	1.16	1.16	1.16
NXG-UT8-8-12TN-3	1/2" x 3/8"	1/2" x 3/8"	3/4"	.38	3.80	1.70	1.70	2.10	.87	1.16	1.16	1.56
NXG-UT8-12-12TN-3	1/2" x 3/8"	3/4" x 5/8"	3/4"	.38	4.04	1.95	2.14	2.10	.87	1.16	1.56	1.56
NXG-UT12-4-12TN-3	3/4" x 5/8"	1/4" x 5/32"	3/4"	.15	4.23	2.14	1.53	2.10	.87	1.56	.68	1.56
NXG-UT12-6-12TN-3	3/4" x 5/8"	3/8" x 1/4"	3/4"	.25	4.23	2.14	1.80	2.10	.87	1.56	.97	1.56
NXG-UT12-8-12TN-3	3/4" x 5/8"	1/2" x 3/8"	3/4"	.38	4.23	2.14	1.95	2.10	.87	1.56	1.16	1.56
NXG-UT12-12-8TN-3	3/4" x 5/8"	3/4" x 5/8"	1/2"	.38	4.11	2.14	2.14	1.97	.95	1.56	1.56	1.16
NXG-UT12-12-12TN-3	3/4" x 5/8"	3/4" x 5/8"	3/4"	.63	4.23	2.14	2.14	2.10	.87	1.56	1.56	1.56
NXG-UT12-12-16TN-3	3/4" x 5/8"	3/4" x 5/8"	1"	.63	4.68	2.14	2.14	2.55	1.11	1.56	1.56	1.97
NXG-UT12-16-12TN-3	3/4" x 5/8"	1" x 7/8"	3/4"	.63	4.23	2.14	2.55	2.10	.87	1.56	1.97	1.56
NXG-UT16-6-16TN-3	1" x 7/8"	3/8" x 1/4"	1"	.25	5.09	2.55	1.92	2.55	1.11	1.97	.97	1.97
NXG-UT16-8-16TN-3	1" x 7/8"	1/2" x 3/8"	1"	.38	5.09	2.55	2.07	2.55	1.11	1.97	1.16	1.97
NXG-UT16-12-16TN-3	1" x 7/8"	3/4" x 5/8"	1"	.63	5.09	2.55	2.36	2.55	1.11	1.97	1.56	1.97
NXG-UT16-16-12TN-3	1" x 7/8"	1" x 7/8"	3/4"	.63	4.64	2.55	2.55	2.10	.87	1.97	1.97	1.56
NXG-UT16-16-16TN-3	1" x 7/8"	1" x 7/8"	1"	.88	5.09	2.55	2.55	2.55	1.11	1.97	1.97	1.97



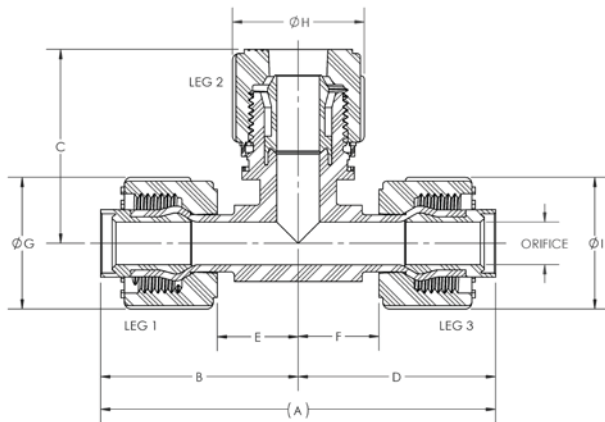
Union Tee (TightINSERT) Branch-Run (Male x Female x Female)

Part No.	Leg 1 Tube Size	Leg 2 Connection Size	Leg 3 Connection Size	Orifice	A	B	C	D	E	F	G	H	I
NXG-UT4-4T-4TN-3	1/4" x 5/32"	1/4"	1/4"	.15	2.31	1.17	1.14	1.14	.46	.46	.68	.68	.68
NXG-UT6-4T-4TN-3	3/8" x 1/4"	1/4"	1/4"	.15	2.63	1.49	1.14	1.14	.46	.46	.98	.68	.68
NXG-UT6-4T-6TN-3	3/8" x 1/4"	1/4"	3/8"	.15	2.96	1.49	1.38	1.47	.70	.64	.97	.68	.97
NXG-UT6-6T-4TN-3	3/8" x 1/4"	3/8"	1/4"	.25	2.75	1.49	1.47	1.26	.64	.58	.97	.97	.68
NXG-UT6-6T-6TN-3	3/8" x 1/4"	3/8"	3/8"	.25	2.96	1.49	1.47	1.47	.64	.64	.97	.97	.97
NXG-UT6-8T-8TN-3	3/8" x 1/4"	1/2"	1/2"	.25	3.30	1.56	1.73	1.73	.71	.71	.97	1.16	1.16
NXG-UT8-6T-6TN-3	1/2" x 3/8"	3/8"	3/8"	.25	3.18	1.70	1.47	1.47	.64	.64	1.16	.97	.97
NXG-UT8-6T-8TN-3	1/2" x 3/8"	3/8"	1/2"	.25	3.43	1.70	1.47	1.73	.64	.71	1.16	.97	1.16
NXG-UT8-8T-6TN-3	1/2" x 3/8"	1/2"	3/8"	.25	3.16	1.70	1.73	1.46	.71	.63	1.16	1.16	.97
NXG-UT8-8T-8TN-3	1/2" x 3/8"	1/2"	1/2"	.38	3.43	1.70	1.73	1.73	.71	.71	1.16	1.16	1.16
NXG-UT12-8T-8TN-3	3/4" x 5/8"	1/2"	1/2"	.38	4.11	2.14	1.73	1.73	.71	.71	1.56	1.16	1.16
NXG-UT12-8T-12TN-3	3/4" x 5/8"	1/2"	3/4"	.38	4.23	2.14	1.97	2.10	.95	.87	1.56	1.16	1.56
NXG-UT12-12T-4TN-3	3/4" x 5/8"	3/4"	1/4"	.15	3.63	2.14	2.10	1.50	.87	.81	1.56	1.56	.68
NXG-UT12-12T-6TN-3	3/4" x 5/8"	3/4"	3/8"	.25	3.95	2.14	2.10	1.82	.87	.99	1.56	1.56	.97
NXG-UT12-12T-8TN-3	3/4" x 5/8"	3/4"	1/2"	.38	4.11	2.14	2.10	1.97	.87	.95	1.56	1.56	1.16
NXG-UT12-12T-12TN-3	3/4" x 5/8"	3/4"	3/4"	.63	4.23	2.14	2.10	2.10	.87	.87	1.56	1.56	1.56
NXG-UT12-16T-12TN-3	3/4" x 5/8"	1"	3/4"	.63	4.23	2.14	2.55	2.10	1.11	.87	1.56	1.97	1.56
NXG-UT16-8T-16TN-3	1" x 7/8"	1/2"	1"	.25	5.09	2.55	1.87	2.55	.84	1.11	1.97	1.16	1.97
NXG-UT16-12T-12TN-3	1" x 7/8"	3/4"	3/4"	.63	4.64	2.55	2.10	2.10	.87	.87	1.97	1.56	1.56
NXG-UT16-12T-16TN-3	1" x 7/8"	3/4"	1"	.63	5.09	2.55	2.10	2.55	.87	1.11	1.97	1.56	1.97
NXG-UT16-16T-12TN-3	1" x 7/8"	1"	3/4"	.63	4.64	2.55	2.55	2.10	1.11	.87	1.97	1.97	1.56
NXG-UT16-16T-16TN-3	1" x 7/8"	1"	1"	.88	5.09	2.55	2.55	2.55	1.11	1.11	1.97	1.97	1.97

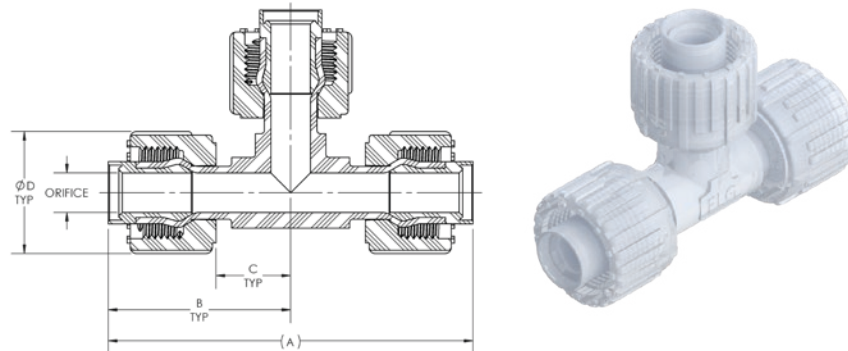


Union Tee (TightINSERT) Run-Run (Female x Male x Female)

Part No.	Leg 1 Connection Size	Leg 2 Tube Size	Leg 3 Connection Size	Orifice	A	B	C	D	E	F	G	H	I
NXG-UT4T-4-4TN-3	1/4"	1/4" x 5/32"	1/4"	.15	2.28	1.14	1.17	1.14	.46	.46	.68	.68	.68
NXG-UT4T-6-4TN-3	1/4"	3/8" x 1/4"	1/4"	.15	2.28	1.14	1.49	1.14	.46	.46	.68	.97	.68
NXG-UT6T-4-6TN-3	3/8"	1/4" x 5/32"	3/8"	.15	2.95	1.47	1.29	1.47	.64	.64	.97	.68	.97
NXG-UT6T-6-6TN-3	3/8"	3/8" x 1/4"	3/8"	.25	2.95	1.47	1.49	1.47	.64	.64	.97	.97	.97
NXG-UT6T-8-6TN-3	3/8"	1/2" x 3/8"	3/8"	.25	2.95	1.47	1.70	1.47	.64	.64	.97	1.16	.97
NXG-UT8T-4-8TN-3	1/2"	1/4" x 5/32"	1/2"	.15	3.46	1.73	1.41	1.73	.71	.71	1.16	.68	1.16
NXG-UT8T-6-6TN-3	1/2"	3/8" x 1/4"	3/8"	.25	3.21	1.73	1.49	1.47	.71	.64	1.16	.97	.97
NXG-UT8T-6-8TN-3	1/2"	3/8" x 1/4"	1/2"	.25	3.46	1.73	1.56	1.73	.71	.71	1.16	.97	1.16
NXG-UT8T-8-6TN-3	1/2"	1/2" x 3/8"	3/8"	.25	3.19	1.73	1.70	1.46	.71	.63	1.16	1.16	.96
NXG-UT8T-8-8TN-3	1/2"	1/2" x 3/8"	1/2"	.38	3.46	1.73	1.70	1.73	.71	.71	1.16	1.16	1.16
NXG-UT8T-12-8TN-3	1/2"	3/4" x 5/8"	1/2"	.38	3.46	1.73	1.95	1.73	.71	.71	1.16	1.56	1.16
NXG-UT12T-4-12TN-3	3/4"	1/4" x 5/32"	3/4"	.15	4.16	2.10	1.52	2.10	.87	.87	1.56	.68	1.56
NXG-UT12T-6-12TN-3	3/4"	3/8" x 1/4"	3/4"	.25	4.19	2.10	1.80	2.10	.87	.87	1.56	.97	1.56
NXG-UT12T-8-12TN-3	3/4"	1/2" x 3/8"	3/4"	.38	4.19	2.10	1.95	2.10	.87	.87	1.56	1.16	1.56
NXG-UT12T-12-12TN-3	3/4"	3/4" x 5/8"	3/4"	.63	4.19	2.10	2.14	2.10	.87	.87	1.56	1.56	1.56
NXG-UT12T-16-12TN-3	3/4"	1" x 7/8"	3/4"	.63	4.19	2.10	2.55	2.10	.87	.87	1.56	1.97	1.56
NXG-UT16T-4-16TN-3	1"	1/4" x 5/32"	1"	.15	5.09	2.55	1.64	2.55	1.11	1.11	1.97	.68	1.97
NXG-UT16T-6-16TN-3	1"	3/8" x 1/4"	1"	.25	5.09	2.55	1.92	2.55	1.11	1.11	1.97	.97	1.97
NXG-UT16T-8-16TN-3	1"	1/2" x 3/8"	1"	.38	5.09	2.55	2.07	2.55	1.11	1.11	1.97	1.16	1.97
NXG-UT16T-12-16TN-3	1"	3/4" x 5/8"	1"	.63	5.09	2.55	2.36	2.55	1.11	1.11	1.97	1.56	1.97
NXG-UT16T-16-16TN-3	1"	1" x 7/8"	1"	.88	5.09	2.55	2.55	2.55	1.11	1.11	1.97	1.97	1.97
NXG-UT16T-16-16TN-3	1"	1" x 7/8"	1"	.88	5.09	2.55	2.55	2.55	1.11	1.11	1.97	1.97	1.97

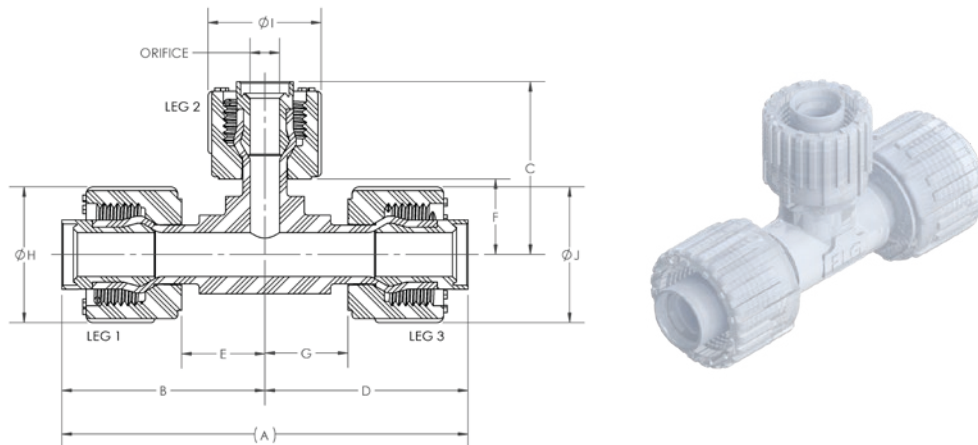


Union Tee (TightINSERT) All (Female x Female x Female)						
Part No.	Connection Size	Orifice	A	B	C	D
NXG-UT4TN-3	1/4"	.15	2.28	1.14	.46	.68
NXG-UT6TN-3	3/8"	.25	2.95	1.47	.64	.97
NXG-UT8TN-3	1/2"	.38	3.46	1.73	.71	1.16
NXG-UT12TN-3	3/4"	.63	4.19	2.10	.87	1.56
NXG-UT16TN-3	1"	.88	5.09	2.55	1.11	1.97

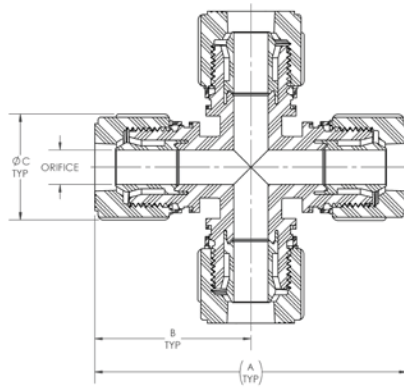


Union Tee Reducer (TightINSERT) All (Female x Female x Female)

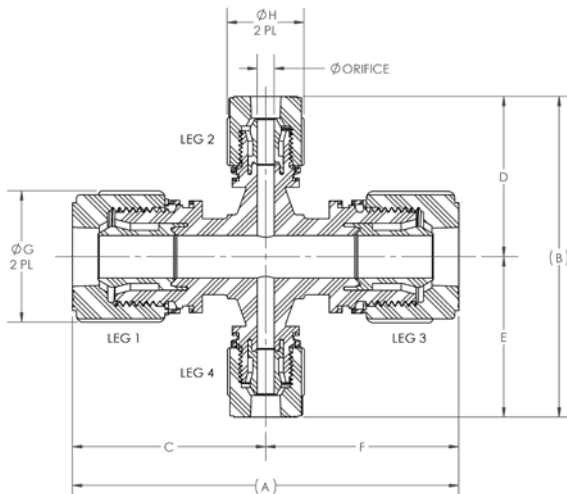
Part No.	Leg 1 Connection Size	Leg 2 Tube Size	Leg 3 Connection Size	Orifice	A	B	C	D	E	F	G	H	I	J
NXG-UT4T-6T-4TN-3	1/4"	3/8"	1/4"	.15	2.28	1.14	1.47	1.14	.46	.64	.46	.68	.97	.68
NXG-UT6T-4T-6TN-3	3/8"	1/4"	3/8"	.15	2.95	1.47	1.38	1.47	.64	.70	.64	.97	.68	.97
NXG-UT6T-8T-6TN-3	3/8"	1/2"	3/8"	.25	2.95	1.47	1.73	1.47	.64	.71	.64	.97	1.16	.97
NXG-UT8T-6T-6TN-3	1/2"	3/8"	3/8"	.25	3.21	1.73	1.47	1.47	.71	.64	.64	1.16	.97	.97
NXG-UT8T-6T-8TN-3	1/2"	3/8"	1/2"	.25	3.46	1.73	1.47	1.73	.71	.64	.71	1.16	.97	1.16
NXG-UT8T-12T-8TN-3	1/2"	3/4"	1/2"	.38	3.46	1.73	2.10	1.73	.71	.87	.71	1.16	1.56	1.16
NXG-UT12T-8T-12TN-3	3/4"	1/2"	3/4"	.38	4.19	2.10	1.97	2.10	.87	.95	.87	1.56	1.16	1.56
NXG-UT12T-12T-8TN-3	3/4"	3/4"	1/2"	.38	4.07	2.10	2.10	1.97	.87	.87	.95	1.56	1.56	1.16
NXG-UT12T-16T-12TN-3	3/4"	1"	3/4"	.63	4.19	2.10	2.55	2.10	.87	1.11	.87	1.56	1.97	1.56
NXG-UT16T-12T-16TN-3	1"	3/4"	1"	.63	5.09	2.55	2.10	2.55	1.11	.87	1.11	1.97	1.56	1.97



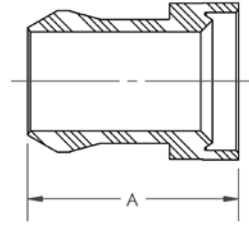
Union Cross (Male x Male x Male x Male)					
Part No.	Tube Size	Orifice	A	B	C
NXG-UX4N-3	1/4" x 5/32"	.15	2.34	1.17	.68
NXG-UX6N-3	3/8" x 1/4"	.25	2.97	1.49	.97
NXG-UX8N-3	1/2" x 3/8"	.38	3.41	1.70	1.16
NXG-UX12N-3	3/4" x 5/8"	.63	4.27	2.14	1.56
NXG-UX16N-3	1" x 7/8"	.88	5.09	2.55	1.97



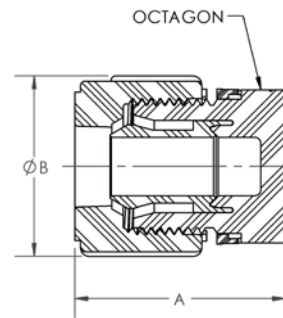
Union Cross Reducer (Male x Male x Male x Male)													
Part No.	Leg 1 Tube Size	Leg 2 Tube Size	Leg 3 Tube Size	Leg 4 Tube Size	Orifice	A	B	C	D	E	F	G	H
NXG-UX8-4-8-4N-3	1/2" x 3/8"	1/4" x 5/32"	1/2" x 3/8"	1/4" x 5/32"	.15	3.41	2.83	1.70	1.41	1.41	1.70	1.16	.68
NXG-UX12-6-12-6N-3	3/4" x 5/8"	3/8" x 1/4"	3/4" x 5/8"	3/8" x 1/4"	.25	4.27	3.61	2.14	1.80	1.80	2.14	1.56	.97
NXG-UX16-6-16-6N-3	1" x 7/8"	3/8" x 1/4"	1" x 7/8"	3/8" x 1/4"	.25	5.09	3.85	2.55	1.92	1.92	2.55	1.97	.97
NXG-UX16-8-16-8N-3	1" x 7/8"	1/2" x 3/8"	1" x 7/8"	1/2" x 3/8"	.38	5.09	4.13	2.55	2.07	2.07	2.55	1.97	1.16



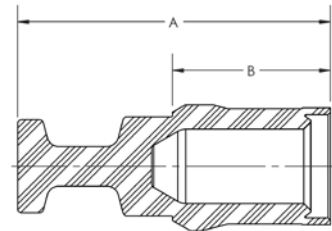
Sleeve		
Part No.	Tube Size	A
NXG-S4-3	1/4" x 5/32"	.49
NXG-S6-3	3/8" x 1/4"	.63
NXG-S8-3	1/2" x 3/8"	.80
NXG-S12-3	3/4" x 5/8"	.95
NXG-S16-3	1" x 7/8"	1.22



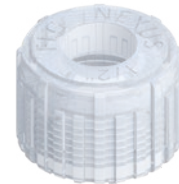
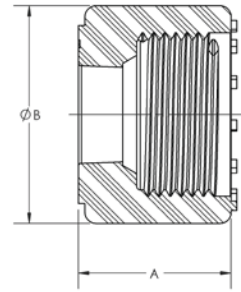
Cap				
Part No.	Tube Size	A	B	Octagon
NXG-CAP4N-3	1/4" x 5/32"	1.03	.68	.59
NXG-CAP6N-3	3/8" x 1/4"	1.20	.97	.83
NXG-CAP8N-3	1/2" x 3/8"	1.35	1.16	1.00
NXG-CAP12N-3	3/4" x 5/8"	1.72	1.56	1.32
NXG-CAP16N-3	1" x 7/8"	2.02	1.97	1.70



Cap Sleeve			
Part No.	Connection Size	A	B
NXG-CS4	1/4"	1.14	.48
NXG-CS6	3/8"	1.38	.62
NXG-CS8	1/2"	1.58	.80
NXG-CS12	3/4"	1.81	.98
NXG-CS16	1"	2.08	1.23



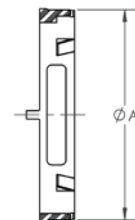
Insert Nut			
Part No.	Connection Size	A	B
NXG-N4-3	1/4"	.61	.68
NXG-N6-3	3/8"	.75	.97
NXG-N8-3	1/2"	.82	1.16
NXG-N12-3	3/4"	.99	1.56
NXG-N16-3	1"	1.09	1.97



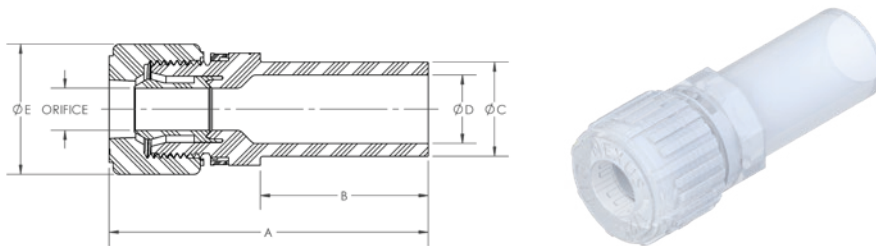
Panel Mount Nut		
Part No.	A	HEX
NXG-PMN4-3	.20	.63
NXG-PMN6-3	.28	.87
NXG-PMN8-3	.35	1.06
NXG-PMN12-3	.35	1.50
NXG-PMN16-3	.39	1.85



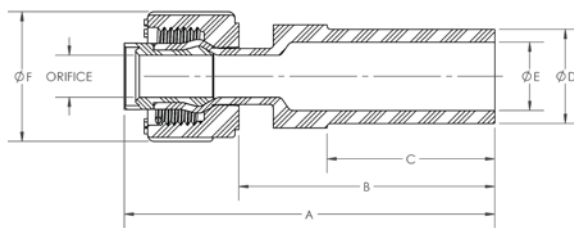
Gauge Ring		
Part No.	Connection Size	A
NXG-GR4	1/4"	.59
NXG-GR6	3/8"	.83
NXG-GR8	1/2"	.98
NXG-GR12	3/4"	1.32
NXG-GR16	1"	1.72



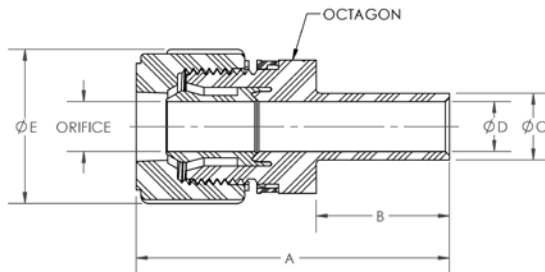
Weld Straight Connector (Pipe x Male)									
Part No.	Pipe Size	Tube Size	Orifice	A	B	C	D	E	Octagon
NXG-WSC4P-4N-3	1/4"	1/4" x 5/32"	.15	1.58	.55	.54	.35	.68	.59
NXG-WSC4P-6N-3	1/4"	3/8" x 1/4"	.25	1.75	.55	.54	.35	.97	.83
NXG-WSC4P-8N-3	1/4"	1/2" x 3/8"	.35	1.90	.55	.54	.35	1.16	1.00
NXG-WSC8P-4N-3	1/2"	1/4" x 5/32"	.15	2.65	1.50	.84	.61	.68	1.00
NXG-WSC8P-6N-3	1/2"	3/8" x 1/4"	.25	2.82	1.50	.84	.61	.97	1.00
NXG-WSC8P-8N-3	1/2"	1/2" x 3/8"	.38	2.85	1.50	.84	.61	1.16	1.00
NXG-WSC8P-12N-3	1/2"	3/4" x 5/8"	.61	3.22	1.50	.84	.61	1.56	1.32
NXG-WSC12P-4N-3	3/4"	1/4" x 5/32"	.15	2.65	1.50	1.05	.81	.68	1.32
NXG-WSC12P-6N-3	3/4"	3/8" x 1/4"	.25	2.82	1.50	1.05	.81	.97	1.32
NXG-WSC12P-8N-3	3/4"	1/2" x 3/8"	.38	2.97	1.50	1.05	.81	1.16	1.32
NXG-WSC12P-12N-3	3/4"	3/4" x 5/8"	.63	3.22	1.50	1.05	.81	1.56	1.32
NXG-WSC12P-16N-3	3/4"	1" x 7/8"	.81	3.52	1.50	1.05	.81	1.97	1.70
NXG-WSC16P-8N-3	1"	1/2" x 3/8"	.38	2.97	1.50	1.32	1.03	1.16	1.70
NXG-WSC16P-12N-3	1"	3/4" x 5/8"	.63	3.42	1.50	1.32	1.03	1.56	1.70
NXG-WSC16P-16N-3	1"	1" x 7/8"	.88	3.62	1.50	1.32	1.03	1.97	1.70



Weld Straight Connector (TightINSERT) (Pipe x Female)									
Part No.	Pipe Size	Connection Size	Orifice	A	B	C	D	E	F
NXG-WSC4P-4TN-3	1/4"	1/4"	.15	1.72	1.04	.55	.54	.35	.68
NXG-WSC4P-6TN-3	1/4"	3/8"	.25	1.86	1.03	.55	.54	.35	.97
NXG-WSC8P-6TN-3	1/2"	3/8"	.25	3.00	2.17	1.50	.84	.61	.97
NXG-WSC8P-8TN-3	1/2"	1/2"	.38	3.31	2.29	1.50	.84	.61	1.16
NXG-WSC12P-8TN-3	3/4"	1/2"	.38	3.31	2.29	1.50	1.05	.81	1.16
NXG-WSC12P-12TN-3	3/4"	3/4"	.63	3.35	2.12	1.50	1.05	.81	1.56
NXG-WSC12P-16TN-3	3/4"	1"	.88	3.60	2.16	1.50	1.05	.81	1.97
NXG-WSC16P-12TN-3	1"	3/4"	.63	3.35	2.12	1.50	1.32	1.03	1.56
NXG-WSC16P-16TN-3	1"	1"	.88	3.58	2.14	1.50	1.32	1.03	1.97

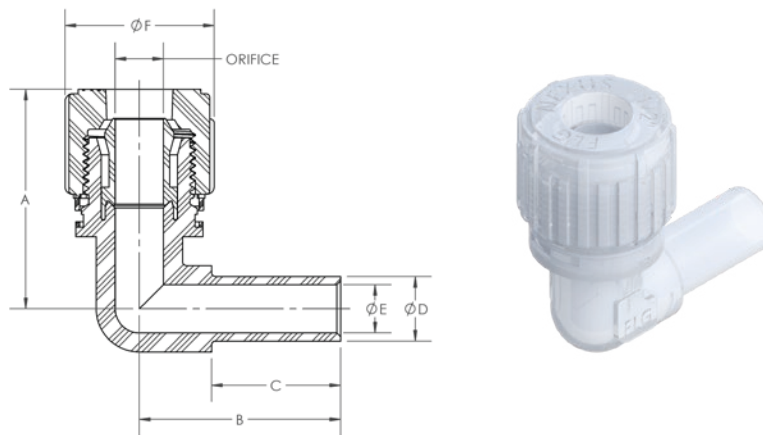


Weld Straight Connector (Tube x Male)									
Part No.	Tube Straight Size	Tube Size	Orifice	A	B	C	D	E	Octagon
NXG-WSC4TS-4N-3	1/4"	1/4" x 5/32"	.15	1.73	.70	.25	.15	.68	.59
NXG-WSC6TS-4N-3	3/8"	1/4" x 5/32"	.15	1.88	.85	.38	.25	.68	.59
NXG-WSC6TS-6N-3	3/8"	3/8" x 1/4"	.25	2.05	.85	.38	.25	.97	.83
NXG-WSC6TS-8N-3	3/8"	1/2" x 3/8"	.25	2.20	.85	.38	.25	1.16	1.00
NXG-WSC8TS-8N-3	1/2"	1/2" x 3/8"	.38	2.35	1.00	.50	.38	1.16	1.00
NXG-WSC8TS-12N-3	1/2"	3/4" x 5/8"	.38	2.72	1.00	.50	.38	1.56	1.32
NXG-WSC12TS-8N-3	3/4"	1/2" x 3/8"	.38	2.53	1.18	.75	.63	1.16	.98
NXG-WSC12TS-12N-3	3/4"	3/4" x 5/8"	.63	2.90	1.18	.75	.63	1.56	1.32
NXG-WSC16TS-8N-3	1"	1/2" x 3/8"	.38	2.87	1.40	1.00	.88	1.16	1.32
NXG-WSC16TS-12N-3	1"	3/4" x 5/8"	.63	3.12	1.40	1.00	.88	1.56	1.32
NXG-WSC16TS-16N-3	1"	1" x 7/8"	.88	3.42	1.40	1.00	.88	1.97	1.70



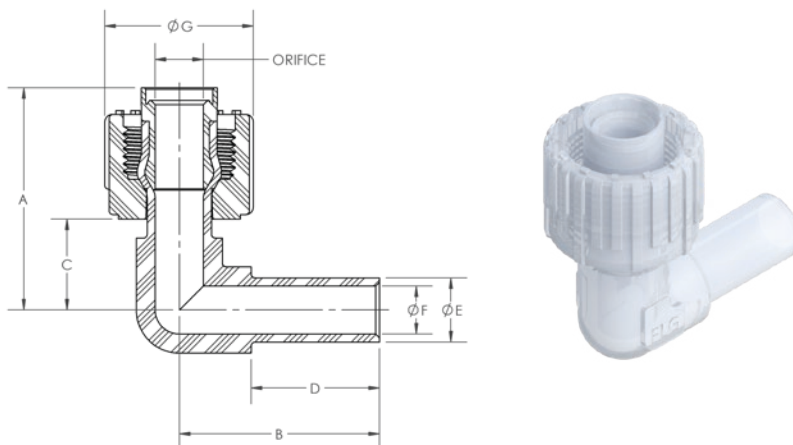
Weld Elbow Connector
(Tube x Male)

Part No.	Tube Straight Size	Tube Size	Orifice	A	B	C	D	E	F
NXG-WEC4TS-4N-3	1/4"	1/4" x 5/32"	.15	1.17	1.07	.70	.25	.15	.68
NXG-WEC6TS-6N-3	3/8"	3/8" x 1/4"	.25	1.49	1.35	.85	.38	.25	.97
NXG-WEC8TS-8N-3	1/2"	1/2" x 3/8"	.38	1.70	1.56	1.00	.50	.38	1.16
NXG-WEC12TS-8N-3	3/4"	1/2" x 3/8"	.38	1.70	1.90	1.18	.75	.63	1.16
NXG-WEC12TS-12N-3	3/4"	3/4" x 5/8"	.63	2.14	1.90	1.18	.75	.63	1.56
NXG-WEC16TS-8N-3	1"	1/2" x 3/8"	.38	1.70	2.31	1.40	1.00	.88	1.16
NXG-WEC16TS-12N-3	1"	3/4" x 5/8"	.63	2.14	2.31	1.40	1.00	.88	1.56
NXG-WEC16TS-16N-3	1"	1" x 7/8"	.88	2.55	2.31	1.40	1.00	.88	1.97



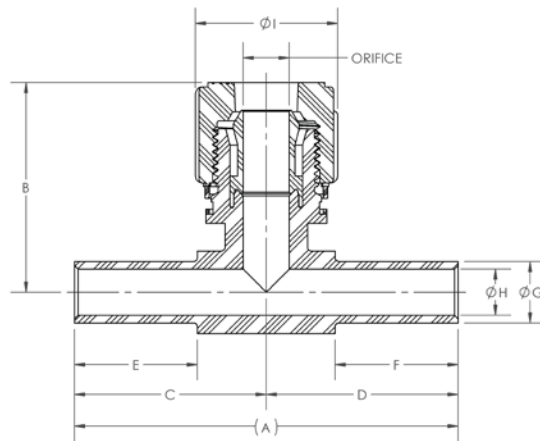
Weld Elbow Connector (TightINSERT)
(Tube x Female)

Part No.	Tube Straight Size	Connection Size	Orifice	A	B	C	D	E	F	G
NXG-WEC4TS-4TN-3	1/4"	1/4"	.15	1.14	1.07	.46	.70	.25	.15	.68
NXG-WEC6TS-6TN-3	3/8"	3/8"	.25	1.47	1.35	.64	.85	.38	.25	.97
NXG-WEC8TS-8TN-3	1/2"	1/2"	.38	1.73	1.56	.71	1.00	.50	.38	1.16
NXG-WEC12TS-12TN-3	3/4"	3/4"	.63	2.10	1.90	.87	1.18	.75	.63	1.56
NXG-WEC16TS-16TN-3	1"	1"	.88	2.55	2.31	1.11	1.40	1.00	.88	1.97



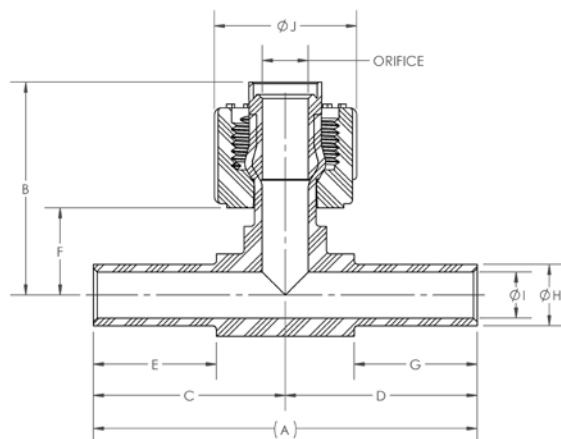
Weld Tee Connector
(Tube x Male x Tube)

Part No.	Leg 1 Tube Straight Size	Leg 2 Tube Size	Leg 3 Tube Straight Size	Orifice	A	B	C	D	E	F	G	H	I
NXG-WTC4TS-4-4TSN-3	1/4"	1/4" x 5/32"	1/4"	.15	2.14	1.17	1.07	1.07	.70	.70	.25	.15	.68
NXG-WTC6TS-4-6TSN-3	3/8"	1/4" x 5/32"	3/8"	.15	2.69	1.17	1.35	1.35	.85	.85	.38	.25	.68
NXG-WTC6TS-6-6TSN-3	3/8"	3/8" x 1/4"	3/8"	.25	2.69	1.49	1.35	1.35	.85	.85	.38	.25	.97
NXG-WTC8TS-8-8TSN-3	1/2"	1/2" x 3/8"	1/2"	.38	3.12	1.70	1.56	1.56	1.00	1.00	.50	.38	1.16
NXG-WTC12TS-8-12TSN-3	3/4"	1/2" x 3/8"	3/4"	.38	3.80	1.95	1.90	1.90	1.18	1.18	.75	.63	1.16
NXG-WTC12TS-12-12TSN-3	3/4"	3/4" x 5/8"	3/4"	.63	3.80	2.14	1.90	1.90	1.18	1.18	.75	.63	1.56
NXG-WTC16TS-12-16TSN-3	1"	3/4" x 5/8"	1"	.63	4.61	2.36	2.31	2.31	1.40	1.40	1.00	.88	1.56
NXG-WTC16TS-16-16TSN-3	1"	1" x 7/8"	1"	.88	4.61	2.55	2.31	2.31	1.40	1.40	1.00	.88	1.97



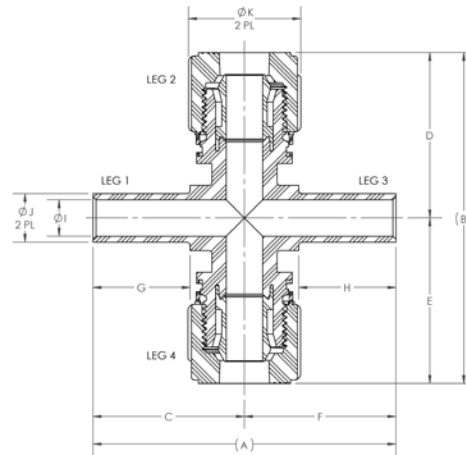
Weld Tee Connector (TightINSERT)
(Tube x Female x Tube)

Part No.	Leg 1 Tube Straight Size	Leg 2 Connection Size	Leg 3 Tube Straight Size	Orifice	A	B	C	D	E	F	G	H	I	J
NXG-WTC4TS-4T-4TSN-3	1/4"	1/4"	1/4"	.15	2.14	1.14	1.07	1.07	.70	.46	.70	.25	.15	.68
NXG-WTC6TS-6T-6TSN-3	3/8"	3/8"	3/8"	.25	2.69	1.47	1.35	1.35	.85	.64	.85	.38	.25	.97
NXG-WTC8TS-8T-8TSN-3	1/2"	1/2"	1/2"	.38	3.12	1.73	1.56	1.56	1.00	.71	1.00	.50	.38	1.16
NXG-WTC12TS-12T-12TSN-3	3/4"	3/4"	3/4"	.63	3.80	2.14	1.90	1.90	1.18	.87	1.18	.75	.63	1.56
NXG-WTC16TS-16T-16TSN-3	1"	1"	1"	.88	4.61	2.55	2.31	2.31	1.40	1.11	1.40	1.00	.88	1.97



Weld Cross Connector
(Male x Tube x Male x Tube)

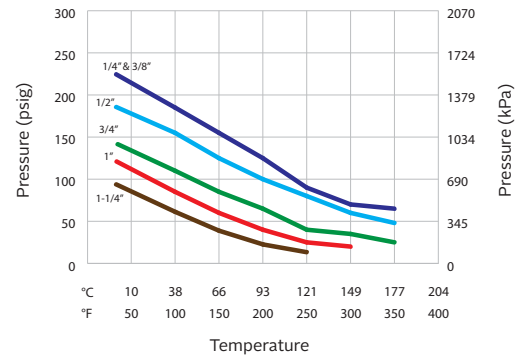
Part No.	Leg 1 Tube Straight Size	Leg 2 Tube Size	Leg 3 Tube Straight Size	Leg 4 Tube Size	Orifice	A	B	C	D	E	F	G	H	I	J	K
NXG-WXC4TS-4-4TS-4N-3	1/4"	1/4" x 5/32"	1/4"	1/4" x 5/32"	.15	2.14	2.34	1.07	1.17	1.17	1.07	.70	.70	.25	.15	.68
NXG-WXC6TS-6-6TS-6N-3	3/8"	3/8" x 1/4"	3/8"	3/8" x 1/4"	.25	2.69	2.97	1.35	1.49	1.49	1.35	.85	.85	.38	.25	.97
NXG-WXC8TS-8-8TS-8N-3	1/2"	1/2" x 3/8"	1/2"	1/2" x 3/8"	.38	3.12	3.41	1.56	1.70	1.70	1.56	1.00	1.00	.50	.38	1.16
NXG-WXC12TS-12-12TS-12N-3	3/4"	3/4" x 5/8"	3/4"	3/4" x 5/8"	.63	3.80	4.27	1.90	2.14	2.14	1.90	1.18	1.18	.75	.63	1.56
NXG-WXC16TS-16-16TS-16N-3	1"	1" x 7/8"	1"	1" x 7/8"	.88	4.61	5.09	2.31	2.55	2.55	2.31	1.40	1.40	1.00	.88	1.97



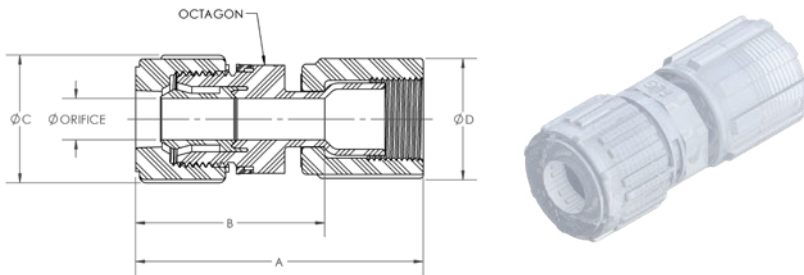
TRANSITION FITTINGS

Easily transition from Flare Link to Nexus Connect fittings.

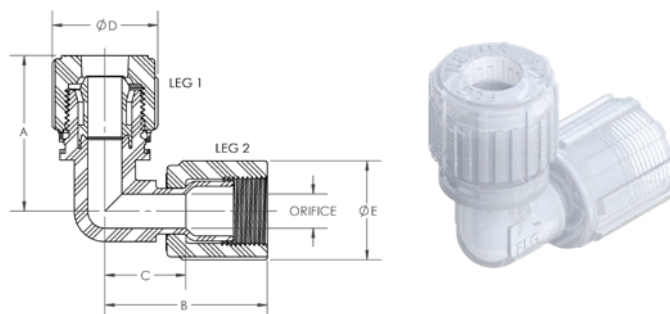
PFA Fittings
Pressure vs. Temperature



Transition Fitting (Male Nexus x Female Flare)								
Part No.	Pipe Size	Tube Size	Orifice	A	B	C	D	Octagon
NXG-SU4TF4N-3	1/4" x 5/32"	1/4" x 5/32"	.15	2.05	1.23	.68	.84	.59
NXG-SU6TF6N-3	3/8" x 1/4"	3/8" x 1/4"	.25	2.24	1.42	.97	.96	.83
NXG-SU8TF8N-3	1/2" x 3/8"	1/2" x 3/8"	.38	2.61	1.71	1.16	1.10	1.00
NXG-SU12TF12N-3	3/4" x 5/8"	3/4" x 5/8"	.63	3.24	2.21	1.56	1.40	1.32
NXG-SU16TF16N-3	1" x 7/8"	1" x 7/8"	.88	3.91	2.65	1.97	1.89	1.70



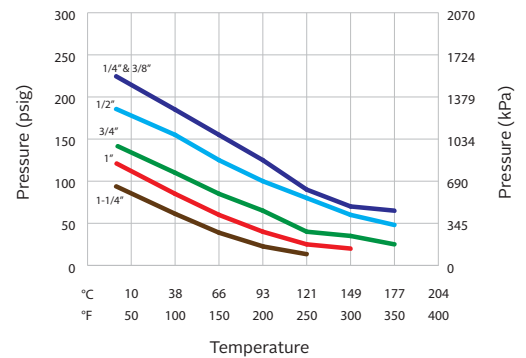
Transition Elbow (Male Nexus x Female Flare)								
Part No.	Leg 1 Tube Size	Leg 2 Connection Size	Orifice	A	B	C	D	E
NXG-UE4TF4N-3	1/4" x 5/32"	1/4"	.15	1.17	1.39	.57	.68	.84
NXG-UE6TF6N-3	3/8" x 1/4"	3/8"	.25	1.49	1.54	.72	.97	.96
NXG-UE8TF8N-3	1/2" x 3/8"	1/2"	.38	1.70	1.78	.89	1.16	1.09
NXG-UE12TF12N-3	3/4" x 5/8"	3/4"	.63	2.14	2.25	1.23	1.56	1.40
NXG-UE16TF16N-3	1" x 7/8"	1"	.88	2.55	2.80	1.54	1.97	1.89



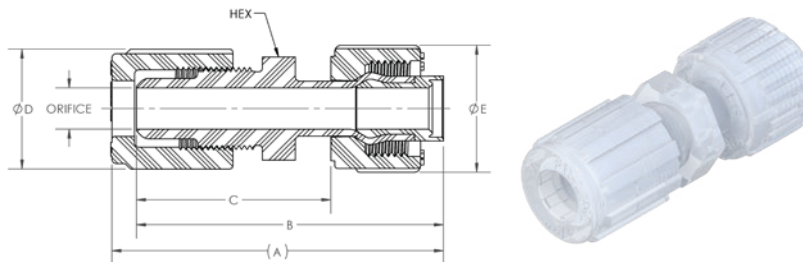
TRANSITION FITTINGS

Easily transition from Nexus Connect to Flare Link fittings.

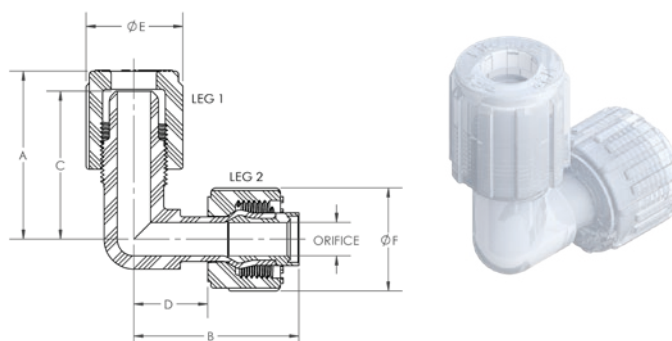
PFA Fittings
Pressure vs. Temperature



Transition Fitting (Male Flare x Female Nexus)									
Part No.	Leg 1 Tube Size	Leg 2 Connection Size	Orifice	A	B	C	D	E	Hex
NXG-SU4F4TN-3	1/4" x 5/32"	1/4" x 5/32"	.15	2.29	2.09	1.41	.84	.68	.69
NXG-SU6F6TN-3	3/8" x 1/4"	3/8" x 1/4"	.25	2.58	2.35	1.52	.96	.97	.81
NXG-SU8F8TN-3	1/2" x 3/8"	1/2" x 3/8"	.38	3.01	2.79	1.77	1.09	1.16	.94
NXG-SU12F8TN-3	1/2" x 3/8"	3/4" x 5/8"	.38	3.18	2.92	1.90	1.40	1.16	1.18
NXG-SU12F12TN-3	3/4" x 5/8"	3/4" x 5/8"	.63	3.19	2.94	1.71	1.40	1.56	1.19
NXG-SU16F16TN-3	1" x 7/8"	1" x 7/8"	.88	3.62	3.34	1.90	1.85	1.97	1.44



Transition Elbow (Male Flare x Female Nexus)									
Part No.	Leg 1 Tube Size	Leg 2 Connection Size	Orifice	A	B	C	D	E	F
NXG-UE4F4TN-3	1/4" x 5/32"	1/4"	.15	1.67	1.35	1.46	.66	.84	.68
NXG-UE6F6TN-3	3/8" x 1/4"	3/8"	.25	1.81	1.58	1.58	.75	.92	.97
NXG-UE6F8TN-3	3/8" x 1/4"	1/2"	.25	1.81	1.85	1.58	.83	.92	1.16
NXG-UE8F8TN-3	1/2" x 3/8"	1/2"	.38	1.89	1.85	1.66	.83	1.09	1.16
NXG-UE12F12TN-3	3/4" x 5/8"	3/4"	.63	2.23	2.06	1.98	.83	1.40	1.56
NXG-UE16F16TN-3	1" x 7/8"	1"	.88	2.70	2.54	2.42	1.10	1.85	1.97



NexusConnect® TUBE ASSEMBLY SYSTEM

Our patented Tube Assembly System allows you to easily insert Nexus Connect sleeves into the PFA tubing, creating a shrink seal.

KEY FEATURES

- Hot insertion method produces a shrink seal of tubing onto the insert for a reliable, leak-free connection.
- Achieves accurate and repeatable results in a quick timeframe to minimize downtime.
- Ideal for both in-house production and job site.
- Available in 110V and 220V versions (220V carries CE certification).
- Includes mandrels for 1/4", 3/8", 1/2", 3/4" and 1" tubing sizes.
- 15' long heater cord allows flaring in hard-to-reach places.
- Exceptionally user-friendly.

You can also flare tubing for flare fitting connections. All you need is a set of flaring mandrels.



Nexus Connect Tube Assembly System Patented	
Input Voltage	Part No.
110V	MTF416-110-NX
220V	MTF416-220-NX



NexusConnect® TORQUE WRENCH SYSTEM

Fastens PFA Nexus Connect® insert nuts to the required torque value which ensures leak-free fitting assemblies.

KEY FEATURES

- Wrenches are calibrated to preset torque values based on nut size.
- Wrench claw clicks over when required torque value is reached.
- Ratcheting action allows the nut to be rapidly tightened, making jobs easier and faster.
- Wrenches fit in the palm of a hand easily allowing use in hard to reach places.
- Claw material: stainless steel.
- Handle material: green anodized aluminum.

Nexus Connect Torque Wrenches Patented	
Nut Size	Part No.
1/4"	NXW4-3
3/8"	NXW6-3
1/2"	NXW8-3
3/4"	NXW12-3
1"	NXW16-3
Complete Set (All sizes listed above)	NXWS-3



RATCHETING ACTION

Rapidly tighten nuts to make assemblies easier and faster.

CLICK OVER FEATURE

The claw clicks over when wrench reaches required torque value.



NexusConnect®

TORQUE WRENCH SYSTEM

OPERATING INSTRUCTIONS

STEP 1

- Make sure claw is in start position, as shown below in picture A.
- Align teeth on claw with splines on nut, as shown here in Step 1.
- Grip handle firmly and rotate clockwise to tighten nut.



STEP 2

- Rotate handle in a counter clockwise direction, as shown here in Step 2.
- Grip next set of splines with claw and rotate clockwise.
- Continue steps 1 and 2 until claw clicks over, as shown in Step 3 and picture B.



STEP 3

- Snap claw back to its start position, as shown in picture A.
- Tighten nut one more time until claw clicks over.

Note: Nut must be tightened twice with wrench.



PICTURE A

START
POSITION



PICTURE B

FINISH,
CLICK OVER,
POSITION





U.S. DESIGNED & MANUFACTURED SOLUTIONS FOR FLUID PROCESSING APPLICATIONS



At Fit-Line Global, we engineer and supply the industry's most popular fitting configurations. That means when you need a fitting, it's available and ready to ship, allowing you to stay up and running and avoid costly delays.

From standard fittings and patented tube flaring systems, to customized designs that are developed, fabricated and tested in our state-of-the-art facility, Fit-Line Global has the expertise and the know-how to ensure you get the most reliable, dependable components delivered on time, all the time. At our core, we're a company of problem solvers.

Our employees are comprised of some of the best U.S. mechanical engineers, fabricators, senior toolmakers and process technicians with the curiosity, talent, insights and ideas to create the most advanced, dependable and leak-free solutions for all of your fluid processing needs.



FULL PRODUCT AND PACKAGING TRACEABILITY. ZERO COMPROMISES.

Having our materials, manufacturing and packaging in a fully traceable, closed-source system ensures the highest level of protection, component quality and contamination control.

That's why Fit-Line Global employs our own proprietary cleaning and packaging processes—including our five stage component cleaning and rinsing procedure—all conducted in our very own Class 1000 Clean Room.

And when it comes to packaging, all of our fittings are double polyethylene bagged per SEMI-F57 standards. This will meet and exceed your exacting demands. Anything else simply won't do.



DEDICATED TO YOU

Being an ISO 9001:2015 certified company means that we consistently provide products and services that meet customer and regulatory requirements and demonstrate continuous improvement. The certification acts as an assurance that our products are being manufactured in a facility that meets the requirements of ISO a well-known quality management system standard, and is reviewed yearly by an independent auditor.

WARRANTY

Fit-Line Global warrants to the BUYER that any product sold will be free from defects in material or workmanship for a period of twelve (12) months from the date of shipment. If during the warranty period, the BUYER notifies Fit-Line Global of a defect, Fit-Line Global shall, at its option, repair or replace the defective material or workmanship. OTHER THAN AS EXPRESSLY STATED HEREIN, FIT-LINE GLOBAL MAKES NO OTHER WARRANTIES, EXPRESS OR IMPLIED, REGARDING THE PRODUCTS AND/OR SERVICES PROVIDED HEREUNDER, AND EXPRESSLY DISCLAIMS THE IMPLIED WARRANTIES OF NON-INFRINGEMENT, MERCHANTABILITY AND FITNESS FOR A PARTICULAR PURPOSE. The BUYER shall bear the cost of freight to and from Fit-Line Global's plant. BUYER agrees to accept the limits of liability as expressed in this statement to the exclusion of any and all provisions regarding statements of liability on the BUYER's own invoices, purchase orders and/or other documents.

GOODS

All descriptions and illustrations contained in Fit-Line Global's catalog, brochures, price lists, website, advertisements and all specifications, drawings and any other documents contained therein submitted with any QUOTATION to BUYER or otherwise communicated to BUYER are intended merely to present a general idea of GOODS and SERVICES (GOODS) described therein and nothing contained in any of them shall form any part of the contract.



2901 Tech Center Drive, Santa Ana, CA 92705

Phone: (714) 549-9091

Email: info@Fit-LineGlobal.com

Web: Fit-LineGlobal.com