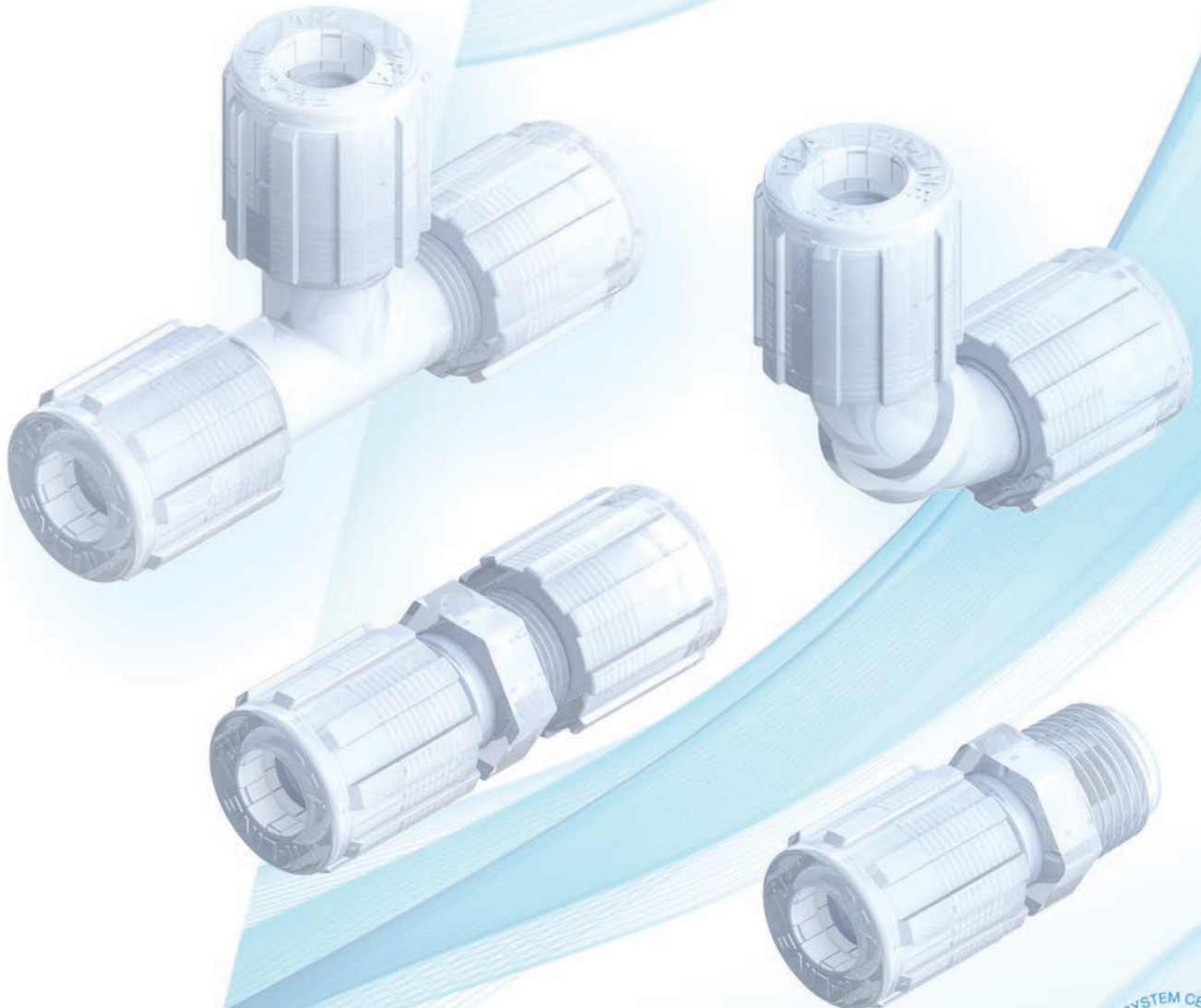




FIT-LINE[®]
GLOBAL

Flare Link[™]

HIGH PURITY PFA AND PVDF FITTINGS



For more information, please visit: Fit-LineGlobal.com



TABLE OF CONTENTS

Flare Link Introduction	3	Male Branch Tee (Male Flare x MNPT x Male Flare)	32
Pressure vs. Temperature Graphs (PFA Fittings)	4	Female Run Tee (Male Flare x Male Flare x FNPT)	33
Pressure vs. Temperature Graphs (PVDF Fittings)	5	Female Branch Tee (Male Flare x FNPT x Male Flare)	33
Ordering Info—Pipe Thread Connectors/Unions	6	Flare Plug and Nut (Male Flare)	34
Ordering Info—Weld Connectors/Nuts/Caps & Plugs	7	Flare Cap (Female Flare)	34
Male Connector (Male Flare x MNPT)	8	Flare Nut PFA	35
Male Connector (TightFLARE) (Female Flare x MNPT)	9	Flare Nut PVDF	35
Male Connector Panel Mount (Male Flare x MNPT)	9	Panel Mount Nut (Half Nut) PFA	35
Male Connector JIS (Male Flare x JIS)	10	Panel Mount Nut (Half Nut) PVDF	35
Female Connector (Male Flare x FNPT)	10	Pipe Plug	36
Straight Union (Male Flare x Male Flare)	11	Pipe Nipple	36
Straight Union Reducer (Male Flare x Male Flare)	11	Female Male Connector Reducer	36
Straight Union (TightFLARE) (Male Flare x Female Flare)	11	Reduced Orifice Fittings (Straight Union) (Male Flare x Male Flare)	36
Straight Union Panel Mount (Male Flare x Male Flare)	12	Reduced Orifice Fittings (Male Connector) (Male Flare x MNPT)	36
Straight Union Panel Mount Reducer (Male Flare x Male Flare)	12	Male Connector by Sanitary End (Male Flare x Sanitary Size)	37
TightFLARE Union (Female Flare x Female Flare)	13	Union Elbow by Sanitary End (Male Flare x Sanitary Size)	37
Flared PFA Tube Union (Female Flare x Female Flare)	13	Multi-Flare Panel Mount (Male Flare x Male Flare)	38
TightFLARE Male Reducer (Female Flare x Male Flare)	14	Multi-Flare Male Connector (Male Flare x MNPT)	38
TightFLARE Female Reducer (Female Flare x Female Flare)	15	Multi-Flare Transition Fitting (Male Flare x Metric Pipe)	39
TightFLARE Male Increaser (Female Flare x Male Flare)	15	Transition Fitting (Male Flare x Metric Pipe)	39
Double Containment Adapter (Male Flare)	16	GrabLOC Double Containment Fittings (Non-Terminating)	40
Double Containment Fittings Panel Mount Double Containment with O-Ring Containment Seal (Male Flare x Male Flare)	16	GrabLOC Double Containment Fittings (Terminating)	41
Male Elbow (Male Flare x MNPT)	17	GrabLOC Double Containment Tee	42
Male Elbow (TightFLARE) (Female Flare x MNPT)	17	Weld Straight Connector (Pipe x Male Flare)	43
Male Elbow JIS (Male Flare x Metric Pipe)	18	Weld Straight Connector (TightFLARE) (Pipe x Female Flare)	43
Female Elbow (Male Flare x FNPT)	18	Weld Elbow Connector (Pipe x Male Flare)	44
Union Elbow (Male Flare x Male Flare)	19	Weld Elbow Connector (TightFLARE) (Pipe x Female Flare)	44
Union Elbow Reducer (Male Flare x Male Flare)	19	Weld Straight Reducer (Pipe x Pipe)	45
Union Elbow Panel Mount (Male Flare x Male Flare)	20	Weld Pipe Cap (Pipe)	45
Union Elbow (TightFLARE) (Male Flare x Female Flare)	20	Weld Union Elbow (Pipe x Pipe)	46
Union Elbow (TightFLARE) (Female Flare x Female Flare)	21	Weld Union Tee (Pipe x Pipe)	46
Union Elbow Reducer (TightFLARE) (Female Flare x Female Flare)	21	Weld Male Adapter (Pipe x MNPT)	47
Union Elbow Sweep (Male Flare x Male Flare)	22	Weld Female Adapter (Pipe x FNPT)	47
Union Elbow Sweep (TightFLARE) (Male Flare x Female Flare)	22	Weld Straight Reducer (Tube x Tube)	48
Union Elbow Sweep (TightFLARE) (Female Flare x Female Flare)	23	Weld Elbow (Tube x Tube)	48
Male Elbow Sweep (Male Flare x MNPT)	23	Weld Elbow Reducer (Tube x Tube)	49
Male Elbow Sweep (TightFLARE) (Female Flare x Male Flare)	24	Weld Elbow Sweep (Tube x Tube)	49
Union Tee (Male Flare x Male Flare x Male Flare)	24	Weld Tee (Tube x Tube x Tube)	50
Union Tee Reducer (Male Flare x Male Flare x Male Flare)	25	Weld Tee Reducer (Tube x Tube x Tube)	50
Union Tee (TightFLARE) Branch (Male Flare x Female Flare x Male Flare)	26	Weld Cross (All Tube)	51
Union Tee (TightFLARE) Run (Male Flare x Male Flare x Female Flare)	27	Weld Cross Reducer (All Tube)	51
Union Tee (TightFLARE) Branch, Run (Male Flare x Female Flare x Female Flare)	28	Flare Link Tube Assembly System	52
Union Tee (TightFLARE) Run, Run (Female Flare x Male Flare x Female Flare)	29	Flare Link Torque Wrench System	53
Union Tee (TightFLARE) All (Female Flare x Female Flare x Female Flare)	30	Flare Link Torque Wrench System Operating Instructions	54
Male Run Tee (Male Flare x Male Flare x MNPT)	31	WELDED Systems Fabricated Manifolds	55
Male Branch Tee (TightFLARE) (Female Flare x MNPT x Female Flare)	31	The Fit-Line Global Story	56
		Warranty & Goods	58



Flare Link™

For over 30 years, Fit-Line Global has designed and manufactured a wide range for PFA and PVDF flare fittings that are SEMI-F57-O120 compliant.

FEATURES AND BENEFITS

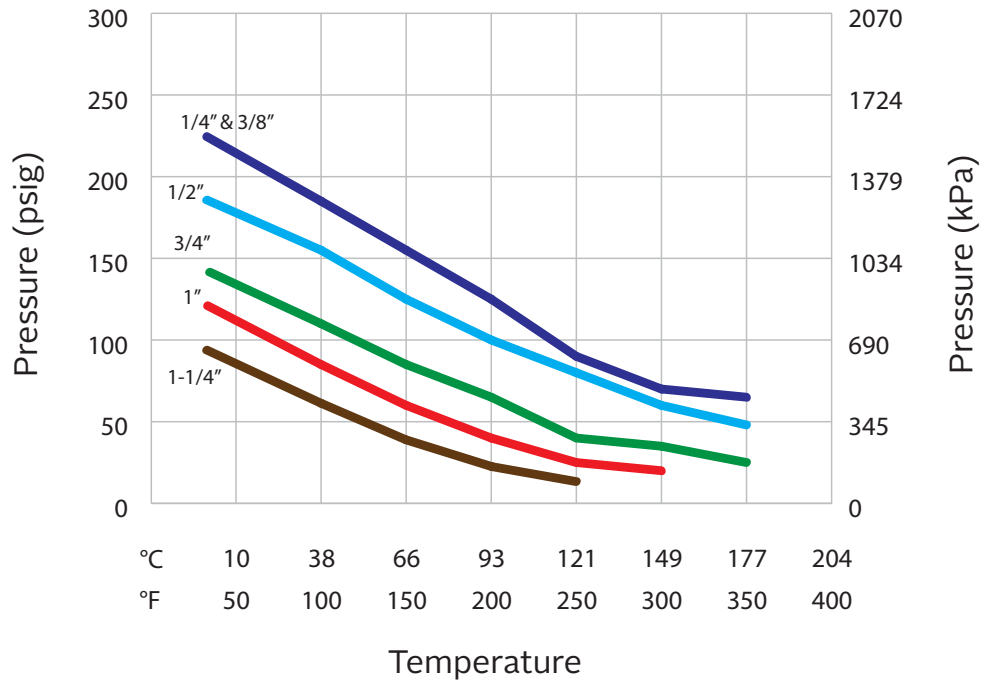
- **High Purity Components**
All wetted components are molded from virgin ultra high purity PFA material and cleaned using a proprietary 5-stage washing system within a certified class 1000 clean room.
- **Ease of Assembly**
Our innovative Tube Assembly System and Flare Link torque wrenches allow for consistent flare fitting connections. Refer to pages 52–54 for more information.
- **Packaging**
Each fitting is double poly bagged inside a certified class 1000 clean room per SEMI 57-O120.
- **Traceability**
Fittings are traceable from raw material, manufacturing to packaging, per SEMI 57-O120. Each fitting is labeled with part number, description, and lot number.

SEMICONDUCTOR APPLICATIONS

- Bulk chemical and slurry delivery
- Chemical and slurry blend and distribution
- Chemical-Mechanical Polishing (CMP)
- High-temperature wet deaning processes
- Photolithography
- Wet etching

ACCEPTABLE OPERATING RANGE

**PFA Fittings
Pressure vs. Temperature**

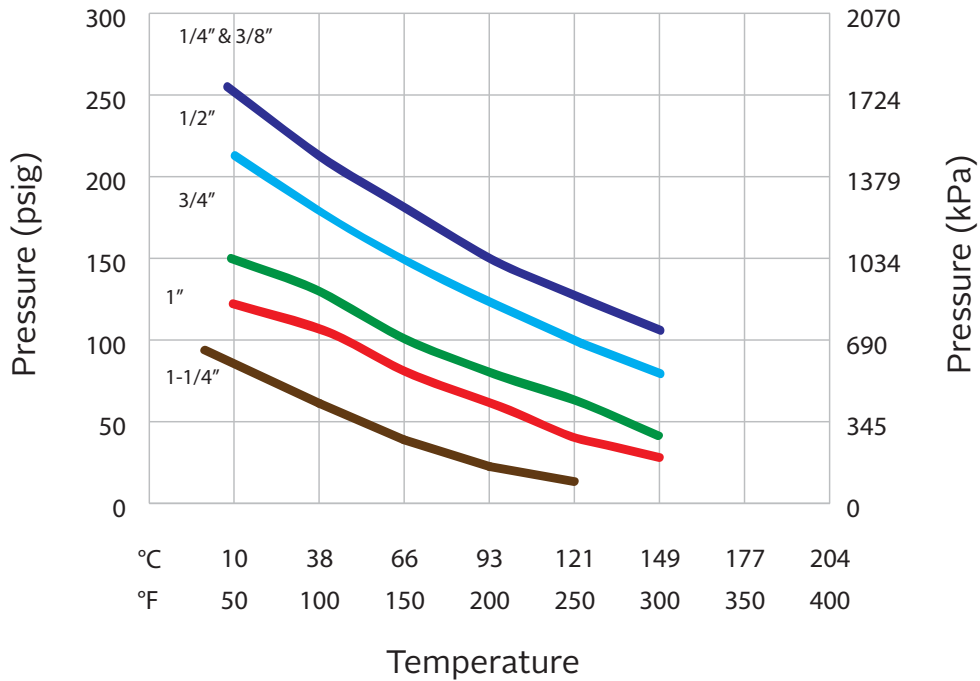


Pressure ratings based on the following tube wall thickness:

Flare Size	Tube Wall Thickness
1/4"	.047"
3/8"	.063"
1/2"	.063"
3/4"	.063"
1"	.063"
1-1/4"	.075"

ACCEPTABLE OPERATING RANGE

PVDF Fittings
Pressure vs. Temperature



Pressure ratings based on the following tube wall thickness:

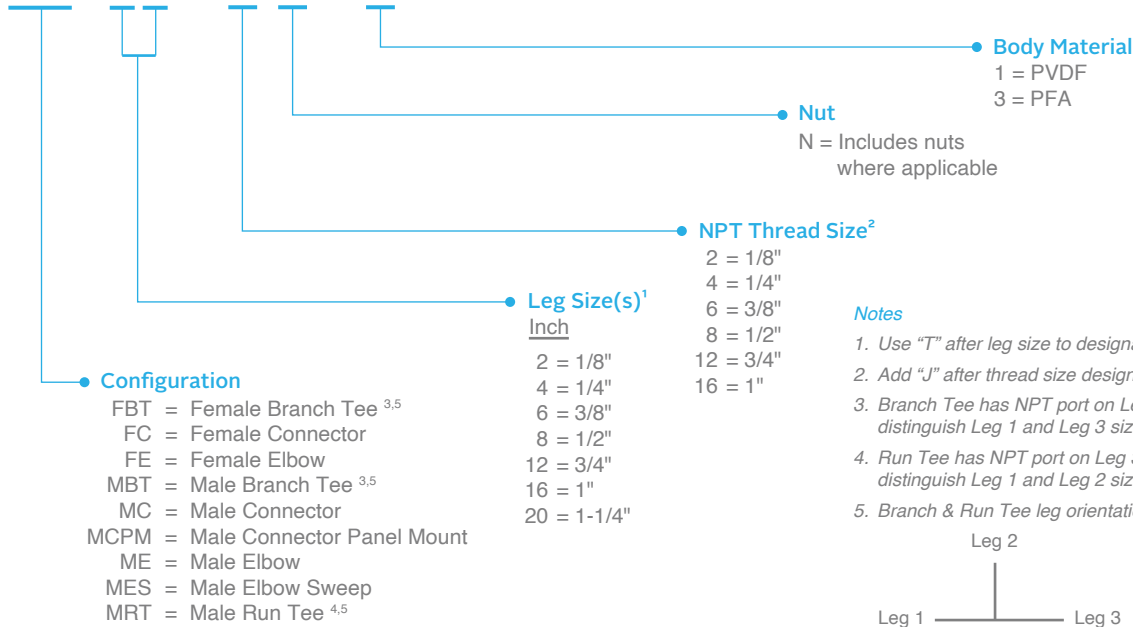
Flare Size	Tube Wall Thickness
1/4"	.047"
3/8"	.063"
1/2"	.063"
3/4"	.063"
1"	.063"
1-1/4"	.075"

WARNING: PVDF not for use in applications exceeding 248° F (120° C)

Fit-Line Global is not responsible for product damage due to accidents, misuse, or improper application usage.

PIPE THREAD CONNECTORS:

FBT 88 - 8 N - 3



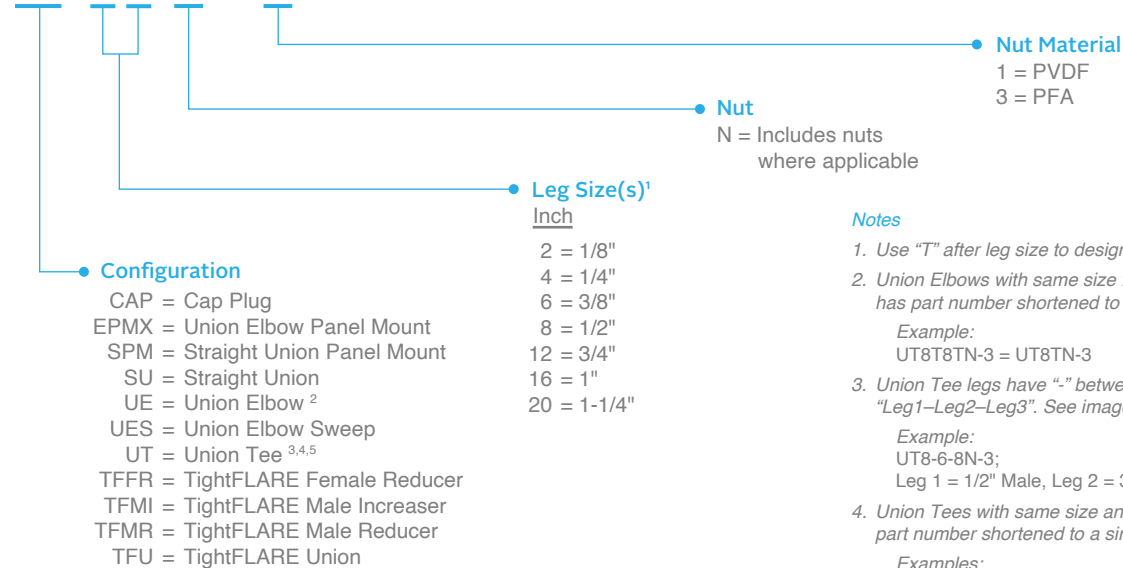
Notes

1. Use "T" after leg size to designate female connection.
2. Add "J" after thread size designator for JIS taper thread.
3. Branch Tee has NPT port on Leg 2. Size designators distinguish Leg 1 and Leg 3 sizes, respectively.
4. Run Tee has NPT port on Leg 3. Size designators distinguish Leg 1 and Leg 2 sizes, respectively.
5. Branch & Run Tee leg orientation:



UNIONS:

SU 88 N - 3



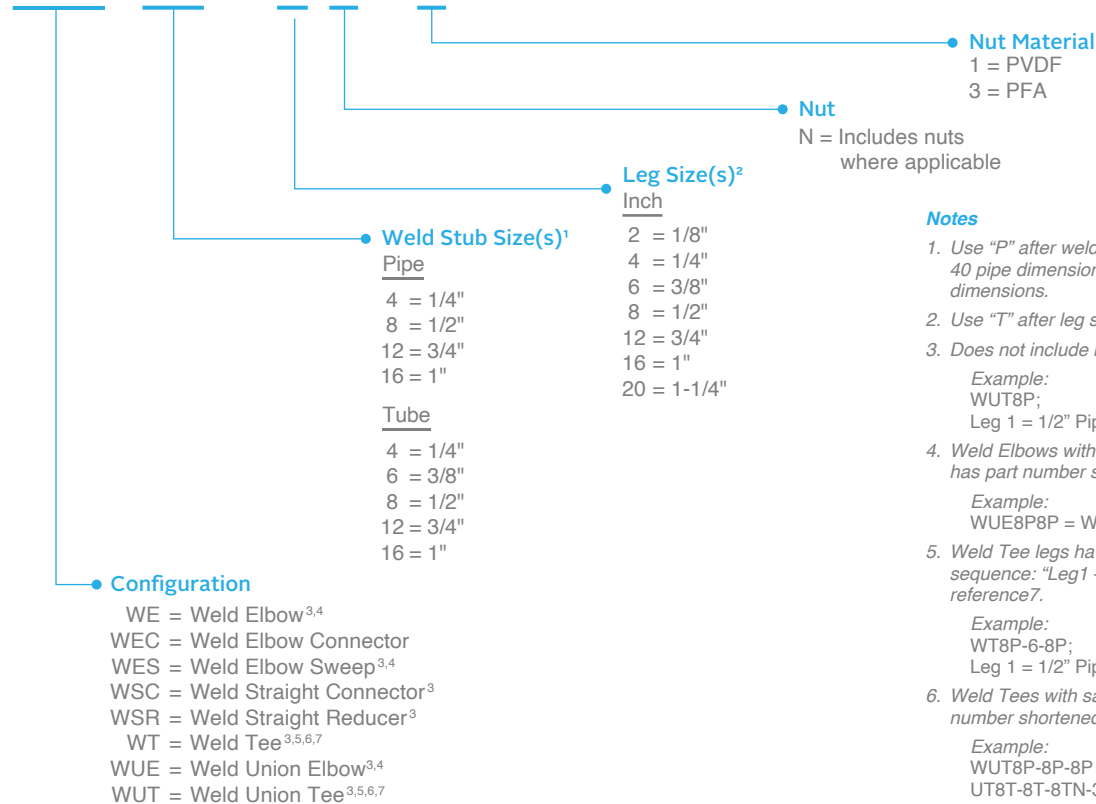
Notes

1. Use "T" after leg size to designate female connection.
2. Union Elbows with same size female connection on both sides has part number shortened to a single leg size descriptor.
 Example:
 UT8T8TN-3 = UT8TN-3
3. Union Tee legs have "-" between size designators in sequence: "Leg1-Leg2-Leg3". See image below for reference⁵.
 Example:
 UT8-6-8N-3;
 Leg 1 = 1/2" Male, Leg 2 = 3/8" Male, Leg 3 = 1/2" Male
4. Union Tees with same size and type connection on all sides has part number shortened to a single leg size descriptor.
 Examples:
 UT8-8-8N-3 = UT8N-3
 UT8T-8T-8TN-3 = UT8TN-3
5. Union Tee leg orientation:



WELD CONNECTORS:

WEC 8 P - 8 N - 3



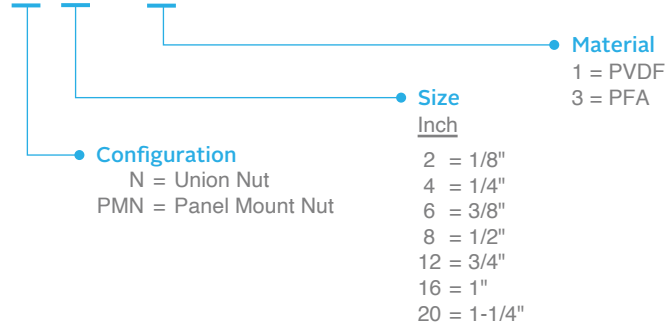
Notes

- Use "P" after weld stub size to designate schedule 40 pipe dimensions, or "TS" to designate tube straight dimensions.
- Use "T" after leg size to designate female connection.
- Does not include nuts, omit "N-#" from p/n:
Example:
WUT8P;
Leg 1 = 1/2" Pipe, Leg 2 = 1/2" Pipe, Leg 3 = 1/2" Pipe
- Weld Elbows with the same size connection on both sides has part number shortened to a single leg size descriptor.
Example:
WUE8P8P = WUE8P
- Weld Tee legs have "-" between size designators in sequence: "Leg1 - Leg2 - Leg3". See image below for reference⁷.
Example:
WT8P-6-8P;
Leg 1 = 1/2" Pipe, Leg 2 = 3/8" Male, Leg 3 = 1/2" Pipe
- Weld Tees with same size connection on all sides has part number shortened to a single leg size descriptor.
Example:
WUT8P-8P-8P = WUT8P
UT8T-8T-8TN-3 = UT8TN-3
- Weld Tee leg orientation:



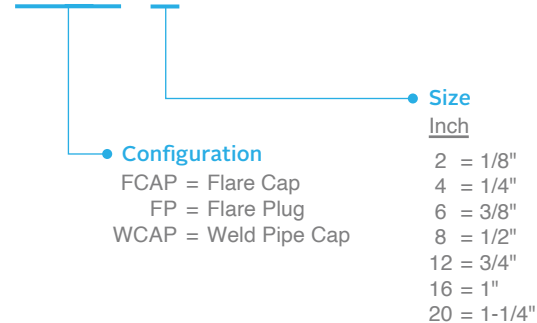
NUTS:

N 8 - 3

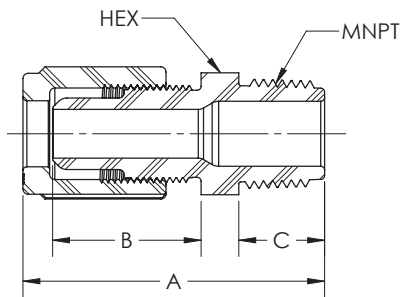


CAPS & PLUGS:

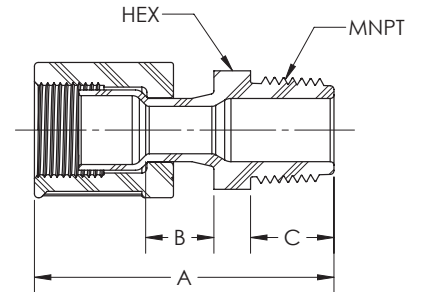
FCAP 4



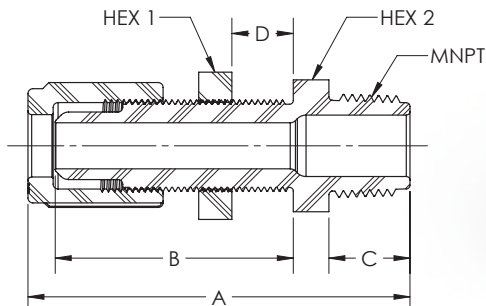
Male Connector (Male Flare x MNPT)							
PFA Part No.	Tube O.D.	MNPT Size	Orifice	A	B	C	Hex
MC4-2N-1	1/4	1/8	.15	1.91	.97	.45	5/8
MC4-4N-1	1/4	1/4	.15	2.00	.97	.55	5/8
MC4-6N-1	1/4	3/8	.15	2.00	.97	.55	11/16
MC4-8N-1	1/4	1/2	.15	2.12	.97	.66	13/16
MC4-12N-1	1/4	3/4	.15	2.12	.97	.67	1-3/16
MC4-16N-1	1/4	1	.15	2.32	.97	.85	1-7/16
MC6-2N-1	3/8	1/8	.18	2.10	1.04	.54	13/16
MC6-4N-1	3/8	1/4	.25	2.11	1.04	.55	13/16
MC6-6N-1	3/8	3/8	.25	2.11	1.04	.55	13/16
MC6-8N-1	3/8	1/2	.25	2.21	1.04	.66	15/16
MC6-12N-1	3/8	3/4	.25	2.22	1.04	.66	1-3/16
MC6-16N-1	3/8	1	.25	2.39	1.04	.85	1-7/16
MC8-2N-1	1/2	1/8	.18	2.20	1.14	.54	15/16
MC8-4N-1	1/2	1/4	.38	2.20	1.14	.55	15/16
MC8-6N-1	1/2	3/8	.38	2.20	1.14	.55	15/16
MC8-8N-1	1/2	1/2	.38	2.32	1.14	.66	15/16
MC8-12N-1	1/2	3/4	.38	2.32	1.14	.66	1-3/16
MC8-16N-1	1/2	1	.38	2.51	1.14	.86	1-7/16
MC12-6N-1	3/4	3/8	.38	2.37	1.29	.56	15-16
MC12-8N-1	3/4	1/2	.51	2.48	1.29	.67	1-3/16
MC12-12N-1	3/4	3/4	.63	2.48	1.29	.67	1-3/16
MC12-16N-1	3/4	1	.63	2.66	1.29	.85	1-7/16
MC16-8N-1	1	1/2	.51	2.69	1.46	.67	1-7/16
MC16-12N-1	1	3/4	.66	2.69	1.46	.67	1-7/16
MC16-16N-1	1	1	.88	2.88	1.46	.86	1-7/16
MC20-16N-1	1-1/4	1	.97	3.29	1.75	.86	1-3/4
MC20-20N-1	1-1/4	1-1/4	1.10	3.29	1.75	.86	1-3/4



Male Connector (TightFLARE) Patented (Female Flare x MNPT)							
PFA Part No.	TightFLARE	MNPT Size	Orifice	A	B	C	Hex
MC4T-2N-1	1/4	1/8	.15	2.16	.53	.45	5/8
MC4T-4N-1	1/4	1/4	.15	2.13	.53	.55	5/8
MC4T-6N-1	1/4	3/8	.15	2.13	.53	.55	11/16
MC4T-8N-1	1/4	1/2	.15	2.27	.53	.67	13/16
MC6T-4N-1	3/8	1/4	.25	2.22	.52	.56	13/16
MC6T-6N-1	3/8	3/8	.25	2.22	.53	.55	13/16
MC6T-8N-1	3/8	1/2	.25	2.33	.52	.67	13/16
MC8T-4N-1	1/2	1/4	.25	2.28	.53	.56	15/16
MC8T-6N-1	1/2	3/8	.38	2.26	.53	.55	13/16
MC8T-8N-1	1/2	1/2	.38	2.47	.53	.67	15/16
MC12T-8N-1	3/4	1/2	.51	2.57	.56	.67	1-3/16
MC12T-12N-1	3/4	3/4	.63	2.57	.56	.67	1-3/16
MC12T-16N-1	3/4	1	.63	2.76	.56	.86	1-7/16
MC16T-16N-1	1	1	.88	2.99	.50	.86	1-7/16

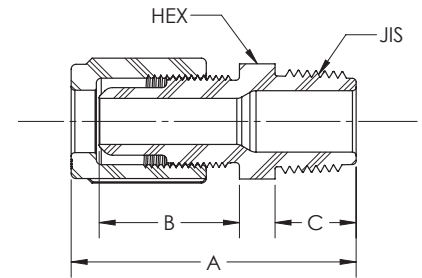


Male Connector Panel Mount (Male Flare x MNPT)										
PFA Part No.	Tube O.D.	MNPT Size	Orifice	A	B	C	D (Max)	Hex 1	Hex 2	Min Panel Hole Dia
MCPM4-2N-1	1/4	1/8	.15	2.78	1.73	.55	.50	3/4	11/16	1/2
MCPM4-4N-1	1/4	1/4	.15	2.78	1.73	.55	.50	3/4	11/16	1/2
MCPM4-6N-1	1/4	3/8	.15	2.78	1.73	.55	.50	3/4	11/16	1/2
MCPM6-4N-1	3/8	1/4	.25	2.87	1.83	.55	.50	15/16	13/16	5/8
MCPM6-6N-1	3/8	3/8	.25	2.87	1.83	.55	.50	15/16	13/16	5/8
MCPM8-4N-1	1/2	1/4	.38	2.99	1.94	.55	.50	1-1/16	15/16	3/4
MCPM8-6N-1	1/2	3/8	.38	2.99	1.94	.55	.50	1-1/16	15/16	3/4
MCPM8-8N-1	1/2	1/2	.38	3.10	1.94	.67	.50	1-1/16	15/16	3/4
MCPM12-12N-1	3/4	3/4	.63	3.26	2.06	.68	.50	1-5/16	1-3/16	1
MCPM16-16N-1	1	1	.88	3.66	2.21	.86	.50	1-3/4	1-5/8	1-7/16



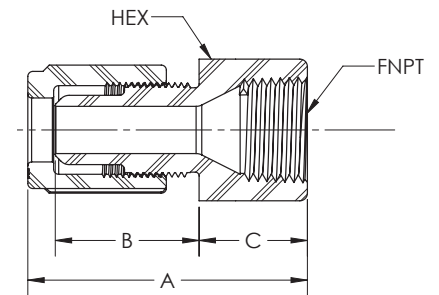
Male Connector JIS
(Male Flare x JIS)

PFA Part No.	Tube O.D.	JIS Size	Orifice	A	B	C	Hex
MC4-4JN-1	1/4	1/4	.15	2.00	.97	.56	5/8
MC4-6JN-1	1/4	3/8	.15	2.00	.97	.56	11/16
MC4-8JN-1	1/4	1/2	.15	2.11	.97	.66	15/16
MC6-4JN-1	3/8	1/4	.25	2.11	1.04	.56	13/16
MC6-6JN-1	3/8	3/8	.25	2.11	1.04	.56	13/16
MC6-8JN-1	3/8	1/2	.25	2.22	1.04	.67	15/16
MC8-4JN-1	1/2	1/4	.38	2.20	1.14	.56	15/16
MC8-6JN-1	1/2	3/8	.38	2.20	1.14	.56	15/16
MC8-8JN-1	1/2	1/2	.38	2.32	1.14	.67	15/16
MC8-12JN-1	1/2	3/4	.38	2.32	1.14	.68	1-3/16
MC12-6JN-1	3/4	3/8	.63	2.37	1.29	.56	1-3/16
MC12-8JN-1	3/4	1/2	.51	2.48	1.29	.67	1-3/16
MC12-12JN-1	3/4	3/4	.63	2.49	1.29	.67	1-3/16
MC12-16JN-1	3/4	1	.63	2.65	1.29	.85	1-7/16
MC16-12JN-1	1	3/4	.66	2.69	1.46	.67	1-7/16
MC16-16JN-1	1	1	.88	2.87	1.46	.85	1-7/16

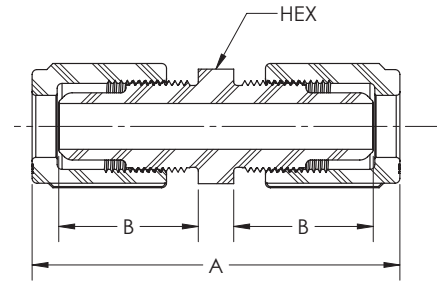


Female Connector
(Male Flare x FNPT)

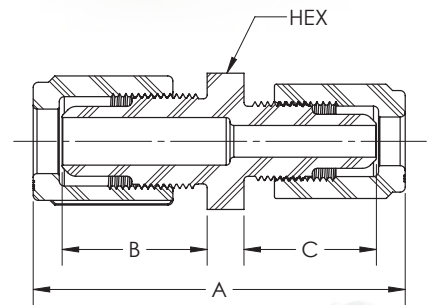
PFA Part No.	Tube O.D.	FNPT Size	Orifice	A	B	C	Hex
FC4-2N-1	1/4	1/8	.15	1.90	.97	.79	5/8
FC4-4N-1	1/4	1/4	.15	1.99	.97	.84	3/4
FC4-6N-1	1/4	3/8	.15	2.00	.97	.92	15/16
FC4-8N-1	1/4	1/2	.15	2.02	.97	.86	1-1/8
FC6-2N-1	3/8	1/8	.25	1.78	1.04	.74	5/8
FC6-4N-1	3/8	1/4	.25	2.05	1.04	.84	3/4
FC6-6N-1	3/8	3/8	.25	2.10	1.04	.84	15/16
FC6-8N-1	3/8	1/2	.25	2.13	1.04	.86	1-1/8
FC8-4N-1	1/2	1/4	.38	2.18	1.14	.84	3/4
FC8-6N-1	1/2	3/8	.38	2.20	1.14	.87	15/16
FC8-8N-1	1/2	1/2	.38	2.22	1.14	.86	1-1/8
FC8-12N-1	1/2	3/4	.38	2.28	1.14	.92	1-3/8
FC8-16N-1	1/2	1	.38	2.50	1.14	1.14	1-5/8
FC12-8N-1	3/4	1/2	.63	2.38	1.29	.86	1-1/8
FC12-12N-1	3/4	3/4	.63	2.44	1.29	.92	1-3/8
FC12-16N-1	3/4	1	.63	2.66	1.29	1.14	1-5/8
FC16-16N-1	1	1	.88	2.88	1.46	1.14	1-5/8



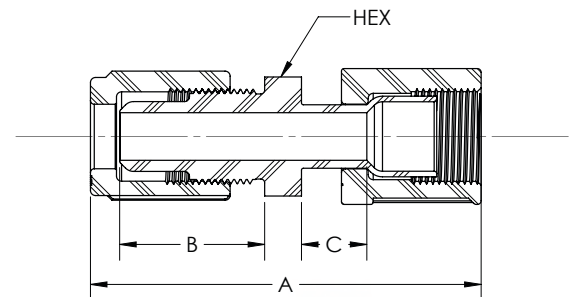
Straight Union (Male Flare x Male Flare)					
PFA Part No.	Tube O.D.	Orifice	A	B	Hex
SU44N-1	1/4	.15	2.62	.97	11/16
SU66N-1	3/8	.25	2.83	1.04	13/16
SU88N-1	1/2	.38	3.02	1.14	15/16
SU1212N-1	3/4	.63	3.32	1.29	1-3/16
SU1616N-1	1	.88	3.72	1.46	1-7/16
SU2020N-1	1-1/4	1.10	4.88	1.75	1-3/4



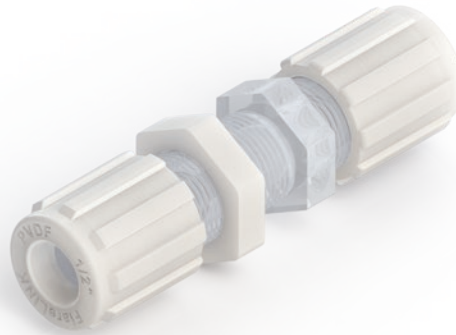
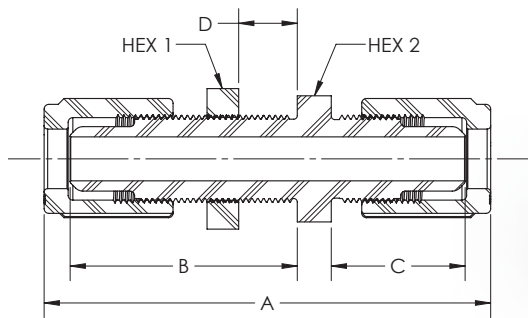
Straight Union Reducer (Male Flare x Male Flare)						
PFA Part No.	Tube O.D.	Tube O.D.	A	B	C	Hex
SU64N-1	3/8	1/4	2.72	1.04	.97	11/16
SU84N-1	1/2	1/4	2.82	1.14	.97	15/16
SU86N-1	1/2	3/8	2.92	1.14	1.04	15/16
SU124N-1	3/4	1/4	2.96	1.29	.97	1-3/16
SU126N-1	3/4	3/8	3.07	1.29	1.05	1-3/16
SU128N-1	3/4	1/2	3.17	1.29	1.14	1-3/16
SU164N-1	1	1/4	3.17	1.46	.97	1-7/16
SU168N-1	1	1/2	3.38	1.45	1.14	1-7/16
SU1612N-1	1	3/4	3.53	1.46	1.29	1-7/16
SU2016N-1	1-1/4	1	4.36	1.75	1.51	1-3/4



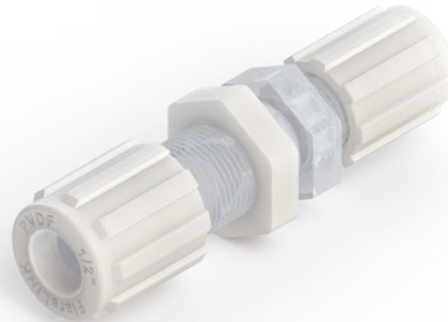
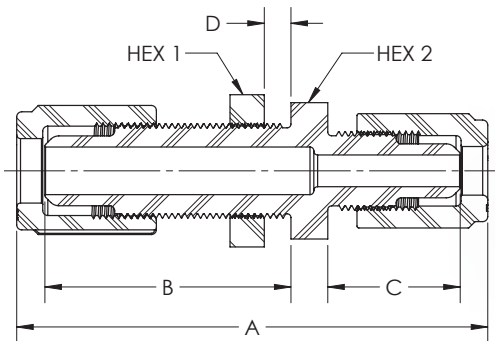
Straight Union (TightFLARE) Patented (Male Flare x Female Flare)						
PFA Part No.	Tube O.D. / TightFLARE	Orifice	A	B	C	Hex
SU44TN-1	1/4	.15	2.76	.97	.53	11/16
SU66TN-1	3/8	.25	2.93	1.04	.52	13/16
SU88TN-1	1/2	.38	3.07	1.14	.51	15/16
SU1212TN-1	3/4	.63	3.41	1.29	.56	1-3/16
SU1616TN-1	1	.88	4.04	1.46	.50	1-7/16



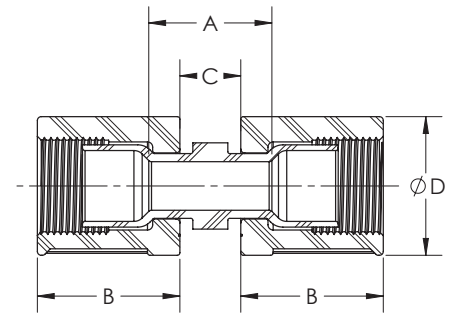
Straight Union Panel Mount (Male Flare x Male Flare)										
PFA Part No.	PVDF Part No.	Tube O.D.	Orifice	A	B	C	D (Max)	Hex 1	Hex 2	Min Panel Hole Dia
SPM44N-1	SPM44	1/4	.15	3.40	1.73	.97	.50	3/4	11/16	1/2
SPM66N-1	SPM66	3/8	.25	3.58	1.83	1.04	.50	15/16	13/16	5/8
SPM88N-1	SPM88	1/2	.38	3.80	1.94	1.14	.50	1-1/16	15/16	3/4
SPM1212N-1	SPM1212	3/4	.63	4.11	2.06	1.29	.50	1-5/16	1-3/16	1
SPM1616N-1	SPM1616	1	.88	4.53	2.21	1.46	.50	1-3/4	1-5/8	1-7/16



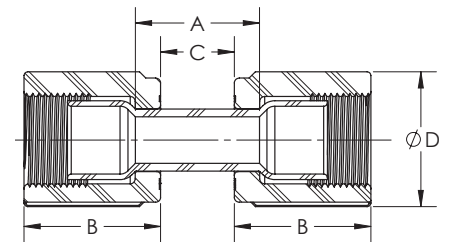
Straight Union Panel Mount Reducer (Male Flare x Male Flare)										
PFA Part No.	Tube O.D.	Tube O.D.	Orifice	A	B	C	D (Max)	Hex 1	Hex 2	Min Panel Hole Dia
SPM64N-1	3/8	1/4	.15	3.48	1.83	.97	.50	15/16	13/16	5/8
SPM84N-1	1/2	1/4	.15	3.59	1.94	.97	.50	1-1/16	15/16	3/4
SPM86N-1	1/2	3/8	.25	3.70	1.94	1.04	.50	1-1/16	15/16	3/4
SPM126N-1	3/4	3/8	.25	3.86	2.06	1.04	.50	1-5/16	1-3/16	1
SPM128N-1	3/4	1/2	.38	3.95	2.06	1.14	.50	1-5/16	1-3/16	1
SPM1612N-1	1	3/4	.63	4.31	2.21	1.29	.50	1-3/4	1-5/8	1-7/16



TightFLARE Union Patented (Female Flare x Female Flare)						
PFA Part No.	TightFLARE	Orifice	A	B	C	D
TFU4N-1	1/4	.15	.84	1.03	.36	.78
TFU6N-1	3/8	.25	.86	1.10	.38	.91
TFU8N-1	1/2	.38	.93	1.15	.38	1.03
TFU12N-1	3/4	.63	.90	1.32	.38	1.35
TFU16N-1	1	.88	1.05	1.50	.52	1.76
TFU20N-1	1-1/4	1.10	1.03	1.83	.52	2.20

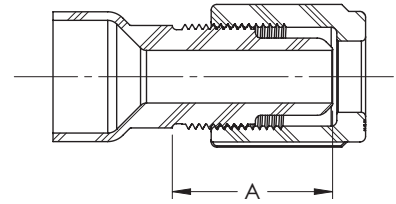


Flared PFA Tube Union (Female Flare x Female Flare)							
PVDF Nut Part No.	PFA Nut Part No.	TightFLARE	Orifice	A	B	C	D
FTU4N-1-53	FTU4N-3-53	1/4	.15	.53	1.03	.14	.78
FTU4N-1-88	FTU4N-3-88	1/4	.15	.88	1.03	.50	.78
FTU4N-1-336	FTU4N-3-336	1/4	.15	3.36	1.03	2.38	.78
FTU6N-1-51	FTU6N-3-51	3/8	.25	.51	1.10	.13	.91
FTU6N-1-88	FTU6N-3-88	3/8	.25	.88	1.10	.50	.91
FTU8N-1-47	FTU8N-3-47	1/2	.38	.47	1.15	.09	1.03
FTU8N-1-88	FTU8N-3-88	1/2	.39	.88	1.15	.50	1.03
FTU8N-1-269	FTU8N-3-269	1/2	.40	2.69	1.15	2.31	1.03
FTU8N-1-382	FTU8N-3-382	1/2	.41	3.82	1.15	3.44	1.03
FTU12N-1-59	FTU12N-3-59	3/4	.63	.59	1.32	.12	1.35
FTU12N-1-97	FTU12N-3-97	3/4	.63	.97	1.32	.50	1.35
FTU12N-1-378	FTU12N-3-378	3/4	.63	3.78	1.32	3.31	1.35
FTU16N-1-68	FTU16N-3-68	1	.88	.68	1.50	.15	1.76
FTU16N-1-103	FTU16N-3-103	1	.88	1.03	1.50	.50	1.76
FTU16N-1-272	FTU16N-3-272	1	.88	2.72	1.50	2.19	1.76

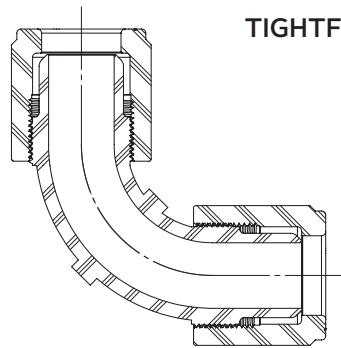


Custom "A" dimensions available upon request. Email: info@Fit-LineGlobal.com

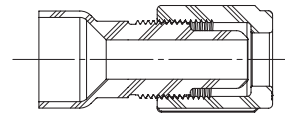
TightFLARE Male Reducer Patented (Female Flare x Male Flare)				
PFA Part No.	TightFLARE	Tube O.D.	Orifice	A
TFMR64N-1	3/8	1/4	.15	1.13
TFMR84N-1	1/2	1/4	.15	1.19
TFMR86N-1	1/2	3/8	.25	1.21
TFMR124N-1	3/4	1/4	.15	1.07
TFMR126N-1	3/4	3/8	.25	1.16
TFMR128N-1	3/4	1/2	.38	1.24
TFMR164N-1	1	1/4	.15	1.03
TFMR166N-1	1	3/8	.25	1.11
TFMR168N-1	1	1/2	.38	1.20
TFMR1612N-1	1	3/4	.63	1.31
TFMR204N-1	1-1/4	1/4	.15	1.07
TFMR206N-1	1-1/4	3/8	.25	1.16
TFMR208N-1	1-1/4	1/2	.38	1.24
TFMR2012N-1	1-1/4	3/4	.63	1.31
TFMR2016N-1	1-1/4	1	.88	1.75



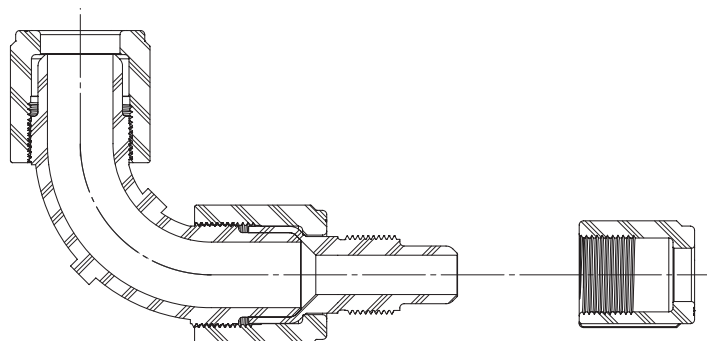
TIGHTFLARE MALE REDUCER ASSEMBLY



UES1212N-1
UNION ELBOW SWEEP,
3/4" FLARE X 3/4" FLARE

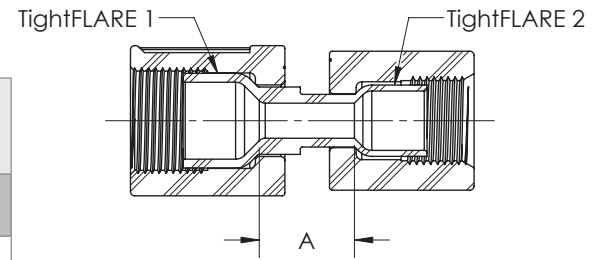


TFMR128N-1
TightFLARE MALE REDUCER,
3/4" TightFLARE X 1/2" FLARE

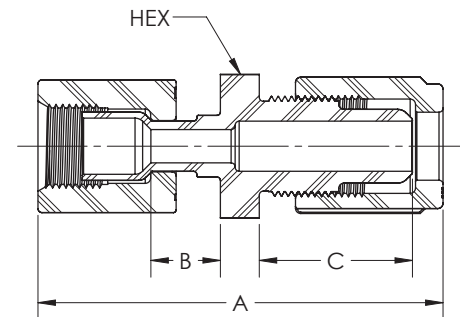


UNION ELBOW SWEEP,
3/4" FLARE REDUCED TO 1/2" FLARE

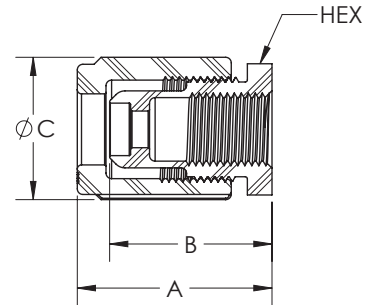
TightFLARE Female Reducer Patented (Female Flare x Female Flare)				
PFA Part No.	TightFLARE 1	TightFLARE 2	Orifice	A
TFFR64N-1	3/8	1/4	.15	.76
TFFR84N-1	1/2	1/4	.15	.80
TFFR86N-1	1/2	3/8	.25	.68
TFFR124N-1	3/4	1/4	.15	.92
TFFR126N-1	3/4	3/8	.25	.68
TFFR128N-1	3/4	1/2	.38	.75
TFFR164N-1	1	1/4	.15	.95
TFFR166N-1	1	3/8	.25	.92
TFFR168N-1	1	1/2	.38	.93
TFFR1612N-1	1	3/4	.63	.95



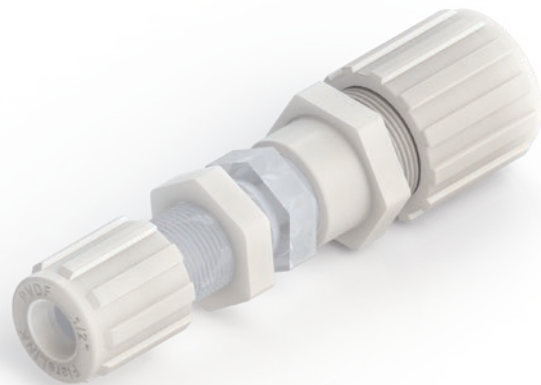
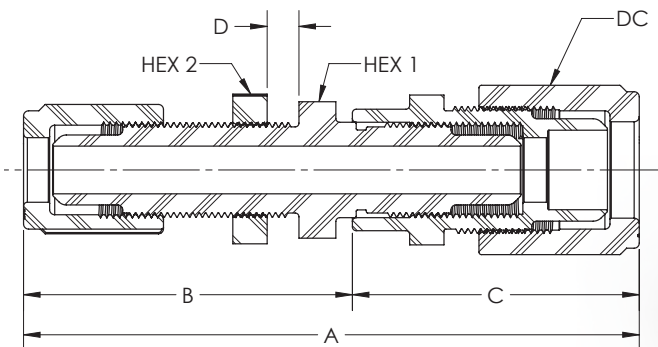
TightFLARE Male Increaser Patented (Female Flare x Male Flare)							
PFA Part No.	TightFLARE	Tube O.D.	Orifice	A	B	C	Hex
TFMI46N-1	1/4	3/8	.15	2.88	.53	1.04	13/16
TFMI48N-1	1/4	1/2	.15	2.97	.53	1.14	15/16
TFMI68N-1	3/8	1/2	.25	3.03	.52	1.14	15/16
TFMI612N-1	3/8	3/4	.25	3.19	.52	1.29	1-3/16
TFMI812N-1	1/2	3/4	.38	3.23	.53	1.29	1-3/16
TFMI816N-1	1/2	1	.38	3.44	.53	1.46	1-7/16
TFMI1216N-1	3/4	1	.63	3.66	.56	1.46	1-7/16
TFMI1620N-1	1	1-1/4	.88	4.39	.46	1.75	1-3/4



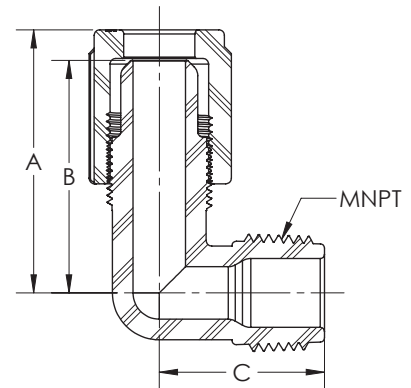
Double Containment Adapter (Male Flare)						
PVDF Part No.	Primary O.D.	Containment O.D.	A	B	C	Hex
DC48	1/4	1/2	1.40	.50	1.03	15/16
DC612	3/8	3/4	1.78	.73	1.35	1-3/16
DC812	1/2	3/4	1.78	.73	1.35	1-3/16
DC1216	3/4	1	2.04	.70	1.82	1-9/16



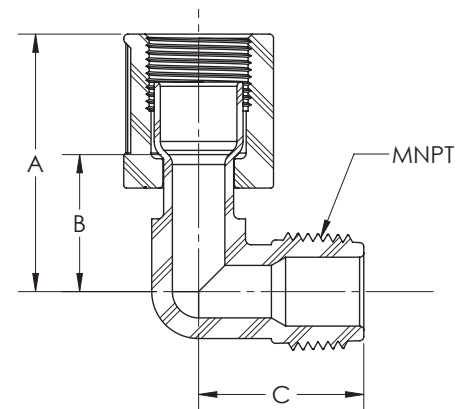
Double Containment Fittings Panel Mount Double Containment with O-Ring Containment Seal (Male Flare x Male Flare)										
PFA Part No.	Primary O.D.	Containment O.D.	Orifice	A	B	C	D	Hex 1	Hex 2	Min Panel Hole Dia
PM44DC8N-1	1/4	1/2	.15	3.60	1.53	2.07	.25	3/4	11/16	1/2
PM66DC12N-1	3/8	3/4	.25	3.95	1.63	2.32	.25	1-5/16	13/16	5/8
PM88DC12N-1	1/2	3/4	.38	4.15	1.73	2.42	.25	1-1/16	15/16	3/4
PM1212DC16N-1	3/4	1	.63	4.58	1.88	2.70	.25	1-5/16	1-3/16	1



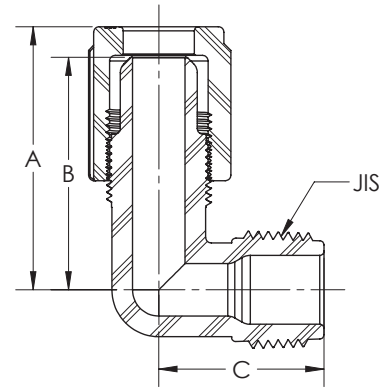
Male Elbow (Male Flare x MNPT)						
PFA Part No.	Tube O.D.	MNPT Size	Orifice	A	B	C
ME4-2N-1	1/4	1/8	.15	1.66	1.47	1.06
ME4-4N-1	1/4	1/4	.15	1.66	1.47	1.06
ME4-6N-1	1/4	3/8	.15	1.66	1.47	1.06
ME4-8N-1	1/4	1/2	.15	1.66	1.47	1.17
ME6-2N-1	3/8	1/8	.18	1.76	1.53	1.06
ME6-4N-1	3/8	1/4	.25	1.76	1.53	1.06
ME6-6N-1	3/8	3/8	.25	1.76	1.53	1.06
ME6-8N-1	3/8	1/2	.25	1.76	1.53	1.18
ME6-12N-1	3/8	3/4	.25	1.76	1.53	1.36
ME8-2N-1	1/2	1/8	.18	1.86	1.64	1.06
ME8-4N-1	1/2	1/4	.25	1.86	1.64	1.06
ME8-6N-1	1/2	3/8	.38	1.86	1.64	1.06
ME8-8N-1	1/2	1/2	.38	1.86	1.64	1.18
ME8-12N-1	1/2	3/4	.49	1.86	1.64	1.36
ME8-16N-1	1/2	1	.38	1.86	1.64	1.80
ME12-6N-1	3/4	3/8	.36	2.21	1.98	1.23
ME12-8N-1	3/4	1/2	.53	2.21	1.98	1.36
ME12-12N-1	3/4	3/4	.63	2.21	1.98	1.37
ME12-16N-1	3/4	1	.63	2.21	1.98	1.80
ME16-8N-1	1	1/2	.51	2.70	2.43	1.37
ME16-12N-1	1	3/4	.66	2.70	2.43	1.64
ME16-16N-1	1	1	.87	2.70	2.43	1.80



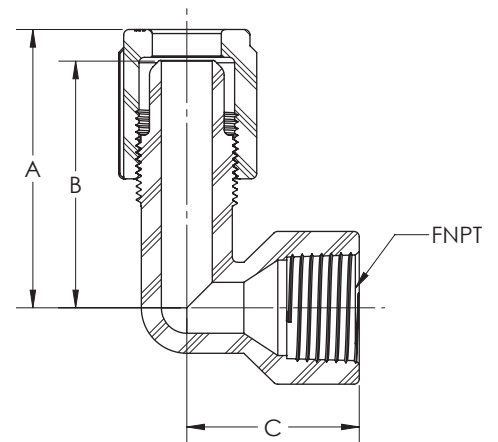
Male Elbow (TightFLARE) Patented (Female Flare x MNPT)						
PFA Part No.	TightFLARE Size	MNPT Size	Orifice	A	B	C
ME4T-4N-1	1/4	1/4	.15	1.66	1.47	1.06
ME6T-6N-1	3/8	3/8	.25	1.76	1.53	1.06
ME8T-8N-1	1/2	1/2	.38	1.85	1.63	1.18
ME12T-12N-1	3/4	3/4	.63	1.76	1.53	1.36
ME16T-16N-1	1	1	.88	1.76	1.49	1.18



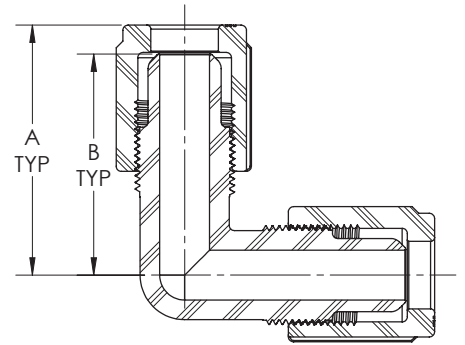
Male Elbow JIS (Male Flare x Metric Pipe)						
PFA Part No.	Tube O.D.	JIS Size	Orifice	A	B	C
ME4-4JN-1	1/4	1/4	.15	1.66	1.47	1.06
ME4-6JN-1	1/4	3/8	.15	1.66	1.47	1.06
ME6-4JN-1	3/8	1/4	.25	1.76	1.53	1.06
ME6-6JN-1	3/8	3/8	.25	1.76	1.53	1.06
ME6-8JN-1	3/8	1/2	.25	1.76	1.53	1.18
ME8-4JN-1	1/2	1/4	.25	1.86	1.64	1.06
ME8-6JN-1	1/2	3/8	.38	1.86	1.64	1.06
ME8-8JN-1	1/2	1/2	.38	1.86	1.64	1.18
ME8-12JN-1	1/2	3/4	.38	1.86	1.64	1.36
ME12-8JN-1	3/4	1/2	.53	2.21	1.98	1.36
ME12-12JN-1	3/4	3/4	.63	2.21	1.98	1.37
ME12-16JN-1	3/4	1	.63	2.21	1.98	1.80
ME16-12JN-1	1	3/4	.66	2.70	2.43	1.64
ME16-16JN-1	1	1	.87	2.70	2.43	1.80



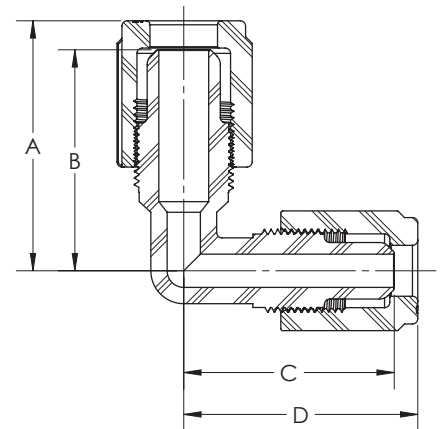
Female Elbow (Male Flare x FNPT)						
PFA Part No.	Tube O.D.	FNPT Size	Orifice	A	B	C
FE4-2N-1	1/4	1/8	.15	1.80	1.61	.81
FE4-4N-1	1/4	1/4	.15	1.80	1.61	.94
FE4-6N-1	1/4	3/8	.15	1.80	1.61	1.00
FE4-8N-1	1/4	1/2	.15	1.80	1.61	1.25
FE6-4N-1	3/8	1/4	.25	1.91	1.68	.94
FE6-6N-1	3/8	3/8	.25	1.91	1.68	1.00
FE6-8N-1	3/8	1/2	.25	1.91	1.68	1.25
FE8-4N-1	1/2	1/4	.36	2.03	1.81	.96
FE8-6N-1	1/2	3/8	.38	2.03	1.81	1.00
FE8-8N-1	1/2	1/2	.38	2.03	1.81	1.27
FE8-12N-1	1/2	3/4	.38	2.03	1.81	1.53
FE12-8N-1	3/4	1/2	.54	2.22	1.99	1.44
FE12-12N-1	3/4	3/4	.63	2.22	1.99	1.53
FE16-16N-1	1	1	.88	2.67	2.40	1.60



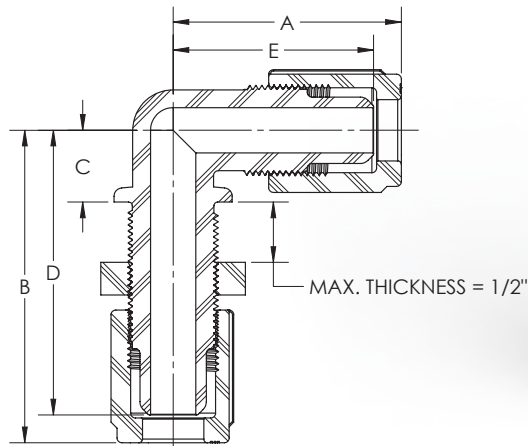
Union Elbow (Male Flare x Male Flare)				
PFA Part No.	Tube	Orifice	A	B
UE44N-1	1/4	.15	1.66	1.47
UE66N-1	3/8	.25	1.76	1.53
UE88N-1	1/2	.38	1.87	1.65
UE1212N-1	3/4	.63	2.22	1.99
UE1616N-1	1	.87	2.70	2.43
UE2020N-1	1-1/4	1.10	2.96	2.65



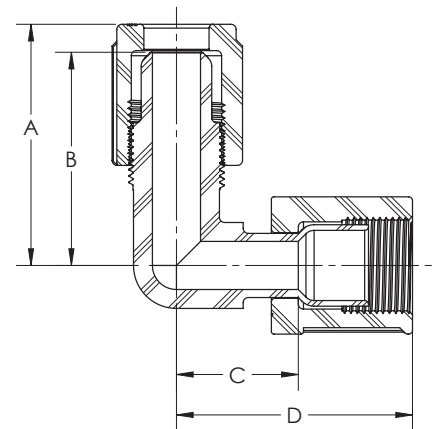
Union Elbow Reducer (Male Flare x Male Flare)							
PFA Part No.	Tube O.D.	Tube O.D.	Orifice	A	B	C	D
UE64N-1	3/8	1/4	.15	1.76	1.53	1.47	1.66
UE84N-1	1/2	1/4	.15	1.87	1.65	1.47	1.66
UE86N-1	1/2	3/8	.25	1.87	1.65	1.53	1.76
UE124N-1	3/4	1/4	.15	2.22	1.99	1.47	1.66
UE126N-1	3/4	3/8	.25	2.22	1.99	1.53	1.76
UE128N-1	3/4	1/2	.38	2.22	1.99	1.65	1.87
UE168N-1	1	1/2	.38	2.70	2.43	1.81	2.03
UE1612N-1	1	3/4	.63	2.70	2.43	1.99	2.22



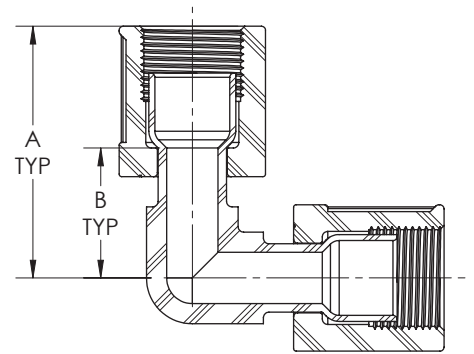
Union Elbow Panel Mount (Male Flare x Male Flare)								
PFA Part No.	Tube O.D.	Orifice	A	B	C	D	E	Min Panel Hole Dia
EPMX44N-1	1/4	.15	1.65	2.38	.52	2.19	1.45	1/2
EPMX66N-1	3/8	.25	1.81	2.53	.52	2.31	1.58	5/8
EPMX88N-1	1/2	.38	1.88	2.58	.60	2.36	1.66	3/4
EPMX1212N-1	3/4	.63	2.22	2.93	.81	2.69	1.98	1



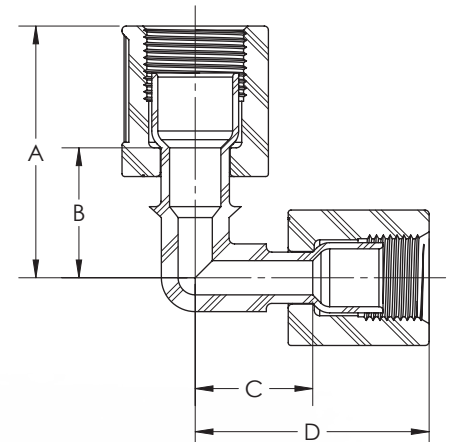
Union Elbow (TightFLARE) Patented (Male Flare x Female Flare)							
PFA Part No.	Tube O.D.	TightFLARE	Orifice	A	B	C	D
UE44TN-1	1/4	1/4	.15	1.65	1.46	.87	1.64
UE46TN-1	1/4	3/8	.15	1.65	1.46	.96	1.73
UE48TN-1	1/4	1/2	.15	1.65	1.46	1.07	1.84
UE64TN-1	3/8	1/4	.15	1.76	1.53	1.41	1.64
UE66TN-1	3/8	3/8	.25	1.76	1.53	1.41	1.73
UE68TN-1	3/8	1/2	.25	1.76	1.53	1.41	1.84
UE612TN-1	3/8	3/4	.25	1.76	1.53	1.41	2.13
UE84TN-1	1/2	1/4	.15	1.87	1.65	1.42	1.64
UE86TN-1	1/2	3/8	.25	1.87	1.65	1.42	1.73
UE88TN-1	1/2	1/2	.38	1.87	1.65	1.42	1.84
UE812TN-1	1/2	3/4	.38	1.87	1.65	1.42	2.13
UE816TN-1	1/2	1	.38	2.03	1.81	1.42	2.74
UE126TN-1	3/4	3/8	.25	2.22	1.99	1.50	1.73
UE128TN-1	3/4	1/2	.38	2.22	1.99	1.50	1.84
UE1212TN-1	3/4	3/4	.63	2.22	1.99	1.50	2.13
UE1216TN-1	3/4	1	.63	2.22	1.99	1.50	2.74
UE1612TN-1	1	3/4	.63	2.70	2.43	1.86	2.13
UE1616TN-1	1	1	.88	2.70	2.43	1.86	2.74
UE2020TN-1	1-1/4	1-1/4	1.10	2.96	2.65	2.79	3.10



Union Elbow (TightFLARE) Patented (Female Flare x Female Flare)				
PFA Part No.	TightFLARE	Orifice	A	B
UE4TN-1	1/4	.15	1.64	.87
UE6TN-1	3/8	.25	1.73	.88
UE8TN-1	1/2	.38	1.84	.94
UE12TN-1	3/4	.63	2.13	1.08
UE16TN-1	1	.88	2.74	1.40
UE20TN-1	1-1/4	1.10	3.10	1.80



Union Elbow Reducer (TightFLARE) Patented (Female Flare x Female Flare)							
PFA Part No.	TightFLARE	TightFLARE	Orifice	A	B	C	D
UE6T4TN-1	3/8	1/4	.15	1.73	.88	.87	1.64
UE8T4TN-1	1/2	1/4	.15	1.84	.90	.87	1.64
UE8T6TN-1	1/2	3/8	.25	1.84	.90	.88	1.73
UE12T8TN-1	3/4	1/2	.38	2.13	1.08	.94	1.84
UE16T12TN-1	1	3/4	.63	2.74	1.40	1.08	2.13



Flow Coefficient (Cv) Data Comparison

Fit-Line's 1/4" Sweep Elbow

- 133% more efficient than a standard 1/4" 90° Elbow

Fit-Line's 3/8" Sweep Elbow

- 67% more efficient than a standard 3/8" 90° Elbow

Fit-Line's 1/2" Sweep Elbow

- 90% more efficient than a standard 1/2" 90° Elbow
- 38% more efficient than competitor's 1/2" Sweep Elbow

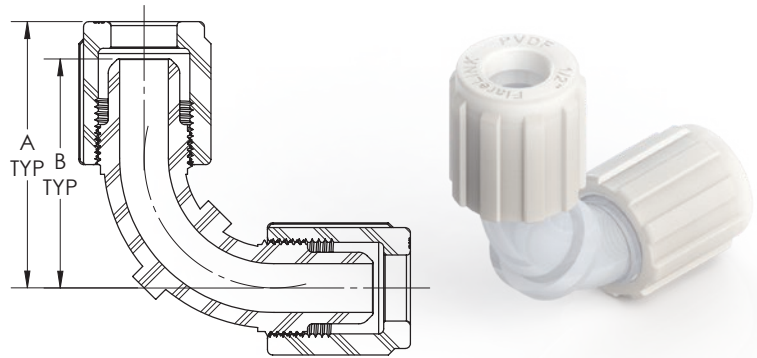
Fit-Line's 3/4" Sweep Elbow

- 116% more efficient than a standard 3/4" 90° Elbow
- 62% more efficient than competitor's 3/4" Sweep Elbow

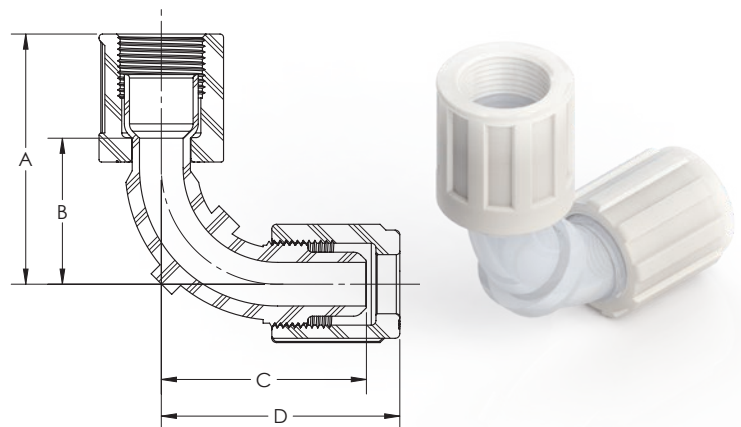
Fit-Line's 1" Sweep Elbow

- 130% more efficient than a standard 1" 90° Elbow
- 69% more efficient than competitor's 1" Sweep Elbow

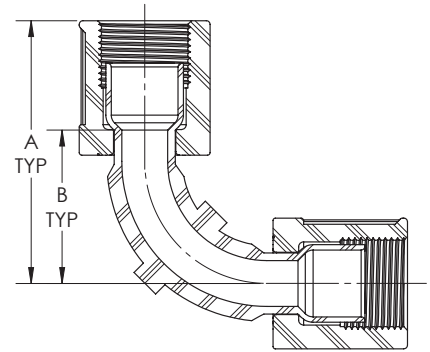
Union Elbow Sweep Patented (Male Flare x Male Flare)				
PFA Part No.	Tube O.D.	Orifice	A	B
UES44N-1	1/4	.15	1.62	1.43
UES66N-1	3/8	.25	1.83	1.60
UES88N-1	1/2	.38	2.05	1.83
UES1212N-1	3/4	.63	2.33	2.10
UES1616N-1	1	.88	2.78	2.51



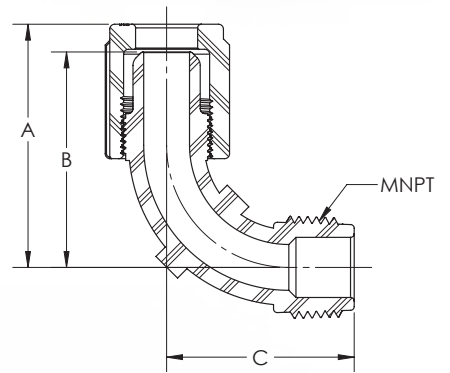
Union Elbow Sweep (TightFLARE) Patented (Male Flare x Female Flare)						
PFA Part No.	Tube O.D. / TightFLARE	Orifice	A	B	C	D
UES44TN-1	1/4	.15	1.62	1.43	1.01	1.78
UES66TN-1	3/8	.25	1.83	1.60	1.12	1.97
UES88TN-1	1/2	.38	2.05	1.83	1.25	2.15
UES1212TN-1	3/4	.63	2.33	2.10	1.51	2.56
UES1616TN-1	1	.88	2.78	2.51	1.88	3.22



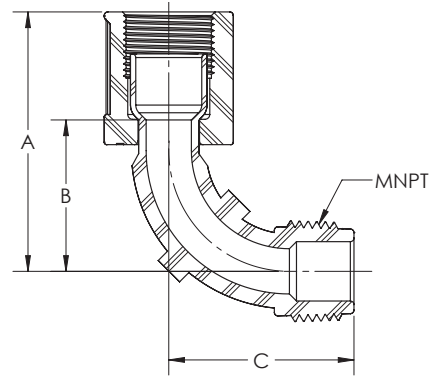
Union Elbow Sweep (TightFLARE) Patented (Female Flare x Female Flare)				
PFA Part No.	TightFLARE	Orifice	A	B
UES4TN-1	1/4	.15	1.78	1.01
UES6TN-1	3/8	.25	1.97	1.12
UES8TN-1	1/2	.38	2.15	1.25
UES12TN-1	3/4	.63	2.56	1.51
UES16TN-1	1	.88	3.22	1.88



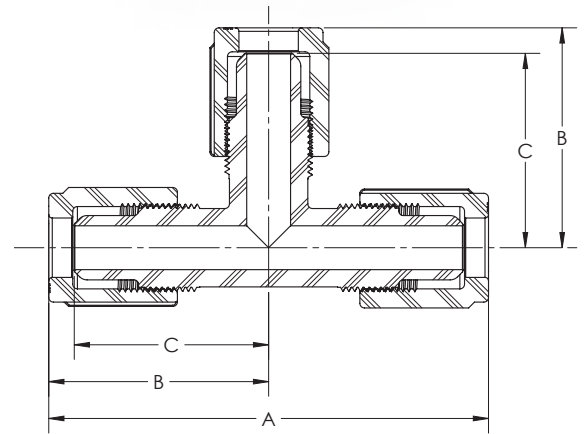
Male Elbow Sweep Patented (Male Flare x MNPT)					
PFA Part No.	Tube O.D. / MNPT	Orifice	A	B	C
MES4-4N-1	1/4	.15	1.62	1.43	1.20
MES6-6N-1	3/8	.25	1.83	1.60	1.32
MES8-8N-1	1/2	.38	2.05	1.83	1.55
MES12-12N-1	3/4	.63	2.33	2.10	1.76
MES16-16N-1	1	.88	2.78	2.51	2.26



Male Elbow Sweep (TightFLARE) Patented (Female Flare x Male Flare)					
PFA Part No.	TightFLARE / MNPT	Orifice	A	B	C
MES4T-4N-1	1/4	.15	1.78	1.01	1.20
MES6T-6N-1	3/8	.25	1.97	1.12	1.32
MES8T-8N-1	1/2	.38	2.15	1.25	1.55
MES12T-12N-1	3/4	.63	2.56	1.51	1.76
MES16T-16N-1	1	.88	3.22	1.88	2.26

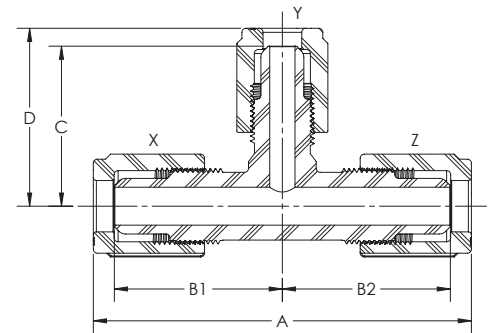


Union Tee (Male Flare x Male Flare x Male Flare)					
PFA Part No.	Tube O.D.	Orifice	A	B	C
UT4N-1	1/4	.15	3.32	1.66	1.47
UT6N-1	3/8	.25	3.52	1.76	1.53
UT8N-1	1/2	.38	3.74	1.87	1.65
UT12N-1	3/4	.63	4.44	2.22	1.99
UT16N-1	1	.88	5.40	2.70	2.43
UT20N-1	1-1/4	1.10	5.92	2.96	2.65



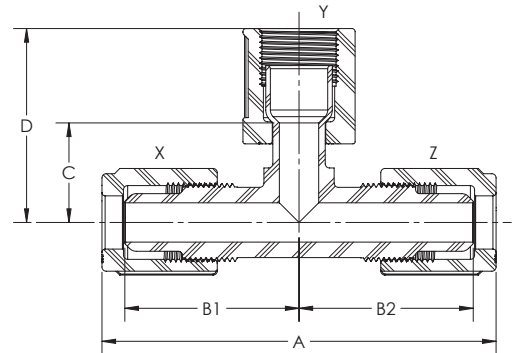
Union Tee Reducer
(Male Flare x Male Flare x Male Flare)

PFA Part No.	X	Y	Z	Orifice	A	B1	B2	C	D
UT4-6-4N-1	1/4	3/8	1/4	.15	3.32	1.47	1.47	1.53	1.76
UT4-8-4N-1	1/4	1/2	1/4	.15	3.32	1.47	1.47	1.65	1.87
UT6-4-4N-1	3/8	1/4	1/4	.15	3.42	1.53	1.47	1.47	1.66
UT6-4-6N-1	3/8	1/4	3/8	.15	3.52	1.53	1.53	1.47	1.66
UT6-6-4N-1	3/8	3/8	1/4	.15	3.42	1.53	1.47	1.53	1.76
UT6-8-6N-1	3/8	1/2	3/8	.25	3.52	1.53	1.53	1.65	1.87
UT6-12-6N-1	3/8	3/4	3/8	.25	3.52	1.53	1.53	1.98	2.23
UT8-4-4N-1	1/2	1/4	1/4	.15	3.53	1.65	1.47	1.47	1.66
UT8-4-6N-1	1/2	1/4	3/8	.15	3.63	1.65	1.53	1.47	1.66
UT8-4-8N-1	1/2	1/4	1/2	.15	3.74	1.65	1.65	1.47	1.66
UT8-6-6N-1	1/2	3/8	3/8	.25	3.63	1.65	1.53	1.53	1.76
UT8-6-8N-1	1/2	3/8	1/2	.25	3.74	1.65	1.65	1.53	1.76
UT8-8-4N-1	1/2	1/2	1/4	.15	3.53	1.65	1.47	1.65	1.87
UT8-8-6N-1	1/2	1/2	3/8	.38	3.63	1.65	1.53	1.65	1.87
UT8-12-8N-1	1/2	3/4	1/2	.38	3.72	1.66	1.65	1.99	2.22
UT12-4-12N-1	3/4	1/4	3/4	.15	4.44	1.99	1.99	1.47	1.66
UT12-6-12N-1	3/4	3/8	3/4	.25	4.44	1.99	1.99	1.53	1.76
UT12-8-8N-1	3/4	1/2	1/2	.38	4.09	1.99	1.65	1.65	1.87
UT12-8-12N-1	3/4	1/2	3/4	.38	4.44	1.99	1.99	1.65	1.87
UT12-12-4N-1	3/4	3/4	1/4	.15	3.90	1.99	1.47	1.99	2.24
UT12-12-6N-1	3/4	3/4	3/8	.25	3.98	1.99	1.53	1.99	2.22
UT12-12-8N-1	3/4	3/4	1/2	.38	4.09	1.99	1.65	1.99	2.22
UT12-16-12N-1	3/4	1	3/4	.63	4.44	1.99	1.99	2.43	2.70
UT16-4-16N-1	1	1/4	1	.15	5.40	2.43	2.43	1.83	2.02
UT16-6-16N-1	1	3/8	1	.25	5.40	2.43	2.43	1.90	2.13
UT16-8-8N-1	1	1/2	1/2	.38	4.66	2.52	1.66	1.66	1.87
UT16-8-16N-1	1	1/2	1	.38	5.40	2.43	2.43	2.04	2.26
UT16-12-12N-1	1	3/4	3/4	.63	5.40	2.43	1.99	1.99	2.22
UT16-12-16N-1	1	3/4	1	.63	4.92	2.43	2.43	1.99	2.22
UT16-16-4N-1	1	1	1/4	.15	4.69	2.41	1.83	2.41	2.69
UT16-16-6N-1	1	1	3/8	.25	4.77	2.41	1.90	2.41	2.69
UT16-16-8N-1	1	1	1/2	.38	4.92	2.43	2.00	2.43	2.70
UT16-16-12N-1	1	1	3/4	.63	4.92	2.43	1.99	2.43	2.70
UT20-16-20N-1	1-1/4	1	1-1/4	.88	5.90	2.65	2.65	2.41	2.69



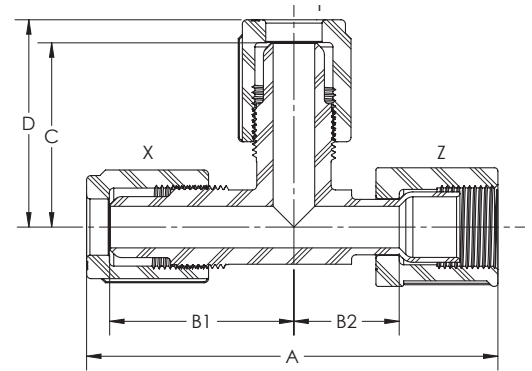
Union Tee (TightFLARE) Branch Patented
(Male Flare x Female Flare x Male Flare)

PFA Part No.	X	Y	Z	Orifice	A	B1	B2	C	D
UT4-4T-4N-1	1/4	1/4	1/4	.15	3.32	1.47	1.47	.87	1.64
UT4-6T-4N-1	1/4	3/8	1/4	.15	3.32	1.47	1.47	.88	1.73
UT6-4T-6N-1	3/8	1/4	3/8	.15	3.52	1.53	1.53	.87	1.64
UT6-6T-4N-1	3/8	3/8	1/4	.15	3.42	1.53	.89	.88	1.73
UT6-6T-6N-1	3/8	3/8	3/8	.25	3.52	1.53	1.53	.88	1.73
UT6-8T-6N-1	3/8	1/2	3/8	.25	3.52	1.53	1.53	.94	1.84
UT8-4T-8N-1	1/2	1/4	1/2	.15	3.74	1.65	1.65	.87	1.64
UT8-6T-8N-1	1/2	3/8	1/2	.25	3.74	1.65	1.65	.88	1.73
UT8-8T-4N-1	1/2	1/2	1/4	.15	3.53	1.65	1.47	.94	1.84
UT8-8T-6N-1	1/2	1/2	3/8	.25	3.63	1.65	1.53	.94	1.84
UT8-8T-8N-1	1/2	1/2	1/2	.38	3.74	1.65	1.65	.94	1.84
UT8-12T-8N-1	1/2	3/4	1/2	.38	3.74	1.65	1.65	1.08	2.13
UT12-4T-12N-1	3/4	1/4	3/4	.15	4.44	1.99	1.99	.87	1.64
UT12-6T-12N-1	3/4	3/8	3/4	.25	4.44	1.99	1.99	.88	1.73
UT12-8T-8N-1	3/4	1/2	1/2	.38	4.09	1.99	1.65	.94	1.84
UT12-8T-12N-1	3/4	1/2	3/4	.38	4.44	1.99	1.99	1.07	1.97
UT12-12T-6N-1	3/4	3/4	3/8	.25	3.98	1.99	1.53	1.08	2.13
UT12-12T-8N-1	3/4	3/4	1/2	.38	4.09	1.99	1.65	1.08	2.13
UT12-12T-12N-1	3/4	3/4	3/4	.63	4.44	1.99	1.99	1.08	2.13
UT12-16T-12N-1	3/4	1	3/4	.63	4.44	1.99	1.99	1.40	2.74
UT16-8T-16N-1	1	1/2	1	.38	5.40	2.43	2.43	1.19	2.09
UT16-12T-12N-1	1	3/4	3/4	.63	4.92	2.43	1.99	1.08	2.13
UT16-12T-16N-1	1	3/4	1	.63	5.40	2.43	2.43	1.18	2.23
UT16-16T-12N-1	1	1	3/4	.63	4.95	2.43	1.99	1.40	2.74
UT16-16T-16N-1	1	1	1	.88	5.40	2.43	2.43	1.40	2.74
UT20-20T-20N-1	1-1/4	1-1/4	1-1/4	1.10	5.92	2.65	2.65	1.80	3.10

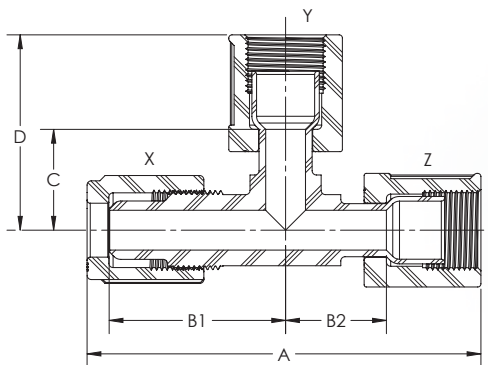


Union Tee (TightFLARE) Run Patented
(Male Flare x Male Flare x Female Flare)

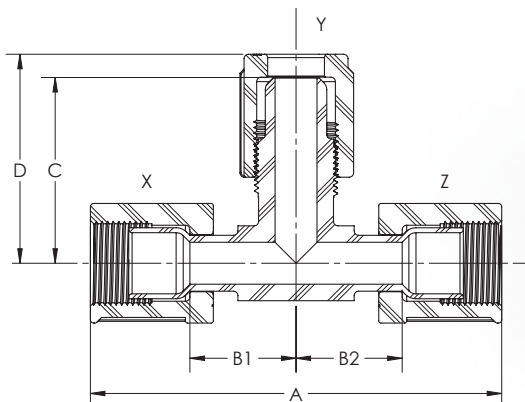
PFA Part No.	X	Y	Z	Orifice	A	B1	B2	C	D
UT4-4-4TN-1	1/4	1/4	1/4	.15	3.30	1.47	.87	1.47	1.66
UT4-8-8TN-1	1/4	1/2	1/2	.15	3.50	1.47	.94	1.65	1.87
UT6-4-6TN-1	3/8	1/4	3/8	.15	3.49	1.53	.88	1.47	1.66
UT6-6-6TN-1	3/8	3/8	3/8	.25	3.49	1.53	.88	1.53	1.76
UT6-6-8TN-1	3/8	3/8	1/2	.25	3.60	1.53	.94	1.53	1.76
UT6-8-8TN-1	3/8	1/2	1/2	.25	3.60	1.53	.94	1.65	1.87
UT6-12-12TN-1	3/8	3/4	3/4	.25	3.89	1.53	1.08	1.99	2.22
UT6-16-16TN-1	3/8	1	1	.25	4.82	1.90	1.40	2.41	2.69
UT8-4-8TN-1	1/2	1/4	1/2	.15	3.71	1.65	.94	1.47	1.66
UT8-6-6TN-1	1/2	3/8	3/8	.25	3.60	1.65	.88	1.53	1.76
UT8-6-8TN-1	1/2	3/8	1/2	.25	3.71	1.65	.94	1.53	1.76
UT8-8-6TN-1	1/2	1/2	3/8	.25	3.60	1.65	.88	1.65	1.87
UT8-8-8TN-1	1/2	1/2	1/2	.38	3.71	1.65	.94	1.65	1.87
UT8-8-12TN-1	1/2	1/2	3/4	.38	4.00	1.65	1.08	1.65	1.87
UT12-4-12TN-1	3/4	1/4	3/4	.15	4.35	1.99	1.08	1.47	1.66
UT12-6-12TN-1	3/4	3/8	3/4	.25	4.35	1.99	1.08	1.53	1.76
UT12-8-12TN-1	3/4	1/2	3/4	.38	4.35	1.99	1.08	1.65	1.87
UT12-12-8TN-1	3/4	3/4	1/2	.38	4.06	1.99	.94	1.99	2.22
UT12-12-12TN-1	3/4	3/4	3/4	.63	4.35	1.99	1.08	1.99	2.22
UT16-4-16TN-1	1	1/4	1	.15	5.44	2.43	1.40	1.83	2.02
UT16-6-16TN-1	1	3/8	1	.25	5.44	2.43	1.40	1.90	2.13
UT16-8-16TN-1	1	1/2	1	.38	5.44	2.43	1.40	2.04	2.26
UT16-12-16TN-1	1	3/4	1	.63	5.44	2.43	1.40	1.99	2.22
UT16-16-12TN-1	1	1	3/4	.63	4.94	2.43	1.40	2.43	2.70
UT16-16-16TN-1	1	1	1	.88	5.44	2.43	1.40	2.43	2.70
UT20-20-20TN-1	1-1/4	1-1/4	1-1/4	1.10	6.06	2.65	1.80	2.65	2.96



Union Tee (TightFLARE) Branch, Run Patented (Male Flare x Female Flare x Female Flare)									
PFA Part No.	X	Y	Z	Orifice	A	B1	B2	C	D
UT4-4T-4TN-1	1/4	1/4	1/4	.15	3.30	1.47	.77	.87	1.64
UT6-4T-6TN-1	3/8	1/4	3/8	.15	3.49	1.53	.88	.87	1.64
UT6-6T-6TN-1	3/8	3/8	3/8	.25	3.49	1.53	.88	.88	1.73
UT6-8T-8TN-1	3/8	1/2	1/2	.25	3.60	1.53	.94	.94	1.84
UT6-12T-12TN-1	3/8	3/4	3/4	.25	3.89	1.53	1.08	1.08	2.13
UT8-6T-6TN-1	1/2	3/8	3/8	.25	3.60	1.65	.88	.88	1.73
UT8-6T-8TN-1	1/2	3/8	1/2	.25	3.71	1.65	.94	.88	1.73
UT8-8T-8TN-1	1/2	1/2	1/2	.38	3.71	1.65	.94	.94	1.84
UT8-8T-12TN-1	1/2	1/2	3/4	.38	4.00	1.65	1.08	.94	1.84
UT8-12T-12TN-1	1/2	3/4	3/4	.38	4.00	1.65	1.08	1.08	2.13
UT12-8T-8TN-1	3/4	1/2	1/2	.38	4.06	1.99	.94	.94	1.84
UT12-8T-12TN-1	3/4	1/2	3/4	.38	4.35	1.99	1.08	.94	1.84
UT12-12T-8TN-1	3/4	3/4	1/2	.38	4.06	1.99	.94	1.08	2.13
UT12-12T-12TN-1	3/4	3/4	3/4	.63	4.35	1.99	1.08	1.08	2.13
UT16-8T-16TN-3	1	1/2	1	.38	5.44	2.43	1.40	1.19	2.09
UT16-12T-12TN-1	1	3/4	3/4	.63	4.83	2.43	1.08	1.08	2.13
UT16-12T-16TN-1	1	3/4	1	.63	5.44	2.43	1.40	1.08	2.13
UT16-16T-12TN-1	1	1	3/4	.63	4.94	2.43	1.19	1.40	2.74
UT16-16T-16TN-1	1	1	1	.88	5.44	2.43	1.40	1.40	2.74
UT20-16T-20TN-1	1-1/4	1	1-1/4	.88	6.06	2.65	1.80	1.25	2.59
UT20-20T-20TN-1	1-1/4	1-1/4	1-1/4	1.10	6.06	2.65	1.80	1.80	3.10

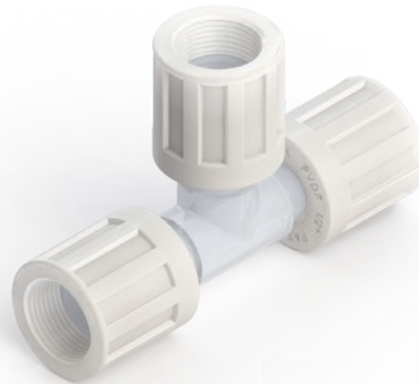
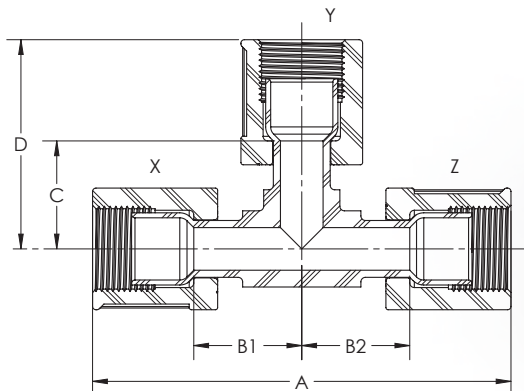


Union Tee (TightFLARE) Run, Run Patented (Female Flare x Male Flare x Female Flare)									
PFA Part No.	X	Y	Z	Orifice	A	B1	B2	C	D
UT4T-4-4TN-1	1/4	1/4	1/4	.15	3.28	.87	.87	1.47	1.66
UT4T-6-4TN-1	1/4	3/8	1/4	.15	3.28	.87	.87	1.53	1.76
UT6T-4-6TN-1	3/8	1/4	3/8	.15	3.46	.88	.88	1.47	1.66
UT6T-6-6TN-1	3/8	3/8	3/8	.25	3.46	.88	.88	1.53	1.76
UT6T-8-6TN-1	3/8	1/2	3/8	.25	3.46	.88	.88	1.65	1.87
UT8T-4-8TN-1	1/2	1/4	1/2	.15	3.68	.94	.94	1.47	1.66
UT8T-6-6TN-1	1/2	3/8	3/8	.25	3.57	.94	.88	1.53	1.76
UT8T-8-4TN-1	1/2	1/2	1/4	.15	3.48	.94	.87	1.65	1.87
UT8T-8-6TN-1	1/2	1/2	3/8	.25	3.57	.94	.88	1.65	1.87
UT8T-8-8TN-1	1/2	1/2	1/2	.38	3.68	.94	.94	1.65	1.87
UT8T-12-8TN-1	1/2	3/4	1/2	.38	3.68	.94	.94	1.99	2.22
UT12T-4-12TN-1	3/4	1/4	3/4	.15	4.26	1.08	1.08	1.47	1.66
UT12T-6-12TN-1	3/4	3/8	3/4	.25	4.26	1.08	1.08	1.53	1.76
UT12T-8-8TN-1	3/4	1/2	1/2	.38	4.26	1.08	1.08	1.65	1.87
UT12T-8-12TN-1	3/4	1/2	3/4	.38	4.26	1.08	1.08	1.65	1.87
UT12T-12-12TN-1	3/4	3/4	3/4	.63	4.26	1.08	1.08	1.99	2.22
UT12T-16-12TN-1	3/4	1	3/4	.63	4.26	1.08	1.08	2.43	2.70
UT16T-6-16TN-1	1	3/8	1	.25	5.48	1.40	1.40	1.90	2.13
UT16T-8-16TN-1	1	1/2	1	.38	5.48	1.40	1.40	2.04	2.26
UT16T-12-16TN-1	1	3/4	1	.63	5.48	1.40	1.40	1.98	2.21
UT16T-16-16TN-1	1	1	1	.88	5.48	1.40	1.40	2.43	2.70
UT20T-20-20TN-1	1-1/4	1-1/4	1-1/4	1.10	6.20	1.80	1.80	2.65	2.96



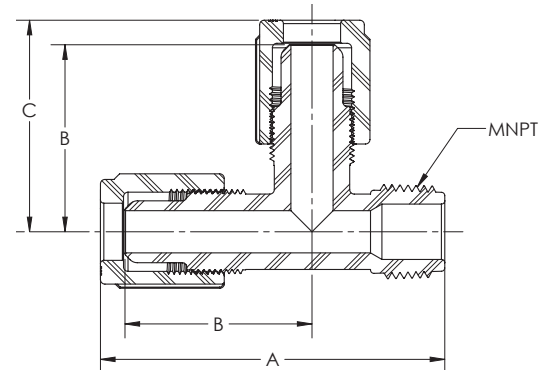
Union Tee (TightFLARE) All Patented
(Female Flare x Female Flare x Female Flare)

PFA Part No.	X	Y	Z	Orifice	A	B1	B2	C	D
UT4TN-1	1/4	1/4	1/4	.15	3.28	.87	.87	.87	1.64
UT4T-6T-4TN-1	1/4	3/8	1/4	.15	3.28	.87	.87	.88	1.73
UT6TN-1	3/8	3/8	3/8	.25	3.46	.88	.88	.88	1.73
UT6T-8T-4TN-1	3/8	1/2	1/4	.15	3.37	.88	.87	.94	1.84
UT8TN-1	1/2	1/2	1/2	.38	3.68	.94	.94	.94	1.84
UT8T-6T-6TN-1	1/2	3/8	3/8	.25	3.57	.94	.88	.88	1.73
UT8T-8T-4TN-1	1/2	1/2	1/4	.15	3.48	.94	.87	.94	1.84
UT8T-12T-8TN-1	1/2	3/4	1/2	.38	3.68	.94	.94	1.08	2.13
UT12TN-1	3/4	3/4	3/4	.63	4.26	1.08	1.08	1.08	2.13
UT12T-6T-12TN-1	3/4	3/8	3/4	.25	4.26	1.08	1.08	.88	1.73
UT12T-8T-12TN-1	3/4	1/2	3/4	.38	4.23	1.08	1.08	.94	1.84
UT12T-12T-8TN-1	3/4	3/4	1/2	.38	3.97	1.08	.94	1.08	2.13
UT16T-12T-16TN-1	1	3/4	1	.63	5.48	1.40	1.40	1.08	2.13
UT16TN-1	1	1	1	.88	5.48	1.40	1.40	1.40	2.74
UT20TN-1	1-1/4	1-1/4	1-1/4	1.10	6.20	1.80	1.80	1.80	3.10
UT20T-16T-20TN-1	1-1/4	1	1-1/4	.88	6.20	1.80	1.80	1.25	2.59



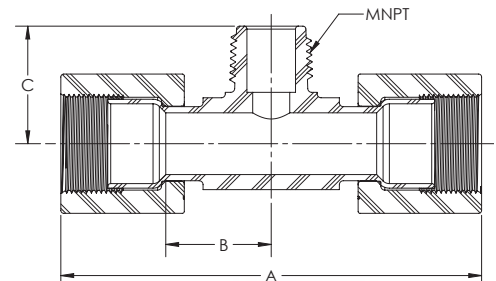
Male Run Tee
(Male Flare x Male Flare x MNPT)

PFA Part No.	Tube O.D.	Tube O.D.	MNPT Size	Orifice	A	B	C
MRT44-2N-1	1/4	1/4	1/8	.15	2.72	1.49	1.68
MRT44-4N-1	1/4	1/4	1/4	.15	2.72	1.49	1.68
MRT44-6N-1	1/4	1/4	3/8	.15	2.72	1.49	1.68
MRT66-2N-1	3/8	3/8	1/8	.17	2.83	1.53	1.76
MRT66-4N-1	3/8	3/8	1/4	.25	2.83	1.53	1.76
MRT66-6N-1	3/8	3/8	3/8	.25	2.83	1.53	1.76
MRT66-8N-1	3/8	3/8	1/2	.25	2.83	1.53	1.76
MRT88-6N-1	1/2	1/2	3/8	.38	2.96	1.65	1.87
MRT88-8N-1	1/2	1/2	1/2	.38	3.04	1.65	1.87
MRT1212-6N-1	3/4	3/4	3/8	.38	3.45	1.99	2.22
MRT1212-8N-1	3/4	3/4	1/2	.49	3.56	1.99	2.22
MRT1212-12N-1	3/4	3/4	3/4	.63	3.59	1.99	2.22
MRT1616-12N-1	1	1	3/4	.63	4.34	2.43	2.70
MRT1616-16N-1	1	1	1	.88	4.50	2.43	2.70



Male Branch Tee (TightFLARE) Patented
(Female Flare x MNPT x Female Flare)

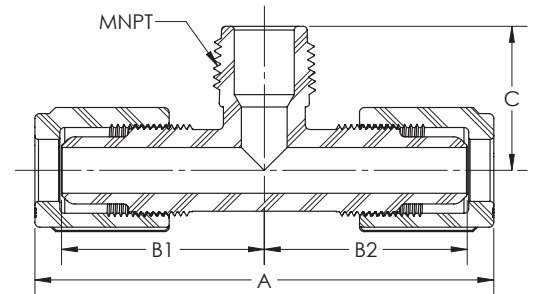
PFA Part No.	TightFLARE	MNPT Size	Orifice	A	B	C
MBT12T12T-8N-1	3/4	1/2	.49	4.24	1.07	1.35
MBT16T16T-8N-1	1	1/2	.49	5.48	1.40	1.63
MBT16T16T-16N-1	1	1	.88	5.48	1.40	1.81



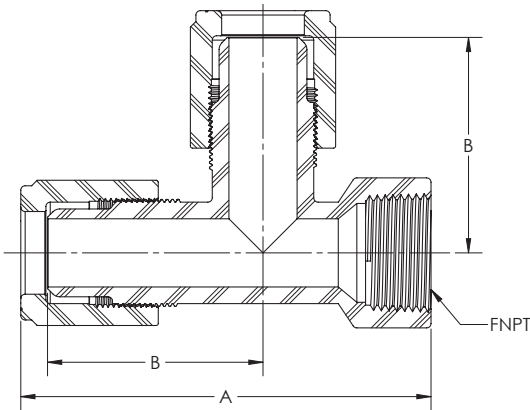
Male Branch Tee

(Male Flare x MNPT x Male Flare)

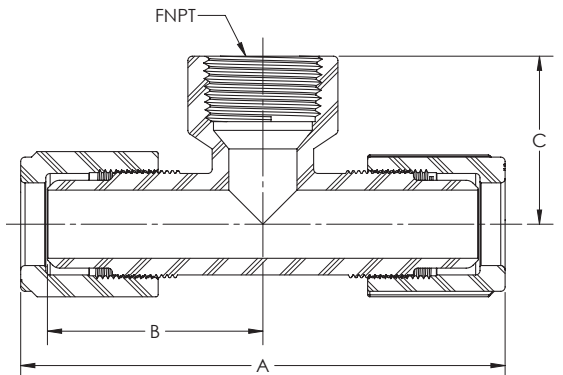
PFA Part No.	Tube O.D.	Tube O.D.	MNPT Size	Orifice	A	B1	B2	C
MBT44-2N-1	1/4	1/4	1/8	.15	3.32	1.47	1.47	1.07
MBT44-4N-1	1/4	1/4	1/4	.15	3.32	1.47	1.47	1.07
MBT44-8N-1	1/4	1/4	1/2	.15	3.32	1.47	1.47	1.17
MBT64-4N-1	3/8	1/4	1/4	.15	3.42	1.53	1.47	1.07
MBT64-6N-1	3/8	1/4	3/8	.15	3.52	1.53	1.57	1.07
MBT66-2N-1	3/8	3/8	1/8	.25	3.52	1.53	1.53	1.07
MBT66-4N-1	3/8	3/8	1/4	.25	3.52	1.53	1.53	1.07
MBT66-6N-1	3/8	3/8	3/8	.25	3.52	1.53	1.53	1.07
MBT66-8N-1	3/8	3/8	1/2	.25	3.52	1.53	1.53	1.17
MBT84-8N-1	1/2	1/4	1/2	.15	3.53	1.65	1.47	1.17
MBT86-6N-1	1/2	3/8	3/8	.25	3.64	1.65	1.54	1.08
MBT86-8N-1	1/2	3/8	1/2	.25	3.64	1.65	1.54	1.17
MBT88-4N-1	1/2	1/2	1/4	.25	3.74	1.65	1.65	1.07
MBT88-6N-1	1/2	1/2	3/8	.38	3.74	1.65	1.65	1.08
MBT88-8N-1	1/2	1/2	1/2	.38	3.74	1.65	1.65	1.17
MBT88-12N-1	1/2	1/2	3/4	.38	3.74	1.65	1.65	1.35
MBT1212-4N-1	3/4	3/4	1/4	.25	4.44	1.99	1.99	1.27
MBT1212-8N-1	3/4	3/4	1/2	.51	4.44	1.99	1.99	1.35
MBT1212-12N-1	3/4	3/4	3/4	.63	4.44	1.99	1.99	1.35
MBT1616-4N-1	1	1	1/4	.25	5.40	2.43	2.43	1.57
MBT1616-6N-1	1	1	3/8	.38	5.40	2.43	2.43	1.54
MBT1616-8N-1	1	1	1/2	.51	5.40	2.43	2.43	1.63
MBT1616-12N-1	1	1	3/4	.69	5.40	2.43	2.43	1.63
MBT1616-16N-1	1	1	1	.88	5.40	2.43	2.43	1.81
MBT2020-8N-1	1-1/4	1-1/4	1/2	.51	5.92	2.65	2.65	2.00



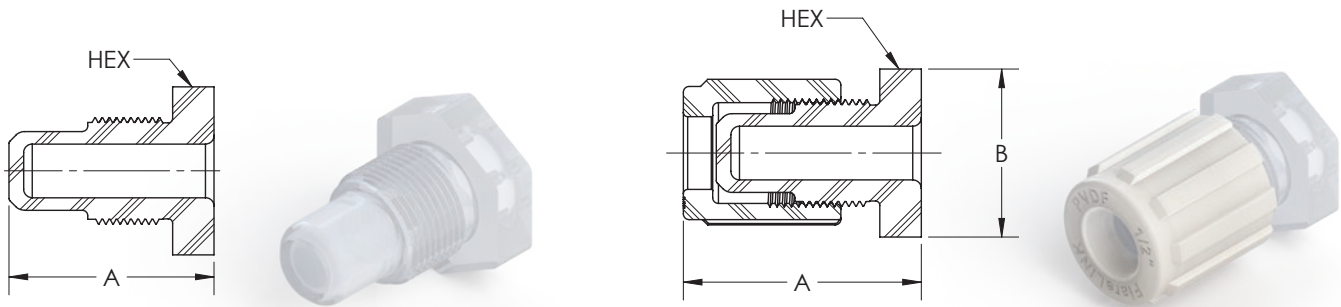
Female Run Tee (Male Flare x Male Flare x FNPT)						
PFA Part No.	Tube O.D.	Tube O.D.	FNPT Size	Orifice	A	B
FRT1212-12N-1	3/4	3/4	3/4	.63	3.75	1.99



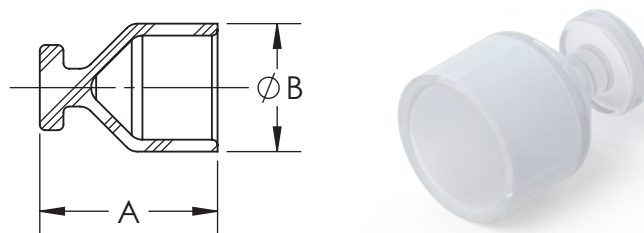
Female Branch Tee (Male Flare x FNPT x Male Flare)						
PFA Part No.	Tube O.D.	NPT	Orifice	A	B	C
FBT88-4N-1	1/2	1/4	.38	3.72	1.66	1.11
FBT1212-4N-1	3/4	1/4	.38	4.44	1.99	1.32
FBT1212-12N-1	3/4	3/4	.63	4.44	1.99	1.53
FBT1616-4N-1	1	1/4	.38	5.40	2.43	1.43
FBT1616-8N-1	1	1/2	.51	5.40	2.43	1.38



Flare Plug and Nut (Male Flare)							
PFA Flare Plug Part No.	Tube O.D.	A	Hex	PFA Flare Plug & Nut Part No.	A	B	Hex
FP4	1/4	1.25	5/8	FP4N-1	1.47	.70	5/8
FP6	3/8	1.34	13/16	FP6N-1	1.57	.92	13/16
FP8	1/2	1.43	15/16	FP8N-1	1.67	1.04	15/16
FP12	3/4	1.58	1-3/16	FP12N-1	1.79	1.32	1-3/16
FP16	1	1.75	1-7/16	FP16N-1	2.01	1.60	1-7/16
FP20	1-1/4	2.13	1-3/4	FP20N-1	2.63	1.96	1-3/4

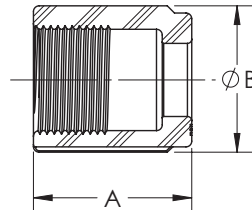


Flare Cap (Female Flare)			
PFA Part No.	Flare Size	A	B
FCAP4	1/4	.71	.39
FCAP6	3/8	.84	.53
FCAP8	1/2	.92	.68
FCAP12	3/4	1.04	.93
FCAP16	1	1.20	1.26
FCAP20	1-1/4	1.77	1.57



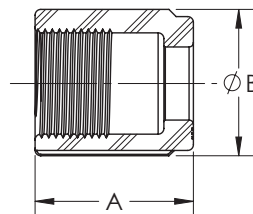
Flare Nut PFA

PFA Part No.	Tube O.D.	A	B
N4-3	1/4	1.02	.84
N6-3	3/8	1.03	.99
N8-3	1/2	1.12	1.07
N12-3	3/4	1.27	1.41
N16-3	1	1.51	1.85
N20-3	1-1/4	1.86	2.32



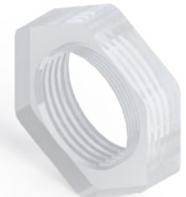
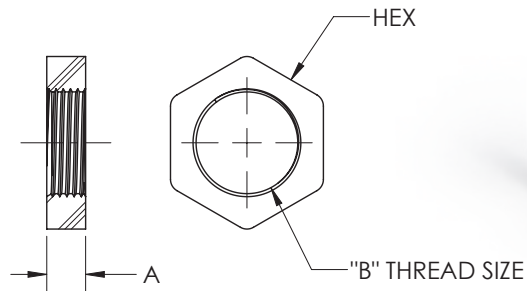
Flare Nut PVDF

PVDF Part No.	Tube O.D.	A	B
N4-1	1/4	1.00	.73
N6-1	3/8	1.01	.85
N8-1	1/2	1.09	1.00
N12-1	3/4	1.25	1.32
N16-1	1	1.49	1.76
N20-1	1-1/4	1.83	2.20



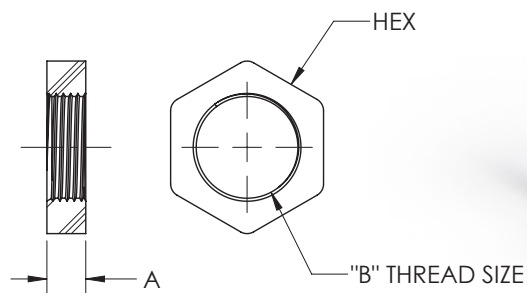
Panel Mount Nut (Half Nut) PFA

PFA Part No.	Hex	A	B
PMN4-3	13/16	.29	1/2-20 UNF
PMN6-3	1	.29	5/8-20 UN
PMN8-3	1-1/8	.30	3/4-20 UNEF
PMN12-3	1-3/8	.32	1-20 UNEF



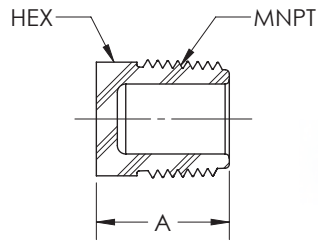
Panel Mount Nut (Half Nut) PVDF

PVDF Part No.	Hex	A	B
PMN4-1	3/4	.26	1/2-20 UNF
PMN6-1	15/16	.26	5/8-20 UN
PMN8-1	1-1/16	.27	3/4-20 UNEF
PMN12-1	1-5/16	.28	1-20 UNEF
PMN16-1	1-3/4	.27	1-7/16-12 UN



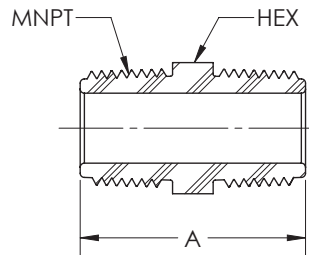
Pipe Plug

PFA Part No.	MNPT Size	A	Hex
PP2	1/8	.80	1/2
PP4	1/4	.85	5/8
PP6	3/8	.85	11/16
PP8	1/2	.96	13/16
PP12	3/4	.96	1-3/16
PP16	1	1.14	1-7/16



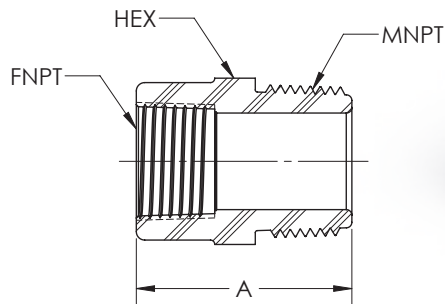
Pipe Nipple

PFA Part No.	MNPT Size	A	Hex
PN2	1/8	1.31	1/2
PN4	1/4	1.41	5/8
PN6	3/8	1.41	11/16
PN8	1/2	1.61	13/16
PN12	3/4	1.67	1-3/16
PN16	1	2.01	1-7/16



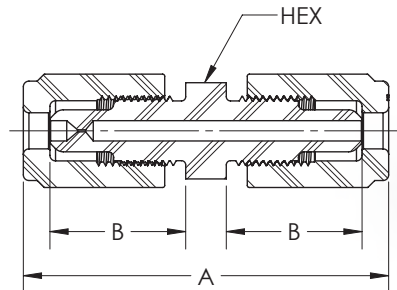
Female Male Connector Reducer

PFA Part No.	FNPT	MNPT Size	A	Hex
FMCR4-8	1/4	1/2	1.29	13/16
FMCR6-8	3/8	1/2	1.38	15/16
FMCR8-12	1/2	3/4	1.53	1-3/16



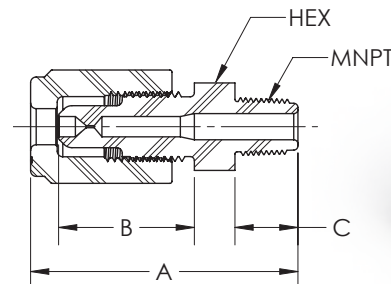
Reduced Orifice Fittings (Straight Union) (Male Flare x Male Flare)

PFA Part No.	Tube O.D.	Orifice	A	B	Hex
SU44N-1x.030	1/4	.030	2.65	.99	11/16



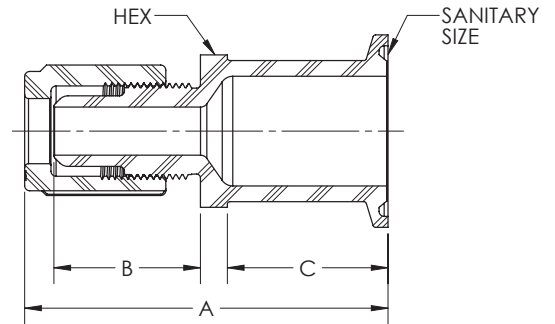
Reduced Orifice Fittings (Male Connector) (Male Flare x MNPT)

PFA Part No.	Tube O.D.	MNPT Size	Orifice	A	B	C	Hex
MC4-2N-1x.030	1/4	1/8	.030	1.92	.99	.45	5/8
MC4-2N-1x.015	1/4	1/8	.015	1.92	.99	.45	5/8



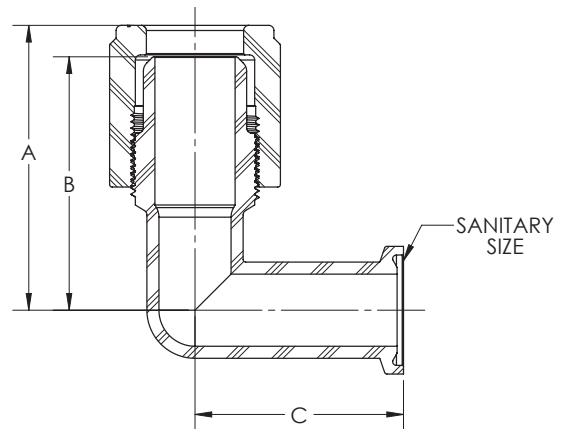
Male Connector by Sanitary End
(Male Flare x Sanitary Size)

PVDF Part No.	Tube O.D.	Sanitary Size	Orifice	A	B	C	Hex
MC4-MINI	1/4	MINI	.15	2.49	.97	1.12	7/8
MC6-MINI	3/8	MINI	.25	2.58	1.02	1.12	7/8
MC8-MINI	1/2	MINI	.38	2.70	1.15	1.12	7/8
MC8-MAXI	1/2	MAXI	.38	2.83	1.15	1.25	1-3/16
MC12-MINI	3/4	MINI	.56	2.72	1.16	1.12	1-1/8
MC12-MAXI	3/4	MAXI	.63	2.99	1.16	1.25	1-3/16
MC16-MINI	1	MINI	.56	2.92	1.32	1.12	1-7/16
MC16-MAXI	1	MAXI	.86	3.04	1.32	1.25	1-7/16

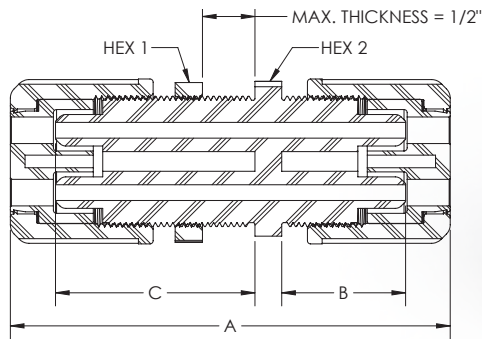


Union Elbow by Sanitary End
(Male Flare x Sanitary Size)

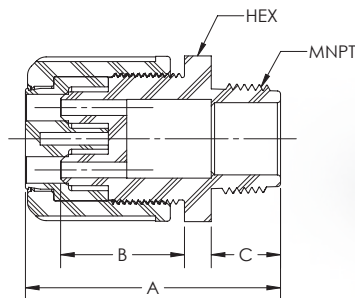
PVDF Part No.	Tube O.D.	Sanitary Size	Orifice	A	B	C
UE12-MINI	3/4	MINI	.56	2.22	1.99	1.63
UE12-MAXI	3/4	MAXI	.63	2.22	1.99	1.95
UE16-MINI	1	MINI	.56	2.71	2.44	1.63
UE16-MAXI	1	MAXI	.86	2.71	2.44	1.95



Multi-Flare Panel Mount Patented (Male Flare x Male Flare)									
PVDF Part No.	Tube O.D.	Ports	Orifice	A	B	C	Hex 1	Hex 2	Min Panel Hole Dia
MSUPM4-2	1/4	2	.15	4.13	1.18	1.87	1-3/8	1-1/4	1-1/8
MSUPM4-3	1/4	3	.15	4.13	1.18	1.87	1-3/8	1-1/4	1-1/8
MSUPM4-4	1/4	4	.15	4.13	1.18	1.87	1-1/2	1-3/8	1-1/4
MSUPM4-6	1/4	6	.15	4.13	1.18	1.87	1-3/4	1-5/8	1-1/2

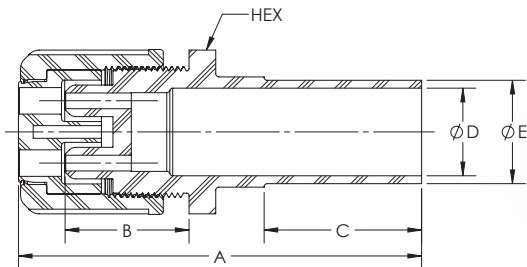


Multi-Flare Male Connector Patented (Male Flare x MNPT)									
PVDF Part No.	Tube O.D.	MNPT Size	Ports	Orifice	A	B	C	Hex	
MMC4-8-2	1/4	1/2	2	.15	2.49	1.18	.66	1-1/4	
MMC4-8-3	1/4	1/2	3	.15	2.49	1.18	.66	1-1/4	
MMC4-12-2	1/4	3/4	2	.15	2.50	1.18	.67	1-1/4	
MMC4-12-3	1/4	3/4	3	.15	2.50	1.18	.67	1-1/4	
MMC4-12-4	1/4	3/4	4	.15	2.50	1.18	.67	1-3/8	
MMC4-16-3	1/4	1	3	.15	2.68	1.18	.85	1-1/4	
MMC4-16-4	1/4	1	4	.15	2.68	1.18	.85	1-3/8	
MMC4-16-6	1/4	1	6	.15	2.68	1.18	.85	1-5/8	



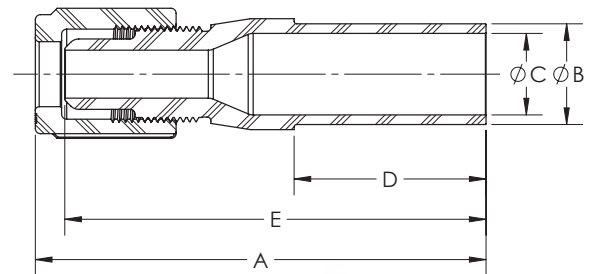
Multi-Flare Transition Fitting Patented
(Male Flare x Metric Pipe)

PVDF Part No.	Tube O.D.	Ports	Orifice	A	B	C	D	E	Hex
MTSF4-25MM-2	1/4	2	.15	3.75	1.18	1.50	.82	.98	1-1/4
MTSF4-25MM-3	1/4	3	.15	3.75	1.18	1.50	.82	.98	1-1/4
MTSF4-25MM-4	1/4	4	.15	3.75	1.18	1.50	.82	.98	1-3/8
MTSF4-32MM-4	1/4	4	.15	3.75	1.18	1.50	1.07	1.26	1-3/8
MTSF4-32MM-6	1/4	6	.15	3.75	1.18	1.50	1.07	1.26	1-5/8



Transition Fitting
(Male Flare x Metric Pipe)

PVDF Part No.	Tube O.D.	A	B	C	D	E
TSF4-20MM	1/4	3.30	.79	.64	1.50	3.11
TSF4-25MM	1/4	3.30	.98	.82	1.50	3.11
TSF6-20MM	3/8	3.40	.79	.64	1.50	3.17
TSF6-25MM	3/8	3.40	.98	.82	1.50	3.17
TSF8-20MM	1/2	3.50	.79	.64	1.50	3.28
TSF8-25MM	1/2	3.50	.98	.82	1.50	3.28
TSF8-32MM	1/2	3.50	1.26	1.07	1.50	3.28
TSF8-40MM	1/2	3.50	1.57	1.38	1.50	3.28
TSF12-20MM	3/4	3.64	.79	.64	1.50	3.41
TSF12-25MM	3/4	3.64	.98	.82	1.50	3.41
TSF12-32MM	3/4	3.64	1.26	1.07	1.50	3.41
TSF12-40MM	3/4	3.64	1.57	1.38	1.50	3.41
TSF16-25MM	1	3.80	.98	.82	1.50	3.53
TSF16-32MM	1	3.80	1.26	1.07	1.50	3.53
TSF16-40MM	1	3.80	1.57	1.38	1.50	3.53
TSF16-50MM	1	3.90	1.97	1.73	1.48	3.53
TSF16-63MM	1	3.90	2.48	2.24	1.48	3.53



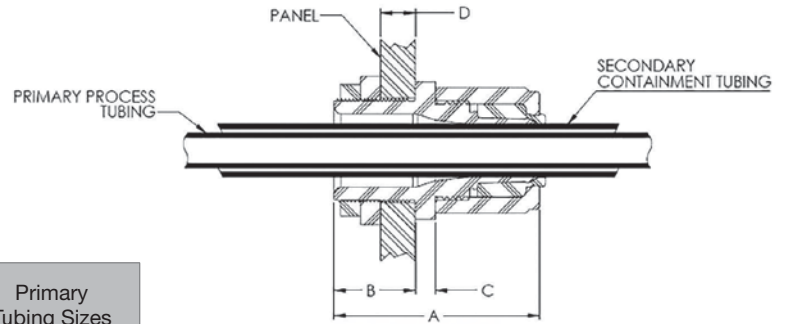
GrabLOC Double Containment Fittings (Non-Terminating)

PMBP series panel mount fittings allow the primary and secondary tubes to pass through the fitting body. This allows chemistry to flow back to the supply source if the primary tube leaks.

Part No.	Secondary Containment Tubing	A	B	C	D	Panel Mount Hole	Primary Tubing Sizes
PMBP8GLN-1	1/2	2.79	1.11	.29	.50	1-1/4	1/4
PMBP12GLN-1	3/4	3.01	1.13	.38	.50	1-1/2	1/2, 3/8, 1/4
PMBP16GLN-1	1	3.47	1.27	.38	.50	2	3/4, 1/2, 3/8, 1/4

Features

- PFA Fitting Body
- PVDF Nut



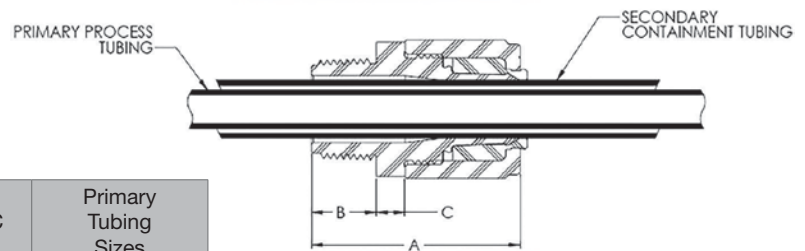
Tubing not included. Shown for clarity only.

MCBP series fittings are used on a box or cabinet that have a female NPT. The primary and secondary tubing pass through the fitting body. This allows chemistry to flow back to the supply source if the primary tube leaks.

Part No.	Secondary Containment Tubing	Male National Pipe Thread (MNPT)	A	B	C	Primary Tubing Sizes
MCBP8GL-12N-1	1/2	3/4	2.35	.67	.29	1/4
MCBP12GL-16N-1	3/4	1	2.73	.85	.38	1/2, 3/8, 1/4
MCBP16GL-20N-1	1	1-1/4	3.07	.86	.38	3/4, 1/2, 3/8, 1/4

Features

- PFA Fitting Body
- PVDF Nut
- MNPT Connection



Tubing not included. Shown for clarity only.

Part No.	Nut Size
DCW8-1	1/2
DCW12-1	3/4
DCW16-1	1
DCW20-1	1-1/4

GrabLOC Wrenches

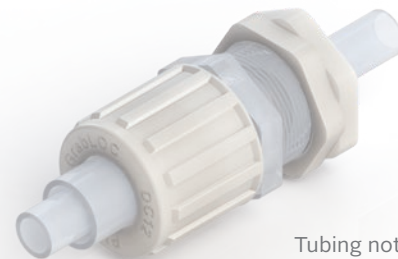
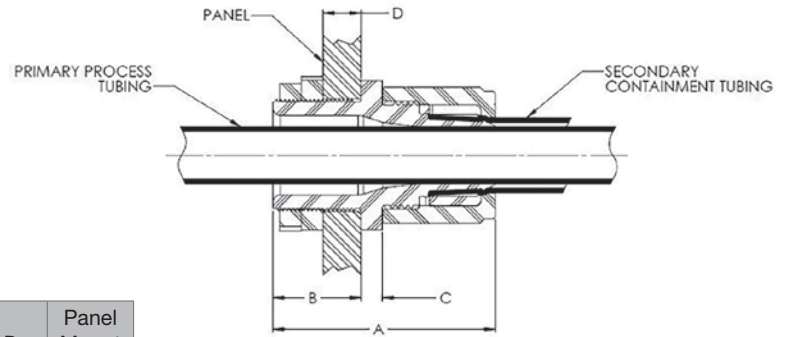
- Ratcheting action
- Allows nuts to be rapidly tightened.
- Fits easily in the palm of your hand.



GrabLOC Double Containment Fittings (Terminating)

PMDC series fittings are a conventional panel mount connection. The primary tubing passes through the fitting body with a simple push-on secondary tube terminating the tube connection. There is no flaring required of the secondary tube.

Part No.	Primary Process Tubing	Secondary Containment Tubing	A	B	C	D	Panel Mount Hole
PMDC48GLN-1	1/4	1/2	2.62	1.10	.29	.50	1
PMDC612GLN-1	3/8	3/4	2.79	1.11	.29	.50	1-1/4
PMDC812GLN-1	1/2	3/4	2.79	1.11	.29	.50	1-1/4
PMDC816GLN-1	1/2	1	3.36	1.57	.29	.50	1-1/2
PMDC1216GLN-1	3/4	1	3.01	1.13	.38	.50	1-1/2
PMDC1620GLN-1	1	1-1/4	3.47	1.27	.38	.50	2



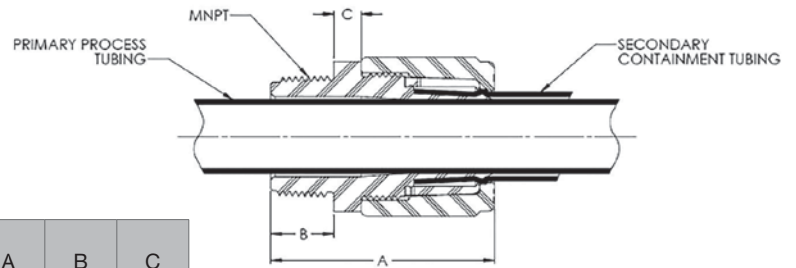
Tubing not included. Shown for clarity only.

Features

- PFA Fitting Body
- PVDF Nut

MCDC series fittings are used on a box or cabinet that have a female NPT. The primary tubing passes through the fitting body with a simple push-on secondary tubing terminating the tube connection. There is no flaring required of the secondary tube.

Part No.	Primary Process Tubing	Secondary Containment Tubing	Male National Pipe Thread (MNPT)	A	B	C
MCDC48GL-8N-1	1/4	1/2	1/2	2.17	.66	.29
MCDC612GL-12N-1	3/8	3/4	3/4	2.35	.67	.29
MCDC812GL-12N-1	1/2	3/4	3/4	2.35	.67	.29
MCDC816GL-16N-1	1/2	1	1	2.73	.85	.38
MCDC1216GL-16N-1	3/4	1	1	2.73	.85	.38
MCDC1620GL-20N-1	1	1-1/4	1-1/4	3.07	.86	.38



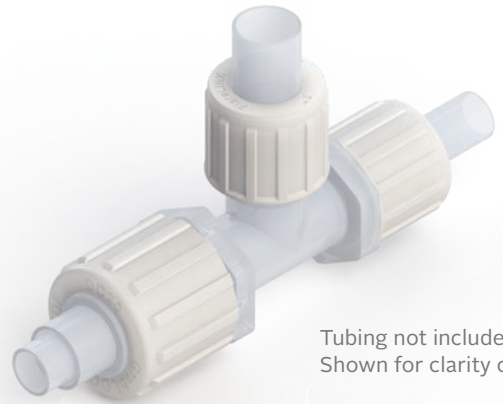
Tubing not included. Shown for clarity only.

Features

- PFA Fitting Body
- PVDF Nut
- MNPT Connection

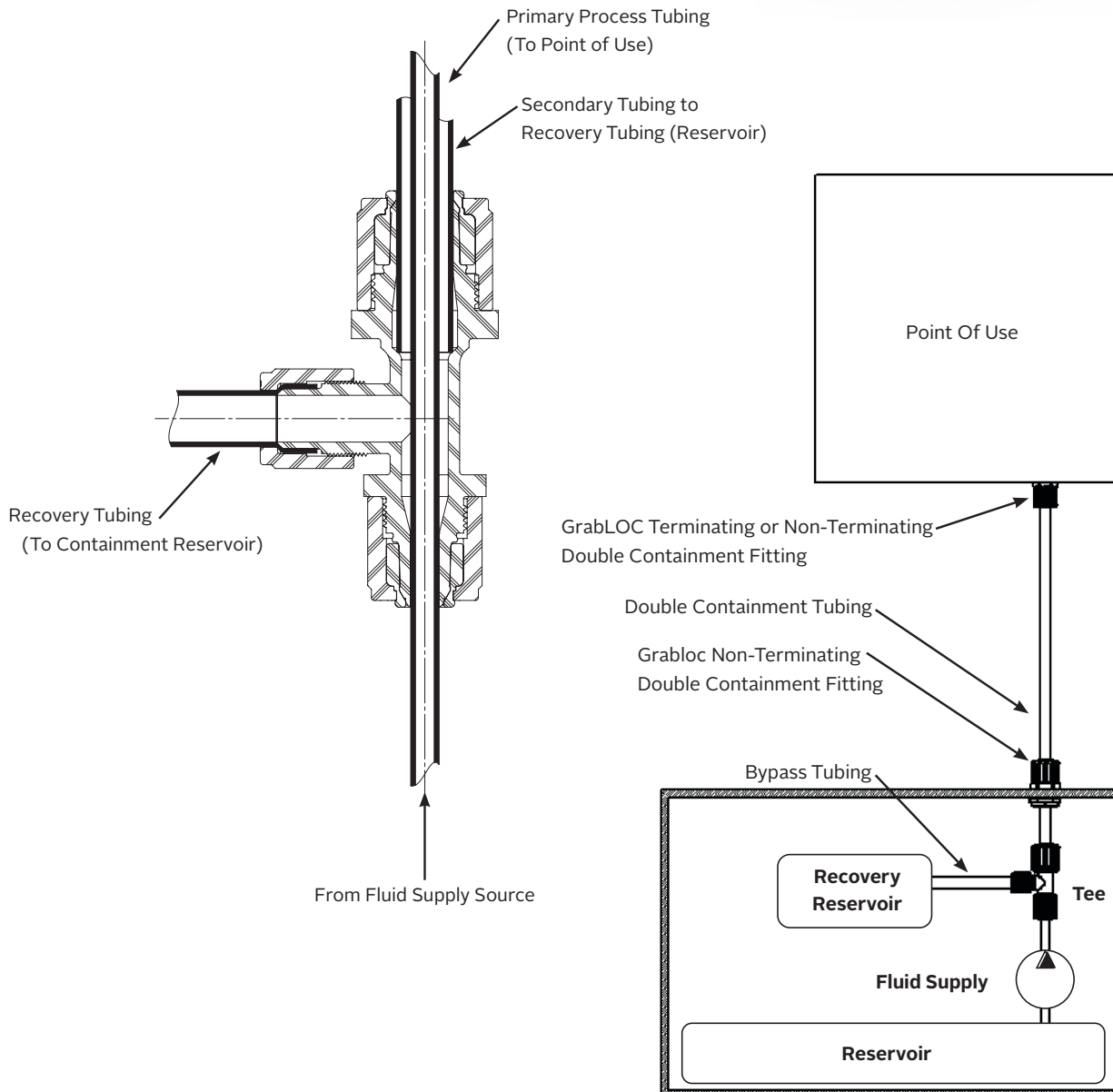
GrabLOC Double Containment Tee

Patent Pending



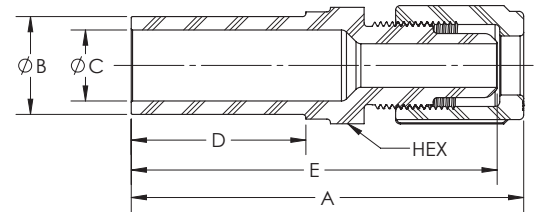
Tubing not included. Shown for clarity only.

Part No.	Secondary Containment Tubing	Recovery Tubing	Primary Process Tubing
GLT8BP-8-4BPN-1	1/2	1/2	1/4
GLT12BP-12-8BPN-1	3/4	3/4	1/2
GLT16BP-12-8BPN-1	1	3/4	1/2
GLT16BP-16-12BPN-1	1	1	3/4



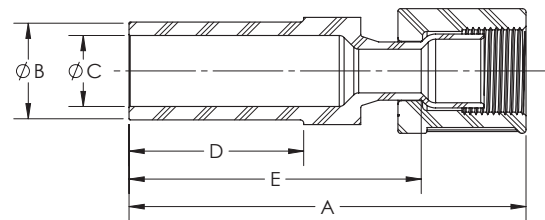
Weld Straight Connector
(Pipe x Male Flare)

PFA Part No.	Pipe Size	Tube Size	Orifice	A	B	C	D	E	Hex
WSC4P-4N-1	1/4	1/4	.15	2.02	.54	.35	.55	1.83	5/8
WSC4P-6N-1	1/4	3/8	.25	2.12	.54	.35	.55	1.89	13/16
WSC4P-8N-1	1/4	1/2	.35	2.21	.54	.35	.55	1.99	13/16
WSC8P-4N-1	1/2	1/4	.15	3.15	.84	.61	1.50	2.96	1
WSC8P-6N-1	1/2	3/8	.25	3.26	.84	.61	1.50	3.03	1
WSC8P-8N-1	1/2	1/2	.38	3.36	.84	.61	1.50	3.14	1
WSC8P-12N-1	1/2	3/4	.61	3.50	.84	.61	1.50	3.27	1-3/16
WSC12P-4N-1	3/4	1/4	.15	3.15	1.05	.81	1.50	2.96	1-3/16
WSC12P-6N-1	3/4	3/8	.25	3.26	1.05	.81	1.50	3.03	1-3/16
WSC12P-8N-1	3/4	1/2	.38	3.36	1.05	.81	1.50	3.14	1-3/16
WSC12P-12N-1	3/4	3/4	.63	3.50	1.05	.81	1.50	3.27	1-3/16
WSC12P-16N-1	3/4	1	.81	3.71	1.05	.81	1.50	3.44	1-7/16
WSC16P-8N-1	1	1/2	.38	2.63	1.32	1.05	1.50	2.41	1-7/16
WSC16P-12N-1	1	3/4	.63	3.50	1.32	1.03	1.50	3.27	1-7/16
WSC16P-16N-1	1	1	.88	3.71	1.32	1.03	1.50	3.44	1-7/16

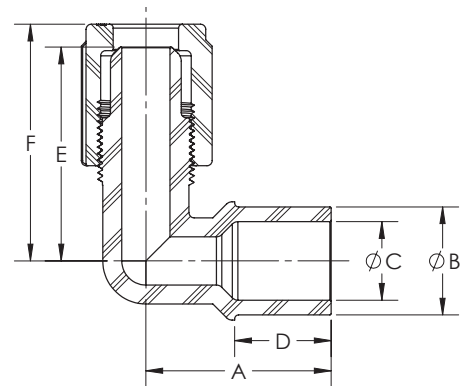


Weld Straight Connector (TightFLARE) Patented
(Pipe x Female Flare)

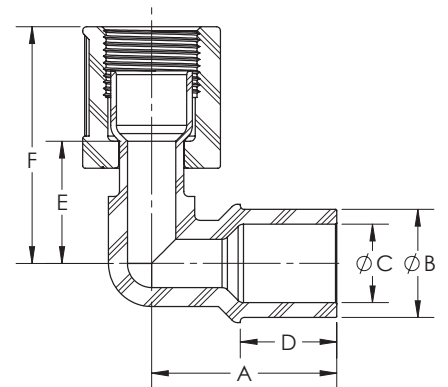
PFA Part No.	Pipe Size	TightFLARE	Orifice	A	B	C	D	E
WSC4P-4TN-1	1/4	1/4	.15	2.17	.54	.35	.55	1.40
WSC4P-6TN-1	1/4	3/8	.25	2.21	.54	.35	.55	1.36
WSC8P-6TN-1	1/2	3/8	.25	3.38	.84	.61	1.50	2.53
WSC8P-8TN-1	1/2	1/2	.38	3.42	.84	.61	1.50	2.52
WSC8P-12TN-1	1/2	3/4	.61	3.58	.84	.61	1.50	2.53
WSC12P-8TN-1	3/4	1/2	.38	3.42	1.05	.81	1.50	2.52
WSC12P-12TN-1	3/4	3/4	.63	3.58	1.05	.81	1.50	2.53
WSC12P-16TN-1	3/4	1	.81	4.02	1.05	.81	1.50	2.68
WSC16P-8TN-1	1	1/2	.38	3.42	1.32	1.03	1.50	2.52
WSC16P-12TN-1	1	3/4	.63	3.58	1.32	1.03	1.50	2.53
WSC16P-16TN-1	1	1	.88	4.02	1.32	1.03	1.50	2.68
WSC16P-20TN-1	1	1-1/4	1.03	4.44	1.32	1.03	1.50	3.14



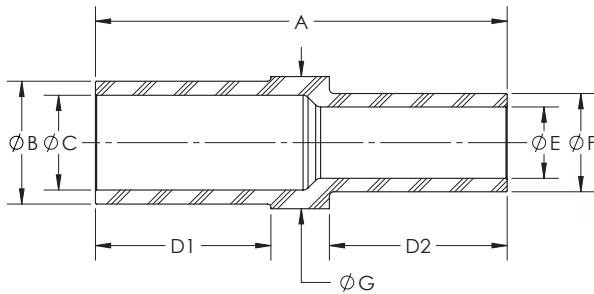
Weld Elbow Connector (Pipe x Male Flare)									
PFA Part No.	Pipe Size	Tube Size	Orifice	A	B	C	D	E	F
WEC4P-4N-1	1/4	1/4	.15	1.27	.54	.35	.75	1.47	1.66
WEC4P-6N-1	1/4	3/8	.25	1.27	.54	.35	.75	1.53	1.76
WEC8P-4N-1	1/2	1/4	.15	1.44	.84	.61	.75	1.47	1.66
WEC8P-6N-1	1/2	3/8	.25	1.44	.84	.61	.75	1.53	1.76
WEC8P-8N-1	1/2	1/2	.38	1.44	.84	.61	.75	1.65	1.87
WEC8P-12N-1	1/2	3/4	.61	1.50	.84	.61	.79	1.99	2.22
WEC12P-4N-1	3/4	1/4	.15	1.71	1.05	.81	.84	1.47	1.66
WEC12P-8N-1	3/4	1/2	.38	1.71	1.05	.81	.84	1.65	1.87
WEC12P-12N-1	3/4	3/4	.63	1.71	1.05	.81	.84	1.99	2.22
WEC12P-16N-1	3/4	1	.63	1.71	1.05	.81	1.05	2.43	2.70
WEC16P-8N-1	1	1/2	.38	1.72	1.32	1.03	.75	1.82	1.87
WEC16P-12N-1	1	3/4	.63	1.72	1.32	1.03	.75	1.99	2.22
WEC16P-16N-1	1	1	.88	1.72	1.32	1.03	.75	2.43	2.70



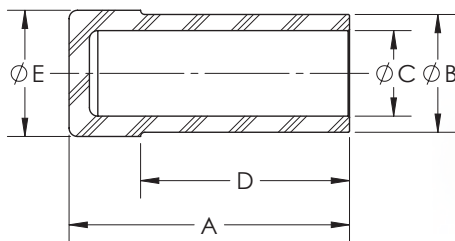
Weld Elbow Connector (TightFLARE) Patented (Pipe x Female Flare)									
PFA Part No.	Pipe Size	TightFLARE	Orifice	A	B	C	D	E	F
WEC4P-4TN-1	1/4	1/4	.15	1.27	.54	.35	.75	.87	1.64
WEC4P-6TN-1	1/4	3/8	.25	1.27	.54	.35	.75	.88	1.73
WEC8P-4TN-1	1/2	1/4	.15	1.44	.84	.61	.75	.87	1.64
WEC8P-6TN-1	1/2	3/8	.25	1.44	.84	.61	.75	.88	1.73
WEC8P-8TN-1	1/2	1/2	.38	1.44	.84	.61	.75	.94	1.84
WEC8P-12TN-1	1/2	3/4	.61	1.50	.84	.61	.79	1.08	2.13
WEC12P-8TN-1	3/4	1/2	.38	1.71	1.05	.81	.84	.94	1.84
WEC12P-12TN-1	3/4	3/4	.63	1.71	1.05	.81	.84	1.08	2.13
WEC12P-16TN-1	3/4	1	.81	1.71	1.05	.81	1.05	1.40	2.74
WEC16P-12TN-1	1	3/4	.63	1.72	1.32	1.03	.75	1.08	2.13
WEC16P-16TN-1	1	1	.88	1.72	1.32	1.03	.75	1.40	2.74



Weld Straight Reducer (Pipe x Pipe)										
PFA Part No.	Pipe Size	Orifice	A	B	C	D1	D2	E	F	G
WSR8P4P	1/2 x 1/4	.35	2.75	.84	.61	1.50	.75	.35	.54	.83
WSR12P4P	3/4 x 1/4	.35	2.75	1.05	.81	1.50	.75	.35	.54	1.11
WSR12P8P	3/4 x 1/2	.61	3.50	1.05	.81	1.50	1.50	.61	.84	1.11
WSR16P4P	1 x 1/4	.35	3.50	1.32	1.03	1.50	.75	.35	.54	1.41
WSR16P8P	1 x 1/2	.61	3.50	1.32	1.03	1.50	1.50	.61	.84	1.41
WSR16P12P	1 x 3/4	.81	3.50	1.32	1.03	1.50	1.50	.81	1.05	1.41

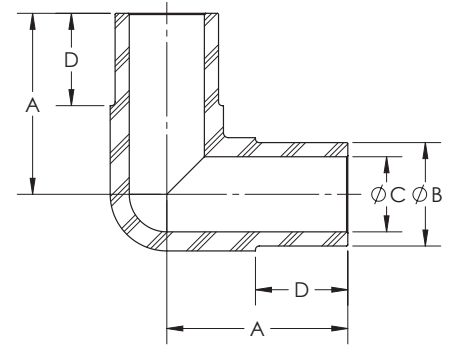


Weld Pipe Cap (Pipe)						
PFA Part No.	Pipe Size	A	B	C	D	E
WCAP4	1/4	.75	.54	.35	.55	.62
WCAP8	1/2	2.00	.84	.61	1.49	.90
WCAP12	3/4	2.01	1.05	.81	1.49	1.11
WCAP16	1	2.01	1.32	1.03	1.49	1.43



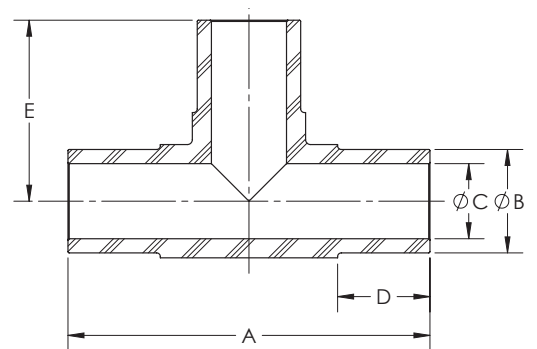
Weld Union Elbow (Pipe x Pipe)					
PFA Part No.	Pipe Size	A	B	C	D
WUE4P	1/4	1.27	.54	.35	.75
WUE8P	1/2	1.47	.84	.61	.75
WUE8PX	1/2	2.22	.84	.61	1.50
WUE12P	3/4	1.55	1.05	.81	.75
WUE12PX	3/4	2.30	1.05	.81	1.50
WUE16P	1	1.50	1.32	1.03	.75
WUE16PX	1	2.18	1.32	1.03	1.48

X = Extended

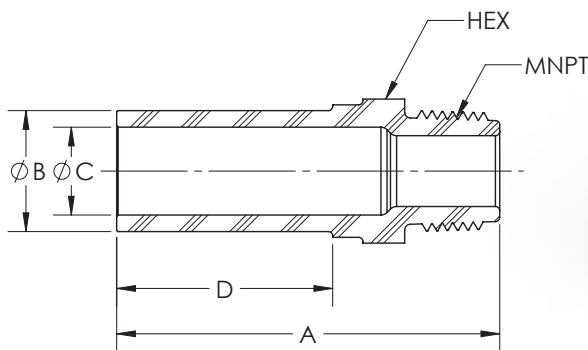


Weld Union Tee (Pipe x Pipe)						
PFA Part No.	Pipe Size	A	B	C	D	E
WUT4P	1/4	2.54	.54	.35	.75	1.27
WUT8P	1/2	2.94	.84	.61	.75	1.47
WUT8PX	1/2	4.44	.84	.61	1.50	2.22
WUT12P	3/4	3.10	1.05	.81	.75	1.55
WUT12PX	3/4	4.60	1.05	.81	1.50	2.30
WUT16P	1	3.00	1.32	1.03	.75	1.50
WUT16PX	1	4.36	1.32	1.03	1.48	2.18

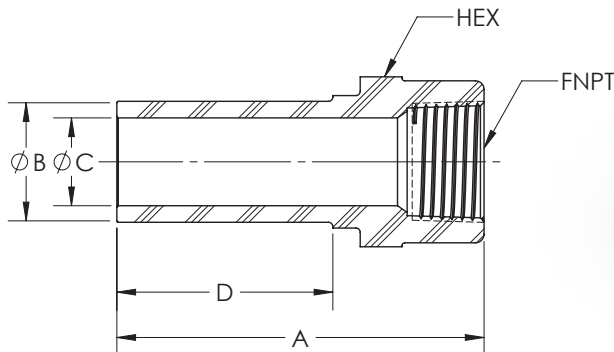
X = Extended



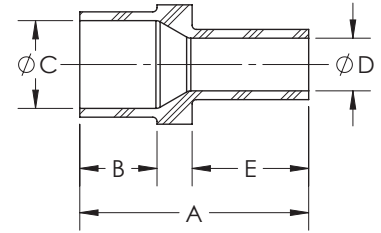
Weld Male Adapter (Pipe x MNPT)								
PFA Part No.	Pipe Size	MNPT Size	Orifice	A	B	C	D	Hex
WMA4P-4	1/4	1/4	.28	1.39	.54	.35	.55	5/8
WMA8P-6	1/2	3/8	.36	2.56	.84	.61	1.49	1
WMA8P-8	1/2	1/2	.51	2.66	.84	.61	1.49	1
WMA12P-8	3/4	1/2	.51	2.66	.84	.61	1.49	1-3/16
WMA12P-12	3/4	3/4	.66	2.68	1.05	.81	1.49	1-3/16
WMA16P-16	1	1	.94	2.85	1.32	1.03	1.49	1-7/16



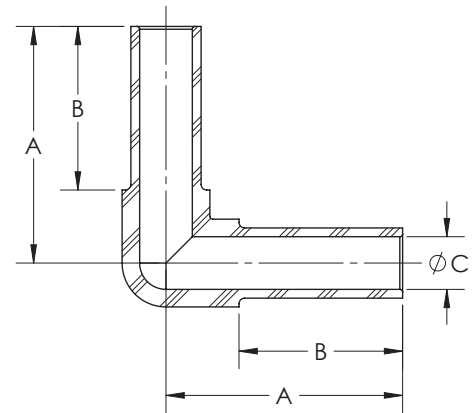
Weld Female Adapter (Pipe x FNPT)								
PFA Part No.	Pipe Size	FNPT Size	Orifice	A	B	C	D	Hex
WFA4P-4	1/4	1/4	.34	1.58	.54	.35	.75	3/4
WFA8P-6	1/2	3/8	.36	2.49	.84	.35	1.49	1
WFA8P-8	1/2	1/2	.51	2.56	.84	.61	1.49	1-3/16
WFA12P-12	3/4	3/4	.79	2.69	1.05	.81	1.49	1-7/16
WFA16P-16	1	1	.99	2.83	1.32	1.03	1.49	1-5/8



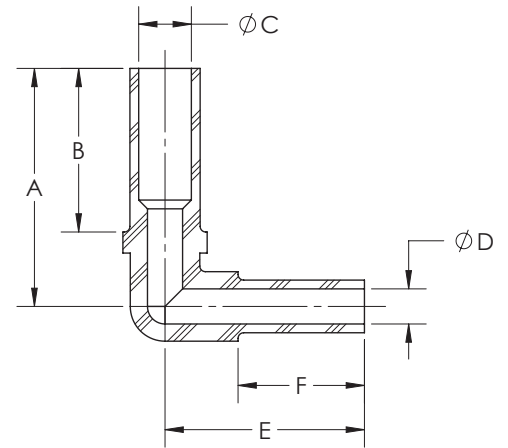
Weld Straight Reducer (Tube x Tube)						
PFA Part No.	Tube OD	A	B	C Orifice	D Orifice	E
WSR6TS4TS	3/8 x 1/4	1.63	.55	.25	.15	.83
WSR8TS4TS	1/2 x 1/4	1.63	.55	.38	.15	.83
WSR8TS6TS	1/2 x 3/8	1.53	.55	.38	.25	.73
WSR12TS4TS	3/4 x 1/4	1.63	.55	.63	.15	.83
WSR12TS6TS	3/4 x 3/8	1.53	.55	.63	.25	.73
WSR12TS8TS	3/4 x 1/2	1.63	.55	.63	.38	.83
WSR16TS4TS	1 x 1/4	1.58	.55	.88	.15	.78
WSR16TS6TS	1 x 3/8	1.53	.55	.88	.25	.73
WSR16TS8TS	1 x 1/2	1.63	.55	.88	.38	.83
WSR16TS12TS	1 x 3/4	1.54	.55	.88	.63	.74
WSR20TS16TS	1-1/4 x 1	1.66	.76	1.10	.88	.65



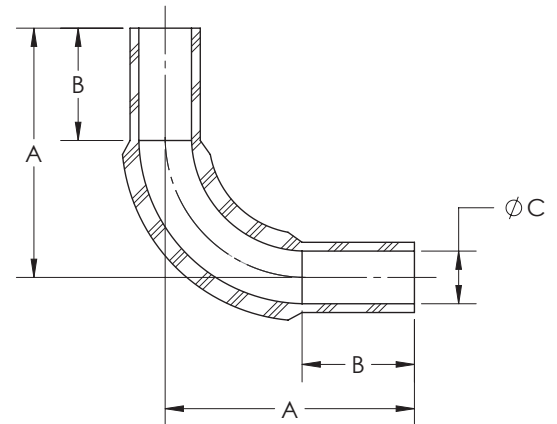
Weld Elbow (Tube x Tube)				
PFA Part No.	Tube OD	A	B	C Orifice
WE4TS	1/4	1.33	.81	.15
WE6TS	3/8	1.42	.90	.25
WE8TS	1/2	1.68	1.16	.38
WE12TS	3/4	1.87	1.18	.63
WE16TS	1	2.31	1.36	.88
WE20TS	1-1/4	2.56	1.62	1.10



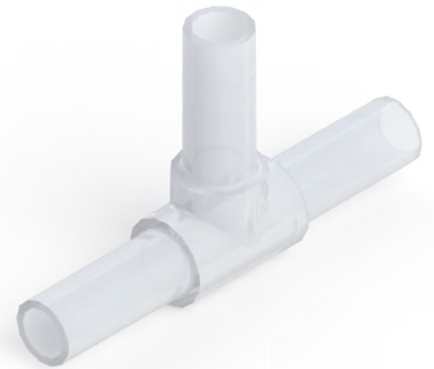
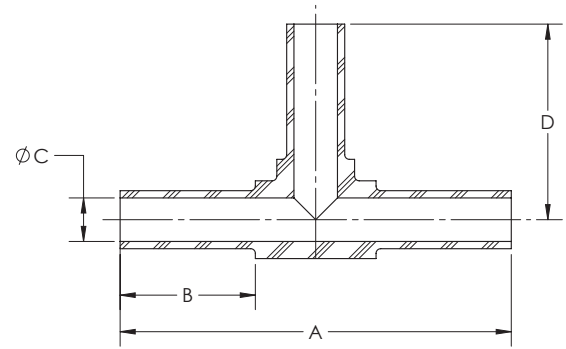
Weld Elbow Reducer (Tube x Tube)							
PFA Part No.	Tube OD	A	B	C Orifice	D Orifice	E	F
WE6TS4TS	3/8 x 1/4	1.42	.90	.25	.15	1.33	.81
WE8TS4TS	1/2 x 1/4	1.68	1.16	.38	.15	1.33	.81
WE8TS6TS	1/2 x 3/8	1.68	1.16	.38	.25	1.42	.90
WE12TS8TS	3/4 x 1/2	1.87	1.18	.63	.38	1.68	1.16
WE16TS8TS	1 x 1/2	2.31	1.36	.88	.38	1.68	1.16
WE16TS12TS	1 x 3/4	2.31	1.36	.88	.63	1.87	1.18



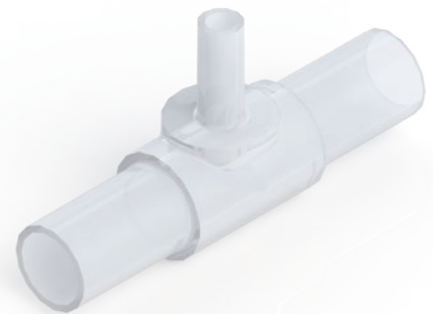
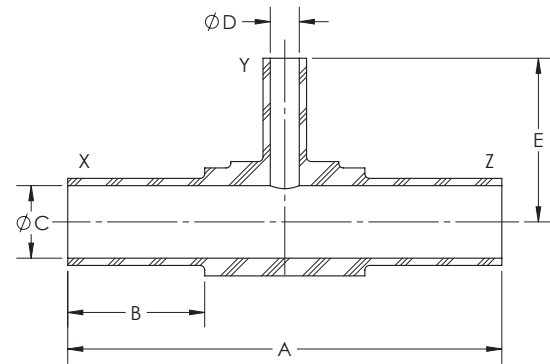
Weld Elbow Sweep (Tube x Tube)				
PFA Part No.	Tube OD	A	B	C Orifice
WES4TS	1/4	1.41	.60	.15
WES6TS	3/8	1.61	.70	.25
WES8TS	1/2	1.79	.80	.38
WES12TS	3/4	2.17	.92	.63
WES16TS	1	2.75	1.08	.88



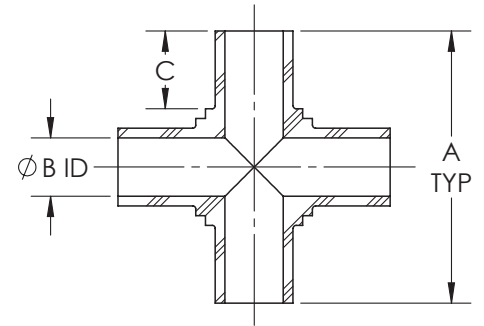
Weld Tee (Tube x Tube x Tube)					
PFA Part No.	Tube OD	A	B	C Orifice	D
WT4TS	1/4	2.66	.81	.15	1.33
WT6TS	3/8	2.82	.90	.25	1.41
WT8TS	1/2	3.37	1.16	.38	1.68
WT12TS	3/4	3.74	1.18	.63	1.87
WT16TS	1	4.62	1.36	.88	2.31
WT20TS	1-1/4	5.12	1.62	1.1	2.56



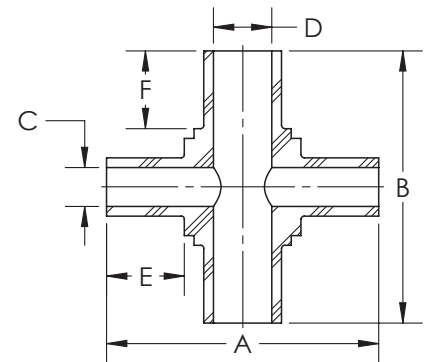
Weld Tee Reducer (Tube x Tube x Tube)								
PFA Part No.	X OD	Y OD	Z OD	A	B	C Orifice	D Orifice	E
WT6TS-4TS-6TS	3/8	1/4	3/8	2.82	.90	.25	.15	1.33
WT8TS-4TS-8TS	1/2	1/4	1/2	3.37	1.16	.38	.15	1.33
WT8TS-6TS-8TS	1/2	3/8	1/2	3.37	1.16	.38	.25	1.41
WT12TS-4TS-12TS	3/4	1/4	3/4	3.74	1.18	.63	.15	1.33
WT12TS-6TS-12TS	3/4	3/8	3/4	3.74	1.18	.63	.25	1.41
WT12TS-8TS-12TS	3/4	1/2	3/4	3.74	1.18	.63	.38	1.68
WT16TS-8TS-16TS	1	1/2	1	4.62	1.36	.88	.38	1.68
WT16TS-12TS-16TS	1	3/4	1	4.62	1.36	.88	.63	1.87
WT20TS-16TS-20TS	1-1/4	1	1-1/4	5.12	1.62	1.10	.88	2.56



Weld Cross (All Tube)				
PFA Part No.	Tube OD	A	B	C
WX4TS	1/4	1.75	.16	.50
WX6TS	3/8	1.75	.25	.50
WX8TS	1/2	1.75	.38	.50
WX20TS	1-1/4	2.64	1.10	.63



Weld Cross Reducer (All Tube)							
PFA Part No.	Tube OD	A	B	C	D	E	F
WX6TS4TS	3/8 X 1/4	1.75	1.75	.25	.16	.50	.50
WX8TS6TS	1/2 X 3/8	1.75	1.75	.38	.25	.50	.50
WX12TS8TS	3/4 X 1/2	2.00	2.00	.63	.38	.49	.49
WX16TS12TS	1 X 3/4	2.06	2.20	.88	.63	.45	.51



Flare Link™

TUBE ASSEMBLY SYSTEM

The versatile Tube Assembly System is ideal for both in-house production and job site flaring.

The patented heaters apply uniform heat around the tube to a controlled and repeatable length. Once the heat cycle is complete, the tube end is installed over the forming mandrel. The mandrels are engineered to extract heat evenly from the flared tube end. Applying controlled, uniform heat and extracting it evenly creates a stress-free “formed” flared end. This gives end users the flexibility to flare their tubes days in advance or quickly and consistently at the job site.



KEY FEATURES

- Versatile flaring system, ideal for in-house production and job site flaring.
- Creates precise, concentric, repeatable tube flare ends.
- Automated touchscreen interface with preprogrammed tube settings.
- 15' long heater cord allows flaring in hard-to-reach places.
- Exceptionally user-friendly.

Flare Link Tube Assembly System Patented	
Input Voltage	Part No.
110V	MTF416-110-A
220V	MTF416-220-A



Flare Link™

TORQUE WRENCH SYSTEM

Fastens PFA and PVDF nuts to the required torque value which ensures leak-free flared fitting assemblies.

KEY FEATURES

- Wrenches are calibrated to preset torque values based on nut size.
- Wrench claw clicks over when required torque value is reached.
- Ratcheting action allows the nut to be rapidly tightened, making jobs easier and faster.
- Wrenches fit in the palm of a hand easily allowing use in hard to reach places.
- Available for PFA and PVDF nuts.
- U.S. and foreign patents pending.

Flare Link Torque Wrenches Patent Pending		
Nut Size	PFA Part No.	PVDF Part No.
1/4"	TFW4-3	TFW4-1
3/8"	TFW6-3	TFW6-1
1/2"	TFW8-3	TFW8-1
3/4"	TFW12-3	TFW12-1
1"	TFW16-3	TFW16-1
Complete Set <i>(All sizes listed above)</i>	TFWS-3	TFWS-1

Color coded handles: **Blue** for PFA **Red** for PVDF



RATCHETING ACTION

Rapidly tighten nuts to make assemblies easier and faster.



CLICK OVER FEATURE

The claw clicks over when wrench reaches required torque value.

TORQUE WRENCH SYSTEM

OPERATING INSTRUCTIONS

STEP 1

- Make sure claw is in start position, as shown below in picture A.
- Align teeth on claw with splines on nut, as shown here in Step 1.
- Grip handle firmly and rotate clockwise to tighten nut.



STEP 2

- Rotate handle in a counter clockwise direction, as shown here in Step 2.
- Grip next set of splines with claw and rotate clockwise.
- Continue steps 1 and 2 until claw clicks over, as shown in Step 3 and picture B.

Proprietary design allows quick ratchet action.
(Counter Clockwise Rotation)



STEP 3

- Snap claw back to its start position, as shown in picture A.
- Tighten nut one more time until claw clicks over.

Note: Nut must be tightened twice with wrench.



PICTURE A

START
POSITION



PICTURE B

FINISH,
CLICK OVER,
POSITION



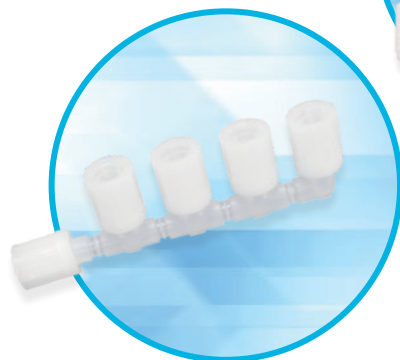
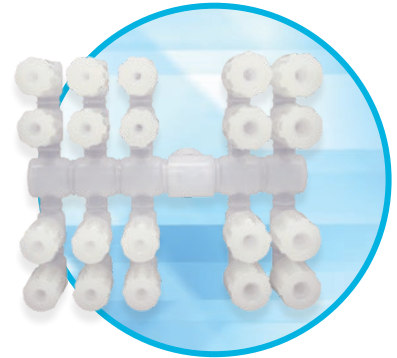
Flare Link™

WELDED SYSTEMS FABRICATED MANIFOLDS

Rapid turnaround from your concept to finished, welded manifold.

From concept to CAD model, fabrication and delivery, Fit-Line Global provides a turn-key solution for fast turnaround of customer-specified manifolds. With over 30 years of fluoropolymer and injection molding expertise, Fit-Line Global's proprietary, patented methods reduce the time needed to create custom manifolds for your application needs.

Manufactured from high purity virgin PFA and PVDF resins in dedicated molds and process equipment, Fit-Line Global's custom manifolds are designed to maximize throughput of aggressive chemistry and ultra-pure water applications, they are available from 1/4 inch to 1-1/2 inch in diameter.





U.S. DESIGNED & MANUFACTURED SOLUTIONS FOR FLUID PROCESSING APPLICATIONS



At Fit-Line Global, we engineer and supply the industry's most popular fitting configurations. That means when you need a fitting, it's available and ready to ship, allowing you to stay up and running and avoid costly delays.

From standard fittings and patented tube flaring systems, to customized designs that are developed, fabricated and tested in our state-of-the-art facility, Fit-Line Global has the expertise and the know-how to ensure you get the most reliable, dependable components delivered on time, all the time. At our core, we're a company of problem solvers.

Our employees are comprised of some of the best U.S. mechanical engineers, fabricators, senior toolmakers and process technicians with the curiosity, talent, insights and ideas to create the most advanced, dependable and leak-free solutions for all of your fluid processing needs.



FULL PRODUCT AND PACKAGING TRACEABILITY. ZERO COMPROMISES.

Having our materials, manufacturing and packaging in a fully traceable, closed-source system ensures the highest level of protection, component quality and contamination control.

That's why Fit-Line Global employs our own proprietary cleaning and packaging processes—including our five stage component cleaning and rinsing procedure—all conducted in our very own Class 1000 Clean Room.

And when it comes to packaging, all of our fittings are double polyethylene bagged per SEMI-F57 standards. This will meet and exceed your exacting demands. Anything else simply won't do.

DEDICATED TO YOU

Being an ISO 9001:2015 certified company means that we consistently provide products and services that meet customer and regulatory requirements and demonstrate continuous improvement. The certification acts as an assurance that our products are being manufactured in a facility that meets the requirements of ISO a well-known quality management system standard, and is reviewed yearly by an independent auditor.



WARRANTY

Fit-Line Global warrants to the BUYER that any product sold will be free from defects in material or workmanship for a period of twelve (12) months from the date of shipment. If during the warranty period, the BUYER notifies Fit-Line Global of a defect, Fit-Line Global shall, at its option, repair or replace the defective material or workmanship. OTHER THAN AS EXPRESSLY STATED HEREIN, FIT-LINE GLOBAL MAKES NO OTHER WARRANTIES, EXPRESS OR IMPLIED, REGARDING THE PRODUCTS AND/OR SERVICES PROVIDED HEREUNDER, AND EXPRESSLY DISCLAIMS THE IMPLIED WARRANTIES OF NON-INFRINGEMENT, MERCHANTABILITY AND FITNESS FOR A PARTICULAR PURPOSE. The BUYER shall bear the cost of freight to and from Fit-Line Global's plant. BUYER agrees to accept the limits of liability as expressed in this statement to the exclusion of any and all provisions regarding statements of liability on the BUYER's own invoices, purchase orders and/or other documents.

GOODS

All descriptions and illustrations contained in Fit-Line Global's catalog, brochures, price lists, website, advertisements and all specifications, drawings and any other documents contained therein submitted with any QUOTATION to BUYER or otherwise communicated to BUYER are intended merely to present a general idea of GOODS and SERVICES (GOODS) described therein and nothing contained in any of them shall form any part of the contract.



2901 Tech Center Drive, Santa Ana, CA 92705

Phone: (714) 549-9091

Email: info@Fit-LineGlobal.com

Web: Fit-LineGlobal.com